

JET

JWL-1221VS **Wood Lathe**

JWL-1221VS-M..719200M..1~230V,50Hz

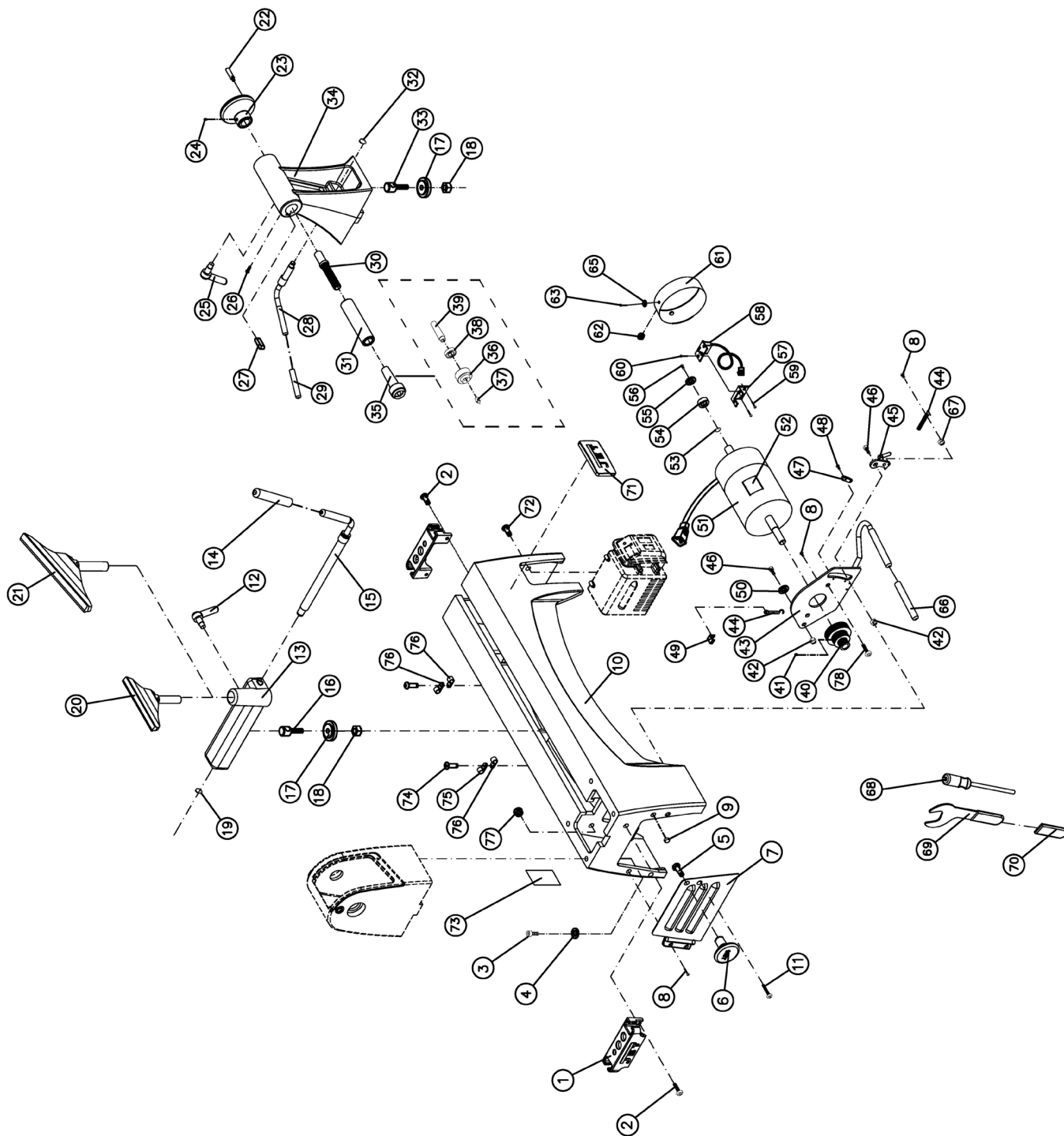
PARTS LIST

Walter Meier (Tool) AG
Tämperlistr. 5
CH-8117 Fällanden
Switzerland
Phone +41 44 806 47 48
Fax +41 44 806 47 58
jetinfo.eu@waltermeier.com
www.jettools.com



P-719200M 2013 - 09

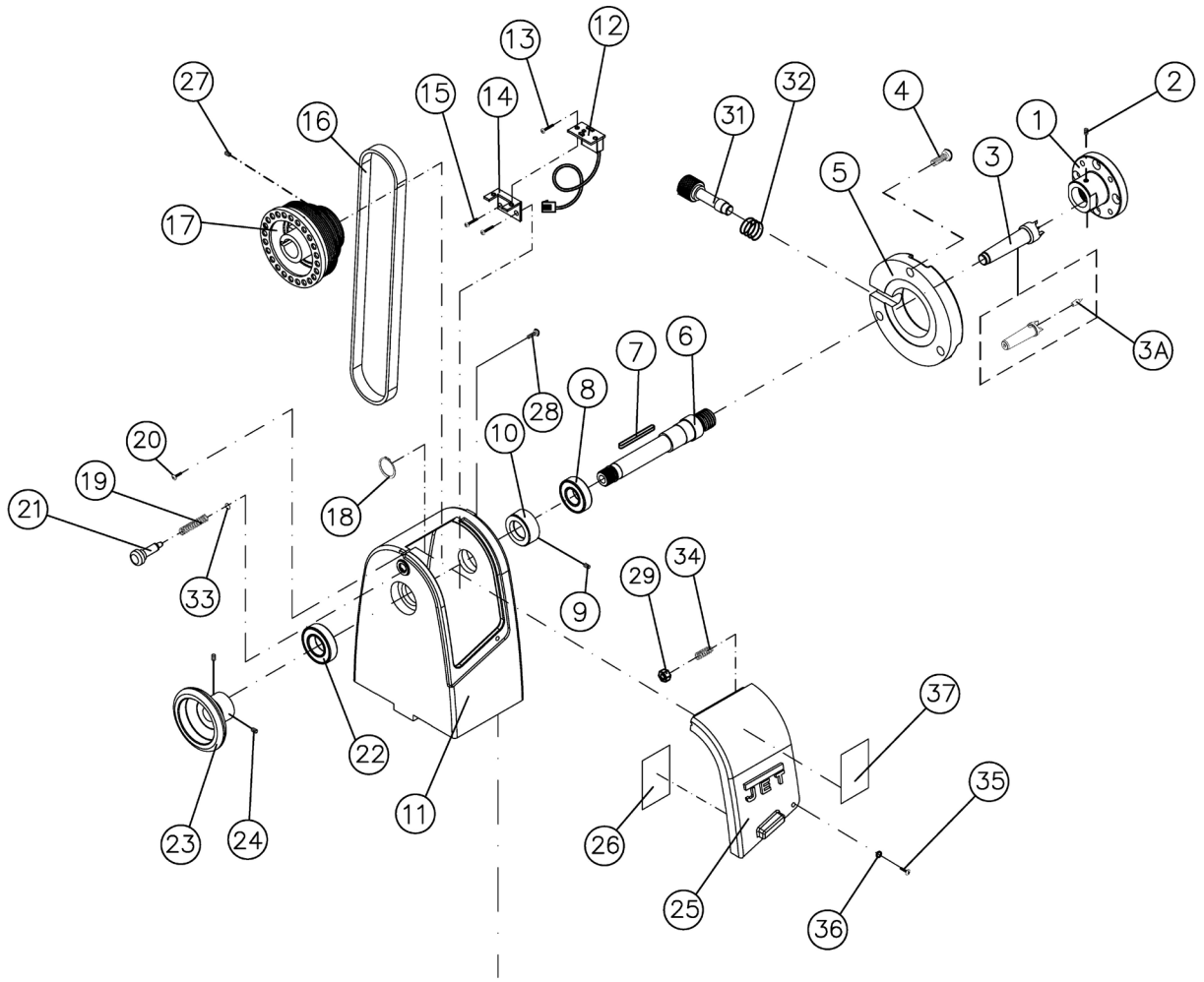
Bed Assembly – Exploded View



Bed Assembly – Parts List

Index No	Part No	Description	Size	Qty
1	JWL1221VS-201	Tool Caddy		2
2	TS-0255021	Socket Head Button Screw	5/16"-18x1/2"	4
3	TS-0207071	Socket Head Cap Screw	1/4"-20x1-1/4"	4
4	TS-0720071	Lock Washer	1/4"	4
5	TS-1490021	Hex Cap Screw	M8x16	1
6	6295717	Knob		1
7	JWL1221VS-207E	Motor Pulley Access Door		1
8	TS-081C022	Pan Head Screw	#10-24X3/8"	3
9	JWL1221VS-209	Magnet		1
10	JWL1221VS-210E	Bed		1
11	TS-081C022	Pan Head Screw	#10-24x3/8	1
	JWL1221VS-TBA	Toolrest Base Assembly (includes #12 thru #19)		1
12	JML-59A	Lock Handle Assembly		1
13	JWL1221VS-213	Toolrest Base		1
14	JWL1221VS-214	Rubber Cover		1
15	JWL1221VS-215	Eccentric Rod		1
16	JWL1221VS-216	Toolrest Clamp Bolt		1
17	JML-44	Clamp		2
18	JML-81	Hex Nut		2
19	JWL1221VS-219	C-Ring	STW-14	1
20	JWL1220-142	Toolrest	6"	1
21	JWL1220-142A	Toolrest	10"	1
	JWL1221VS-TA	Tailstock Assembly (includes # 17, 18, 22 thru #34)		1
	JWL1221VS-THA	Tailstock Handwheel Assembly (includes #22 thru #24)		1
22	JWL1221VS-222	Handle		1
23	JWL1221VS-223	Handwheel		1
24	TS-0267021	Set Screw	1/4"-20x1/4"	2
25	JML-59A	Lock Handle Assembly, Tailstock		1
26	JWL1221VS-115	Socket Head Button Screw	#10-32x5/8"	1
27	JWL1221VS-227	Key		1
28	JML-58	Eccentric Rod, Tailstock		1
29	JWL1221VS-229	Rubber Cover		1
30	JWL1221VS-230	Lead Screw		1
31	JWL1221VS-231	Quill		1
32	JML-63	C-Ring	STW-10	1
33	JWL1221VS-233	Tailstock Clamp Bolt		1
34	JWL1221VS-234	Tailstock		1
35	708331	Live Center Assembly (includes #36 thru #39)		1
36	JML-52	Live Center Head		1
37	JML-52A	Center Point for Live Center		1
38	BB-6002ZZ	Ball Bearing	6002ZZ	1
39	JML-54	Live Center Shaft		1
40	JWL1221VS-240	Motor Pulley		1
41	6295796	Nylon Insert Socket Set Screw	1/4"-20x3/8"	2
42	TS-0640081	Nylon Nut	5/16"-18	2
43	JWL1221VS-243	Motor Plate		1
44	JWL1221VS-244	Spring		2
45	JWL1221VS-245	Ratchet Key		1
46	TS-0051061	Hex Cap Screw	5/16"-18x1-1/4"	2
47	JWL1221VS-247	Rack		1
48	TS-081C011	Pan Head Screw	#10-24x1/4"	4
49	JWL1221VS-249	Hook		1
	JWL1221VS-MASS	Motor Assembly with Sensor set (includes #51 thru #65)		1
51	JWL1221VS-251E	DC Motor (includes #51 & #52)		1
52	JWL1221VS-252E	Motor Label		1
53	JWL1221VS-253	C-Ring	STW-17	1
54	JWL1221VS-254	Special Magnet Collar		1
55	JWL1221VS-255	Washer		1
56	TS-1533032	Pan Head Screw	M5-0.8Px10	1

Index No	Part No	Description	Size	Qty
57	JWL1221VS-257	Bracket		1
58	JWL1221VS-258	Sensor, Motor		1
59	TS-1533042	Pan Head Screw	M5-0.8Px12	2
60	TS-2283102	Pan Head Screw	M3-0.5Px10	2
61	JWL1221VS-261	Motor Cover		1
62	JWL1221VS-262	Strain Relief		1
63	TS-2284082	Pan Head Screw	M4x8	3
64	JWL1221VS-264	Motor Carbon Brush with Cap (not shown)		2
65	TS-0733031	External Tooth Lock Washer	#10	2
66	JWL1221VS-266	Rubber Cover		1
67	TS-0560071	Hex Nut	#10-24	1
68	JWL1221VS-268	Knockout Rod		1
69	JWL1221VS-269E	Wrench (includes #70)		1
70	JWL1221VS-270	Rubber Cover		1
71	JETPLATE-9238	JET Nameplate	92x38mm	1
72	TS-081C072	Pan Head Screw	#10-24x1-14"	2
73	JWL1221VS-273E	ID Label		1
74	TS-0253031	Socket Head Button Screw	#10-24x1/2"	2
75	JWL1221VS-275	Clamp	3/8"	1
76	JWL1221VS-276	Clamp	1/2"	2
77	JWL1221VS-277	Cord Snap Ring		1
78	TS-0254021	Socket Head Button Screw	1/4-20 x 1/2"	2

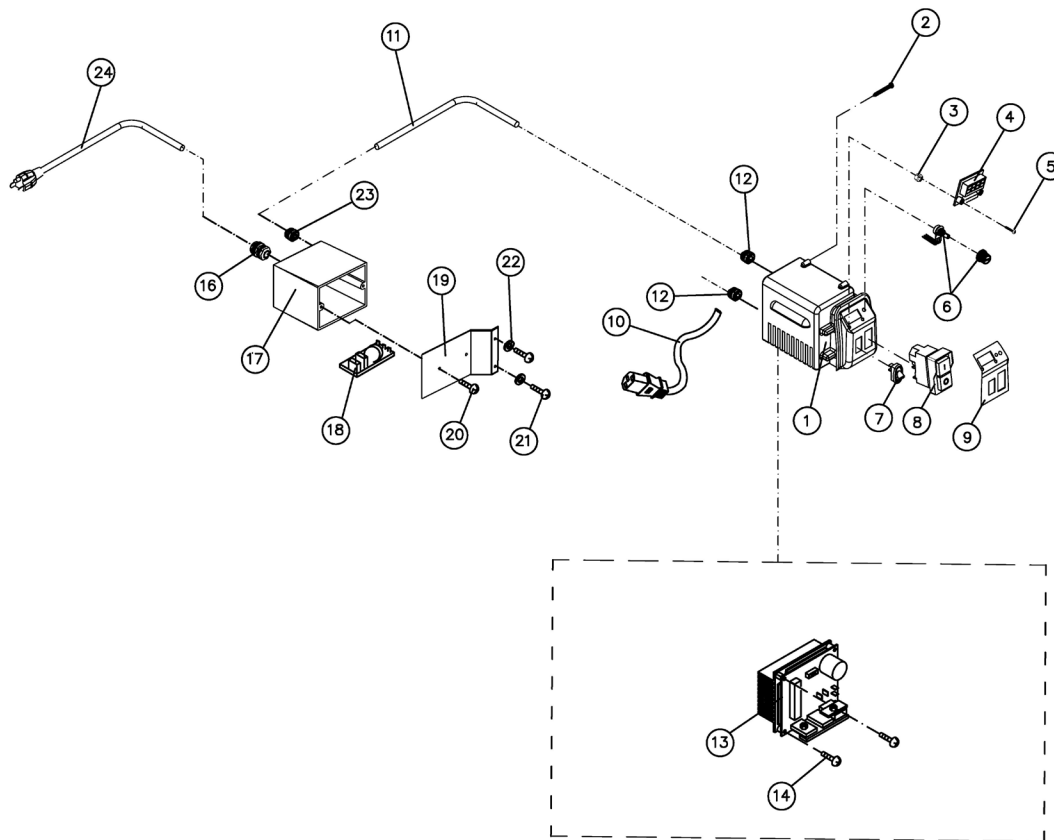


Headstock Assembly – Exploded View

Headstock Assembly – Parts List

Index No	Part No	Description	Size	Qty
	JWL1221VS-HAE	Headstock Assembly (<i>includes #4 thru #37</i>)		1
1	6294736E	Faceplate	3"	1
2	6295796	Nylon Insert Socket Set Screw	1/4-20x3/8"	2
3	JWL1642-102	Spur Center	MT2	1
3A	JML-3A	Center Point for Spur Center		1
4	TS-0253031	Socket Head Button Screw	#10-24X1/2"	3
5	JWL1221VS-105A	Cover(<i>serial #1302315 and higher</i>)		1
6	JWL1221VS-106E	Spindle		1
7	JML-5	Key	5x5x25mm	1
8	BB-6005VV	Ball Bearing	6005VV	1
9	TS-1521021	Set Screw	M4*0.7Px6	1
10	JWL1221VS-110	Spindle Sensor Collar		1
11	JWL1221VS-111E	Headstock		1
12	JWL1221VS-112	Sensor, Headstock		1
13	TS-2283102	Pan Head Screw	M3x0.5Px10	2
14	JWL1221VS-114	Bracket		1
15	JWL1221VS-115	Socket Head Button Screw	#10-32x5/8"	2
16	JWL1221VS-116	V-Belt	310J	1
17	JWL1221VS-117	Spindle Pulley		1
18	6295710	C-ring	S-25	1
19	JML1014-188	Spring		1
20	JWL1221VS-120	Pan Head Screw	M3x40	1
21	JML1014-189	Index Pin		1
22	BB-6004VV	Ball Bearing	6004VV	1
23	JWL1221VS-123	Handwheel		1
24	TS-0267021	Set Screw	1/4"-20x1/4"	2
25	JWL1221VS-125E	Pulley Access Door		1
26	JWL1221VS-126E	Speed Label		1
27	TS-0267041	Set Screw	1/4"-20x3/8"	2
28	JWL1221VS-128	Pan Head Screw	M3x50	1
29	4224B-179	Nylon Nut	M3	2
31	JWL1221VS-131A	Spindle Lock Pin		1
32	JWL1221VS-132	Spring		1
33	JML1014-187	C-Ring	STW-9	1
34	JWL1221VS-134	Spring		1
35	TS-081C042	Screw	#10-24x5/8"	1
36	JWL1221VS-136E	O-Ring		1
37	JWL1221VS-137E	Warning Label		1

Controller Assembly – Exploded View



Controller Assembly – Parts List

Index No	Part No	Description	Size	Qty
	JWL1221VS-CAE.....	Controller Assembly (<i>includes #1 thru #14</i>).....		1
1	JWL1221VS-301E.....	Switch Box.....		1
2	JWL1221VS-302.....	Tapping Screw.....	M3x19	4
3	TS-1540011.....	Hex Nut.....	M3	2
4	JWL1221VS-304.....	Digital Readout.....		1
5	JWL1221VS-305.....	Pan Head Screw.....	M3x20	2
6	JWL1221VS-306.....	Control Potentiometer Assembly.....		1
7	4224B-148.....	Switch Fwd / Rev.....		1
8	72-2004E.....	Magnetic Switch.....		1
9	JWL1221VS-309E.....	Control Panel Label.....		1
10	JWL1221VS-310.....	Motor Cord, Female.....		1
11	JWL1221VS-324E.....	Cord.....		1
12	JWL1221VS-320.....	Strain Relief.....	6B3-2	2
13	JWL1221VS-317AE..	Circuit Board Assembly.....		1
14	JWL1221VS-321.....	Tapping Screw.....		4
16	JWL1221VS-316E.....	Strain Relief.....	PG9	1
17	JML-69.....	EMC box.....		1
18	JWL1221VS-318E.....	EMC.....		1
19	JWL1221VS-319E.....	Plate.....		1
20	TS-081C022.....	Tapping Screw.....		2
21	TS-081C032.....	Pan Head Screw.....	#10-24x1/2"	2
22	TS-069204.....	Flat Washer.....	#10	2
23	JML-70.....	Strain Relief.....	SB6N-4	1
24	JWL1221VS-311E.....	Power Cord.....		1

JWL-1221VS-M 719200M.....1~230V, 50Hz

230/50/1

	colour of strands	Litzenfarben	couleur des cordons
BK	black	schwarz	noir
WH	white	weiß	blanc
BU	blue	blau	bleu
YE	yellow	gelb	jaune
RD	red	rot	rouge
BN	brown	braun	brun
GY	grey	grau	gris
GNYE	green-yellow	grün-gelb	vert-jaune
OG	orange	orange	orange
VT	violet	violett	violet

	meaning of symbol	Bedeutung der Zeichen	interprétation
M	motor	Motor	moteur
S	switch	Schalter	interrupteur
C	condenser	Kondensator	condensateur
E	electronic unit	Elektronik-Einheit	unité électronique
F	fuse	Sicherung	fusible
RS	reversing switch	Drehrichtungsschalter	comm. droite/gauche
CS	centrifugal switch	Fliehkraftschalter	déclencheur centrifuge
OL	overload cut-off	Überlastschuttschalter	déclencheur surcharge

