

JET

JPT-260

PLANER & THICKNESSER

JPT-260-M.....10000289M.....230/50/1

JPT-260-T.....10000289T.....400/50/3

PARTS LIST ERSATZTEILLISTE LISTE DE PIECES

JPW (Tool) AG

Tämperlistrasse 5

CH-8117 Fällanden

Switzerland

Phone +41 44 806 47 48

Fax +41 44 806 47 58

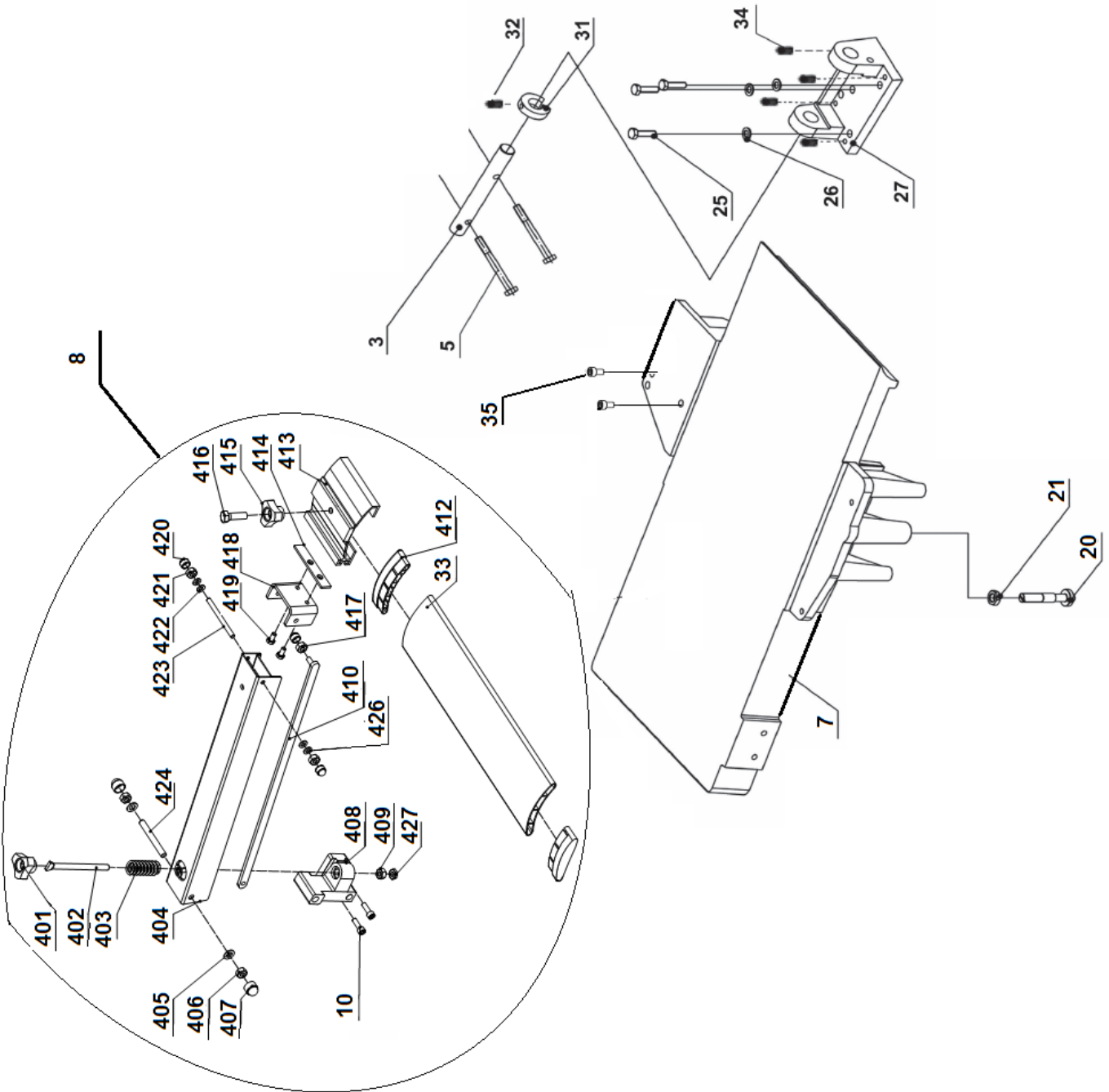


www.jettools.com

P-10000289M/T

2015-05

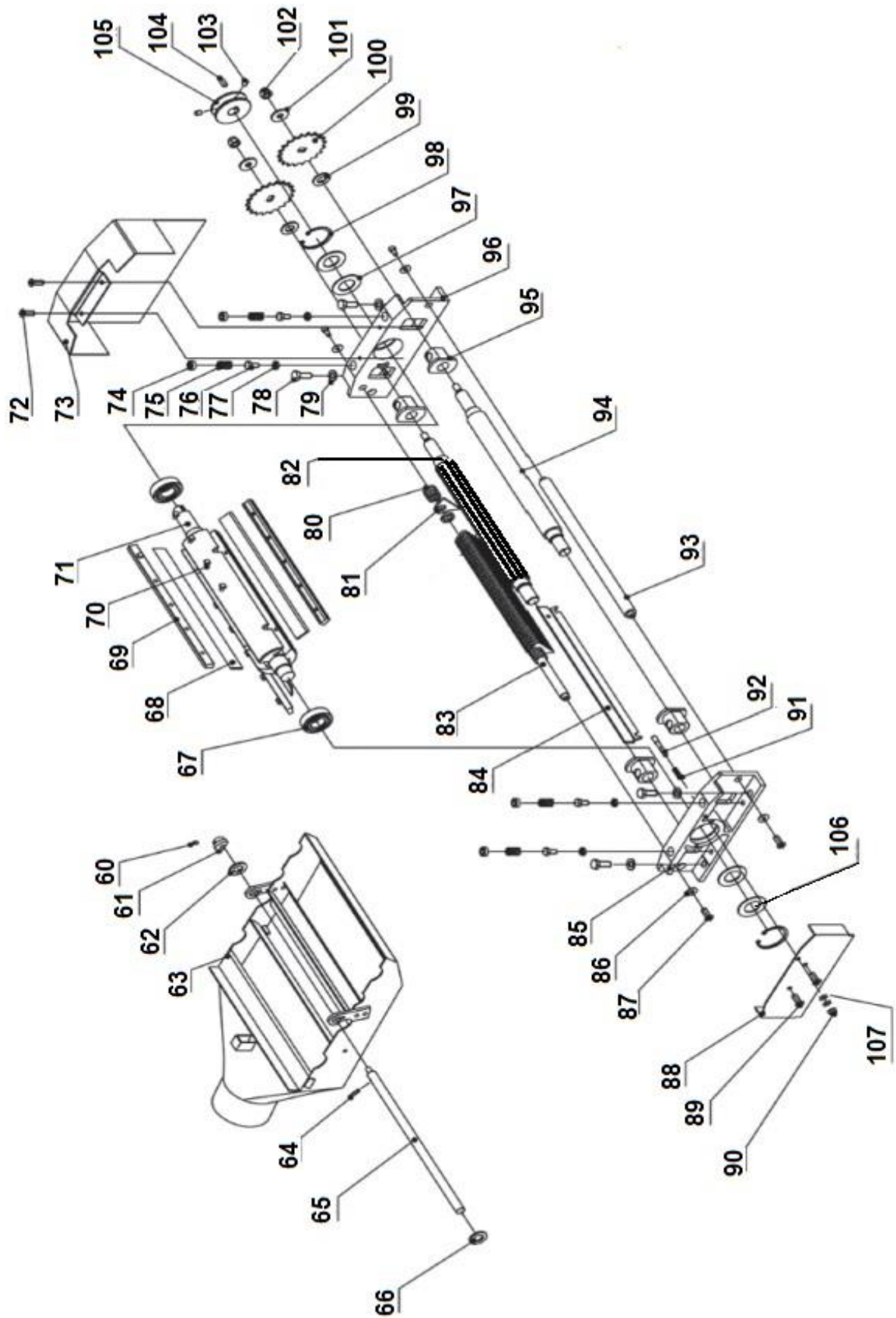
JPT-260 Cutter Block Guard and Outfeed Table Assembly



JPT-260 Cutter Block Guard and Outfeed Table Assembly

| Index No. | Part No. | Description | Size | Qty |
|-----------|------------|--|-------|-----|
| 3 | JPT310-003 | Outfeed Table Bracket Shaft | | 1 |
| 5 | JPT260-005 | Hex. Socket Cap Screw | M8X75 | 2 |
| 7 | JPT260-007 | Outfeed Table | | 1 |
| 8 | JPT260-008 | Cutterblock Guard Assembly(#401~#427,#10, #33) | | 1 |
| 10 | JPT310-010 | Hex. Socket Cap Screw | M6X30 | 2 |
| 20 | JPT310-020 | Table Locking Shaft | | 2 |
| 21 | JPT310-021 | Hex. Nut | M12 | 2 |
| 25 | JPT310-025 | Hex. Bolt | M8X30 | 6 |
| 26 | JPT310-026 | Washer | H8 | 6 |
| 27 | JPT310-027 | Outfeed Table Support | | 2 |
| 31 | JPT310-031 | Big Cam Wheel For Safty Switch | | 1 |
| 32 | JPT310-032 | Hex. Socket Set Screw | M6X8 | 1 |
| 33 | JPT260-033 | Cutterblock Guard Profilew/Plastic End Covers | | 1 |
| 34 | JPT310-034 | Hex. Socket Set Screw | M8X12 | 8 |
| 35 | JPT310-035 | Hex. Socket Cap Screw | M8X10 | 4 |
| 401 | JPT310-401 | Lock Knob | | 1 |
| 402 | JPT310-402 | Lead Screw | | 1 |
| 403 | JPT310-403 | Spring | | 1 |
| 404 | JPT310-404 | Bracket For Guard | | 1 |
| 405 | JPT310-405 | Washer | 5 | 2 |
| 406 | JPT310-406 | Lock Nut | M5 | 2 |
| 407 | JPT310-407 | Cap | | 2 |
| 408 | JPT310-408 | Locking Support | | 1 |
| 409 | JPT310-409 | Hex. Nut | M8 | 1 |
| 410 | JPT310-410 | Long Shaft | | 1 |
| 412 | JPT310-412 | Fixed Press Paw | | 2 |
| 413 | JPT310-413 | Guard Plate Cover | | 1 |
| 414 | JPT310-414 | Lock Plate | | 1 |
| 415 | JPT310-415 | Knob | | 1 |
| 416 | JPT310-416 | Nylon Bolt | | 1 |
| 417 | JPT310-417 | Lock Nut | M6 | 1 |
| 418 | JPT310-418 | Bracket | | 1 |
| 419 | JPT310-419 | Hex. Nut | M5 | 2 |
| 420 | JPT310-420 | Cap | | 3 |
| 421 | JPT310-421 | Lock Nut | M6 | 2 |
| 422 | JPT310-422 | Nylon Washer | 6 | 2 |
| 423 | JPT310-423 | Shaft (M6) | | 1 |
| 424 | JPT310-424 | Shaft (M8) | | 1 |
| 426 | JPT310-426 | Washer | 6 | 2 |
| 427 | JPT260-427 | Nut | M8 | 1 |

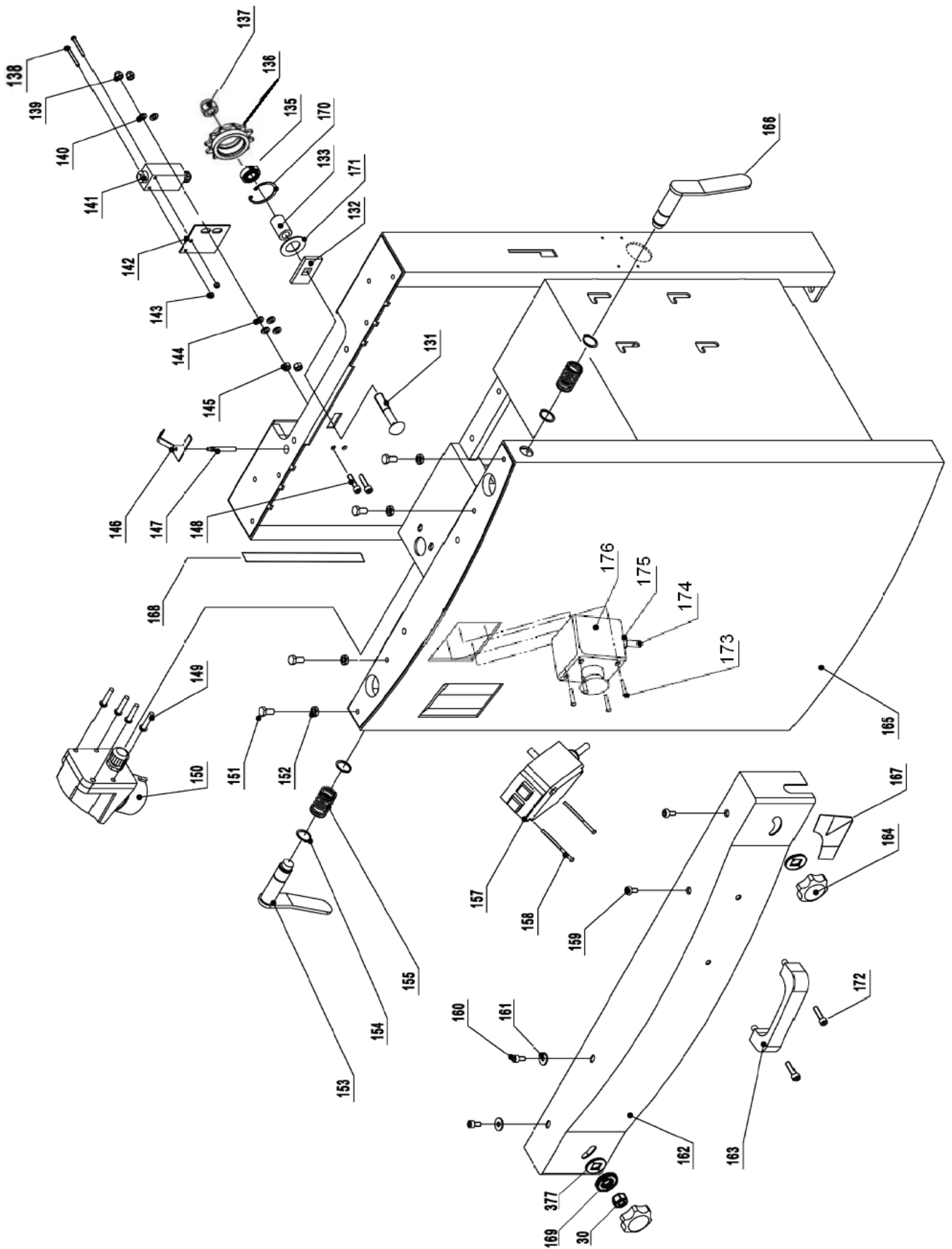
JPT-260 Cutter Block Assembly



JPT-260 Cutter Block Assembly

| Index No. | Part No. | Description | Size | Qty |
|-----------|------------|----------------------------------|---------|-----|
| 60 | JPT310-032 | Hex. Socket Set Screw | M6x8 | 1 |
| 61 | JPT310-061 | Small Cam Wheel For Safty Switch | | 1 |
| 62 | JPT310-062 | Washer | H16 | 2 |
| 63 | JPT260-063 | Dust Collector Assembly | | 1 |
| 64 | JPT310-064 | Pin Roll | N5x18 | 1 |
| 65 | JPT260-065 | Shaft | | 1 |
| 66 | JPT310-066 | Washer | H16 | 2 |
| 67 | JPT310-067 | Bearing Brg6205-Zzcm | | 2 |
| 68 | JPT260-068 | Knife | | 3 |
| 69 | JPT260-069 | Knife Locking Bar | | 3 |
| 70 | JPT310-070 | Special Screw For Locking Bar | | 15 |
| 71 | JPT260-071 | Cutter Block | | 1 |
| 72 | JPT310-072 | Pan Head Screw | M6x12 | 4 |
| 73 | JPT310-073 | Belt Cover | | 1 |
| 74 | JPT310-074 | Screw | | 4 |
| 75 | JPT310-075 | Spring | | 4 |
| 76 | JPT310-076 | Hex. Bolt | M8x16 | 4 |
| 77 | JPT310-077 | Hex. Nut | M8 | 4 |
| 78 | JPT310-078 | Hex. Bolt | M10x25 | 4 |
| 79 | JPT310-079 | Washer | H10 | 4 |
| 80 | JPT310-080 | Adjusting Washer | | 31 |
| 81 | JPT310-081 | Anti-Kickback Finger | | 40 |
| 82 | JPT260-082 | Infeed Roller | | 1 |
| 83 | JPT260-083 | Anti-Kickback Shaft | | 1 |
| 84 | JPT260-084 | Cutterblock Cover | | 1 |
| 85 | JPT310-085 | Cutterblock Bracket-Right | | 1 |
| 86 | JPT310-086 | Washer | M6 | 4 |
| 87 | JPT310-087 | Hex. Socket Cap Screw | M6x12 | 4 |
| 88 | JPT310-088 | Cutterblock Bracket Cover | | 1 |
| 89 | JPT310-089 | Pan Head Screw | M6x12 | 2 |
| 90 | JPT310-090 | Cap Nut | M6 | 1 |
| 91 | JPT310-091 | Spring | | 1 |
| 92 | JPT310-092 | Pin Stop For Dust Collector | | 1 |
| 93 | JPT260-093 | Support Rod | | 1 |
| 94 | JPT260-094 | Outfeed Rubber Roller | | 1 |
| 95 | JPT310-095 | Tube (Powder Steel Bushing) | | 4 |
| 96 | JPT310-096 | Cutterblock Bracket-Left | | 1 |
| 97 | JPT310-097 | Wave Washer | D52 | 2 |
| 98 | JPT310-098 | Retaining Ring | Clp52 | 2 |
| 99 | JPT310-099 | Washer | | 2 |
| 100 | JPT310-100 | Drive Chain Sprocket | | 1 |
| 101 | JPT310-101 | Washer | Wsh10 | 2 |
| 102 | JPT310-102 | Lock Nut | M10 | 2 |
| 103 | JPT260-103 | Hex. Socket Set Screw | M8x6 | 2 |
| 104 | JPT310-104 | Key | Pln6x16 | 1 |
| 105 | JPT260-105 | Spindle Pulley | | 1 |
| 106 | JPT260-106 | Washer | D52 | 2 |
| 107 | JPT260-107 | Nut | M6 | 2 |

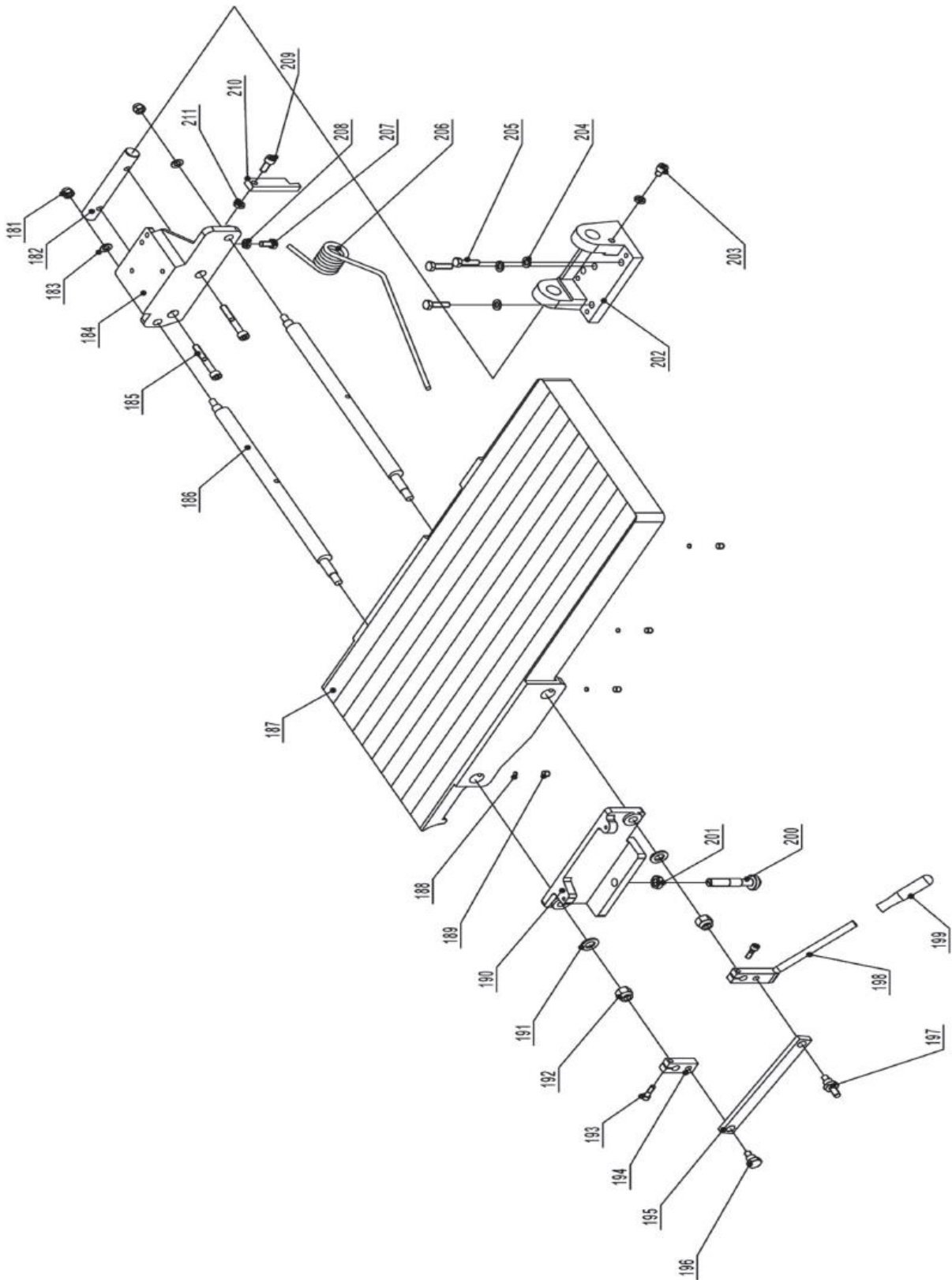
JPT-260 Base Assembly



JPT-260 Base Assembly

| Index No. | Part No. | Description | Size | Qty |
|-----------|--------------|--|---------------|-----|
| 131 | JPT310-131 | Carriage Bolt..... | N12X65..... | 1 |
| 132 | JPT310-132 | Square Washer..... | | 1 |
| 133 | JPT310-133 | Tube..... | | 1 |
| 135 | JPT310-135 | Bearing | BRG80101..... | 1 |
| 136 | JPT310-136S | Chain Tension Wheel (Sproket) | | 1 |
| | JPT310-136AS | Chain Tension Wheel Assembly (#131 thru137, 170, 171)..... | | 1 |
| 137 | JPT310-137 | Lock Nut..... | M12..... | 1 |
| 138 | JPT310-138 | Pan Head Screw..... | M4X30 | 2 |
| 139 | JPT310-139 | Lock Nut..... | M6..... | 2 |
| 140 | JPT310-140 | Washer | H6 | 10 |
| 141 | JPT310-141 | Safety Switch..... | | 1 |
| 142 | JPT310-142 | Safety Switch Bracket..... | | 1 |
| 143 | JPT310-143 | Lock Nut..... | M4..... | 2 |
| 144 | JPT310-144 | Washer | H6 | 4 |
| 145 | JPT310-145 | Hex. Nut..... | M6..... | 2 |
| 146 | JPT310-146 | Safety Switch Rocker | | 1 |
| 147 | JPT310-147 | Safety Switch Rocker Shaft..... | | 1 |
| 148 | JPT310-148 | Hex. Socket Cap Screw..... | M6X25 | 2 |
| 149 | JPT310-149 | Pan Head Screw..... | M4X16 | 4 |
| 150 | JPT310-150E | Plug 230/50/1 | | 1 |
| | JPT310-150AE | Plug 400/50/1 | | 1 |
| 151 | JPT310-151 | Special Bolt..... | | 4 |
| 152 | JPT310-152 | Hex. Nut..... | M8..... | 4 |
| 153 | JPT310-153 | Lock Handle For Outfeed Table | | 1 |
| 154 | JPT310-154 | Retaining Ring | CLP20..... | 4 |
| 155 | JPT310-155 | Spring | | 2 |
| 156 | JPT310-156 | Direction Label (Not Shown)..... | | 1 |
| 157 | JPT310-157E | Switch 230/50/1 | | 1 |
| | JPT310-157AE | Switch 400/50/3 | | 1 |
| 158 | JPT310-158 | Pan Head Screw..... | N4X60..... | 2 |
| 159 | JPT310-159 | Pan Head Screw..... | M6X16 | 2 |
| 160 | JPT310-160 | Pan Head Screw..... | M6X12 | 2 |
| 161 | JPT310-161 | Washer | H6 | 7 |
| 162 | JPT260-162 | Front Cover..... | | 1 |
| 163 | JPT310-163 | Handle | | 1 |
| 164 | JPT310-164 | Lock Knob..... | | 4 |
| 165 | JPT260-165 | Cabinet | | 1 |
| 166 | JPT310-166 | Lock Handle For Infeed Table | | 1 |
| 167 | JPT310-167 | Infeed Scale..... | | 1 |
| 168 | JPT310-168 | Thickness Scale | | 1 |
| 169 | JPT310-169 | Washer | H8 | 2 |
| 170 | JPT310-170 | Retaining Ring | | 1 |
| 171 | JPT310-171 | Washer | H12 | 1 |
| 172 | JPT310-172 | Hex Socket Head Screw..... | M8X20 | 2 |
| 173 | JPT310-173 | Screw..... | M4X10 | 4 |
| 174 | JPT310-174 | Cable For Safety Switch | | 1 |
| 175 | JPT310-175 | Strain Relief | | 1 |
| 176 | JPT310-176 | E-Stop Button | | 1 |

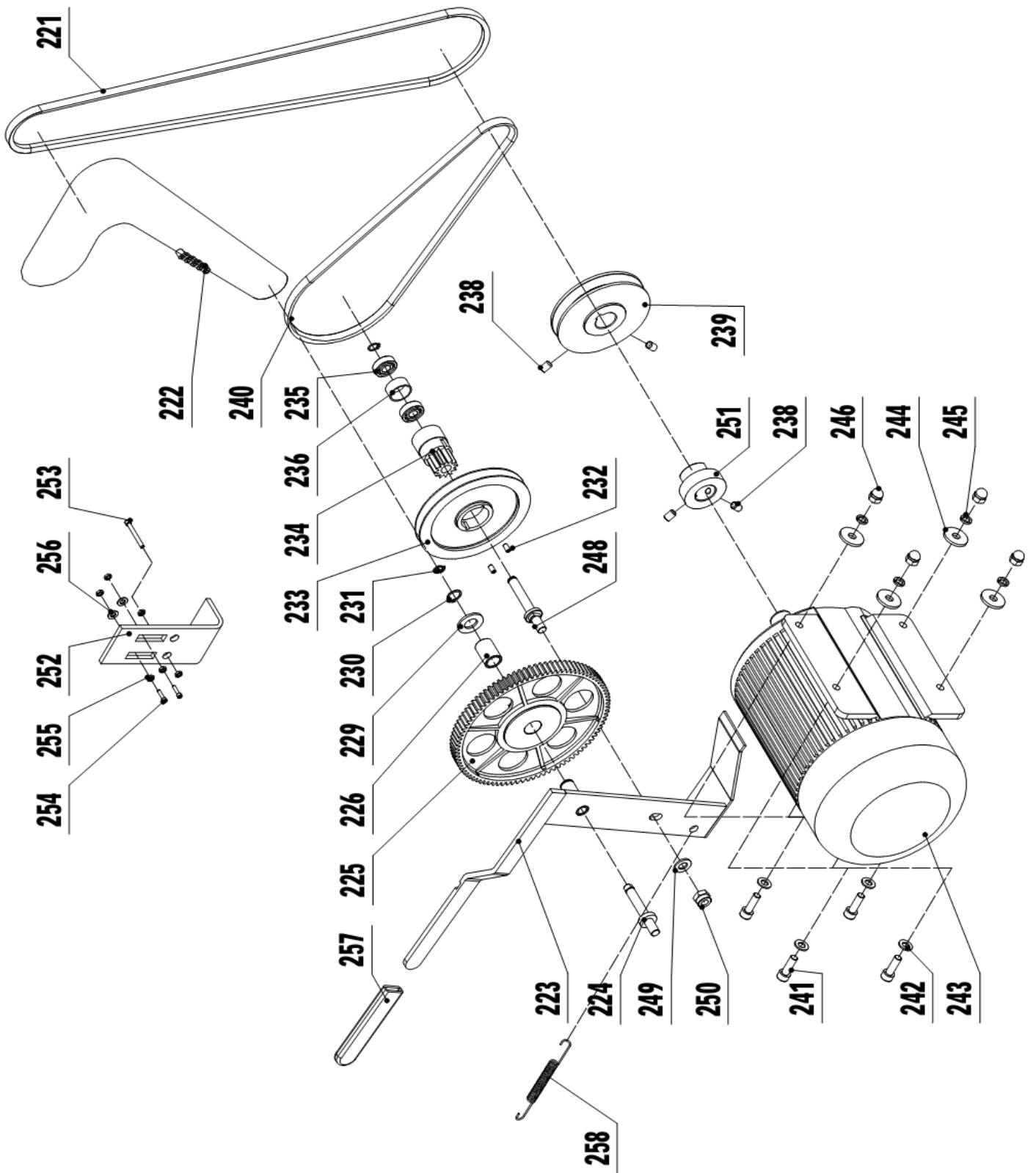
JPT-260 Infeed Table Assembly



JPT-260 Infeed Table Assembly

| Index No. | Part No. | Description | Size | Qty |
|-----------|------------|-----------------------------|-------|-----|
| 181 | JPT310-181 | Lock Nut | M8 | 2 |
| 182 | JPT310-182 | Outfeed Table Bracket Shaft | | 1 |
| 183 | JPT310-183 | Washer | | 2 |
| 184 | JPT310-184 | Infeed Table Bracket Right | | 1 |
| 185 | JPT310-185 | Hex. Socket Cap Screw | M8x75 | 2 |
| 186 | JPT260-186 | Eccentric Shaft | | 2 |
| 187 | JPT260-187 | Infeed Table | | 1 |
| 188 | JPT310-188 | Plastic Disc | D6 | 4 |
| 189 | JPT310-189 | Hex Socket Set Screw | M8x10 | 4 |
| 190 | JPT310-190 | Infeed Table Bracket Left | | 1 |
| 191 | JPT310-191 | Washer | H12 | 2 |
| 192 | JPT310-192 | Lock Nut | M12 | 2 |
| 193 | JPT310-193 | Hex. Socket Cap Screw | M6x20 | 4 |
| 194 | JPT310-194 | Eccentric Shaft Clamp | | 1 |
| 195 | JPT310-195 | Eccentric Shaft Bracket | | 1 |
| 196 | JPT310-196 | Special Screw | | 1 |
| 197 | JPT310-197 | Special Screw | | 1 |
| 198 | JPT310-198 | Adjusting Handle | | 2 |
| 199 | JPT310-199 | Knob | | 1 |
| 200 | JPT310-200 | Table Locking Shaft | | 1 |
| 201 | JPT310-201 | Hex. Nut | M12 | 1 |
| 202 | JPT310-202 | Infeed Table Support | | 2 |
| 203 | JPT310-203 | Hex. Socket Cap Screw | M8x10 | 1 |
| 204 | JPT310-204 | Washer | H8 | 3 |
| 205 | JPT310-205 | Hex. Bolt | M8x30 | 3 |
| 206 | JPT310-206 | Spring | | 1 |
| 207 | JPT310-207 | Hex. Bolt | M8x16 | 1 |
| 208 | JPT310-208 | Hex. Nut | M8 | 1 |
| 209 | JPT310-209 | Hex. Socket Cap Screw | M8x35 | 1 |
| 210 | JPT310-210 | Table Stopper | | 1 |
| 211 | JPT310-211 | Hex. Nut | M8 | 1 |

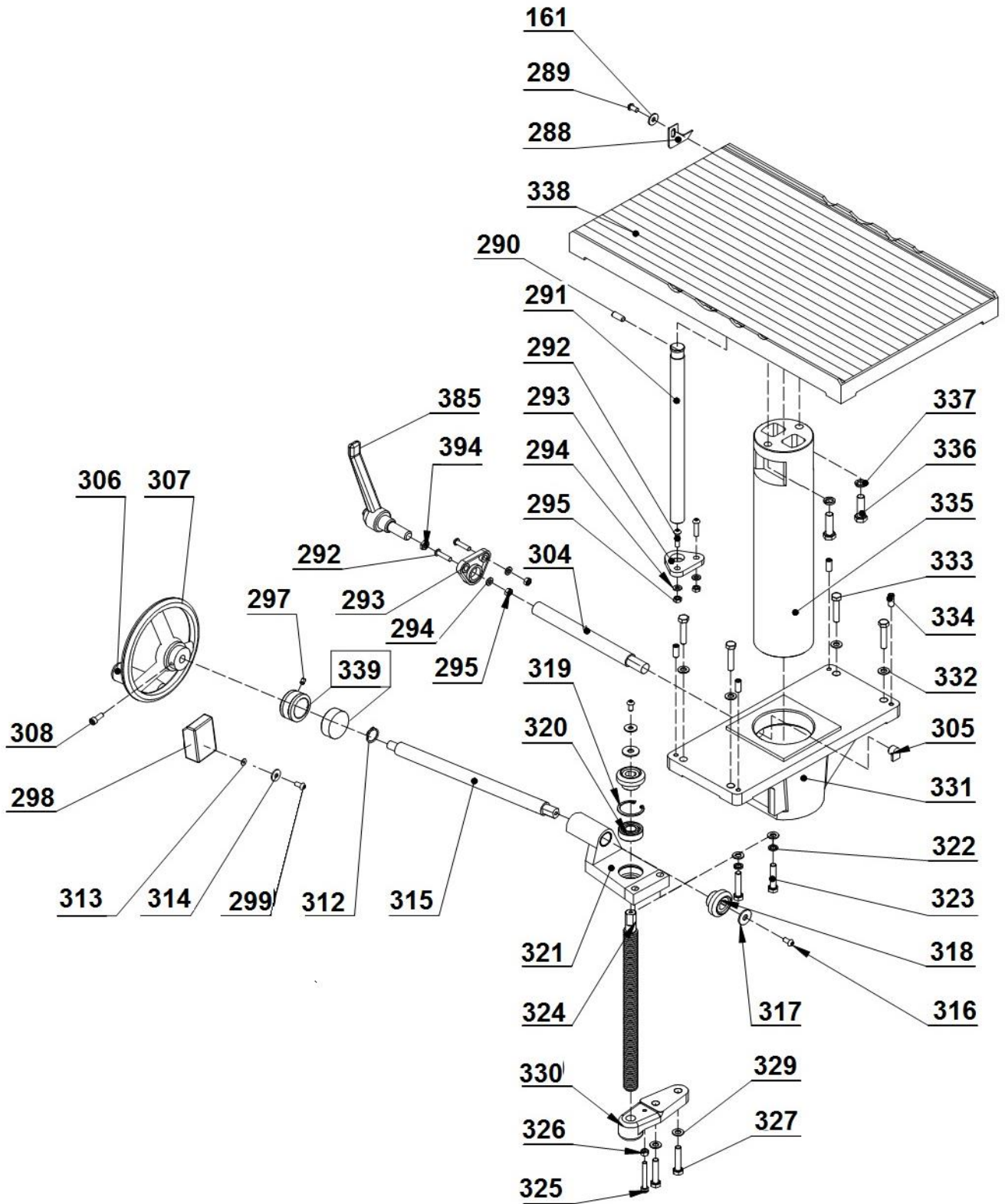
JPT-260 Drive and Motor Assembly



JPT-260 Drive and Motor Assembly

| Index No. | Part No. | Description | Size | Qty |
|-----------|--------------|----------------------------------|-----------|-----|
| 221 | JPT260-221 | V-Belt For Cutterblock 50Hz | Z1200 | 1 |
| 222 | JPT310-222 | Drive Chain | | 1 |
| 223 | JPT310-223 | Cam Wheel Bracket | | 1 |
| 224 | JPT310-224 | Cam Wheel Shaft | | 1 |
| 225 | JPT310-225A | Plastic Gear Wheel Assembly | | 1 |
| 226 | JPT310-226 | Tube | | 1 |
| 229 | JPT310-229 | Washer | | 1 |
| 230 | JPT310-230 | Retaining Ring | CLP15 | 1 |
| 231 | JPT310-231 | Retaining Ring | CLP10 | 2 |
| 232 | JPT310-232 | Hex. Socket Set Screw | M5X10 | 2 |
| 233 | JPT260-233 | V-Belt Pulley For Feed Roller | | 1 |
| 234 | JPT310-234 | Cam Wheel | | 1 |
| 235 | JPT310-235 | Bearing | BRG80100 | 2 |
| 236 | JPT310-236 | Spacer Bearing | | 1 |
| 238 | JPT260-238 | Hex. Socket Set Screw | M6X10 | 2 |
| 239 | JPT260-239 | Big Motor Pulley 50Hz | | 1 |
| 240 | JPT260-240 | Flat Belt For Feed Roller | 775x10x2 | 1 |
| 241 | JPT310-241 | Hex. Bolt | M8X25 | 4 |
| 243 | JPT260-243E | Motor 230/50/1 | | 1 |
| | JPT260-243AE | Motor 400/50/1 | | 1 |
| 244 | JPT310-244 | Washer | H8 | 4 |
| 245 | JPT310-245 | Spring Washer | H8 | 4 |
| 246 | JPT310-246 | Cap Hex. Nut | M8 | 4 |
| 247 | JPT260-247 | Capacitor 230/50/1 (Not Shown) | 50uf 450V | 1 |
| 247-1 | JPT310-247-1 | Capacitor 230V/50//1 (Not Shown) | 60uf 450V | 1 |
| 248 | JPT310-248 | Shaft | | 1 |
| 249 | JPT310-249 | Spring Washer | H10 | 1 |
| 250 | JPT310-250 | Hex Nut | M10 | 1 |
| 251 | JPT260-251 | Small Motor Pulley 50Hz | | 1 |
| 252 | JPT310-252 | Plate | | 1 |
| 253 | JPT310-253 | Hex Cap Screw | M6x60 | 1 |
| 254 | JPT310-254 | Hex Cap Screw | M6x25 | 2 |
| 255 | JPT310-255 | Hex Nut | M6 | 6 |
| 256 | JPT310-256 | Flat Washer | M6 | 2 |
| 257 | JPT310-257 | Rubber Handle | | 1 |
| 258 | JPT310-258 | Tension Spring | | 1 |

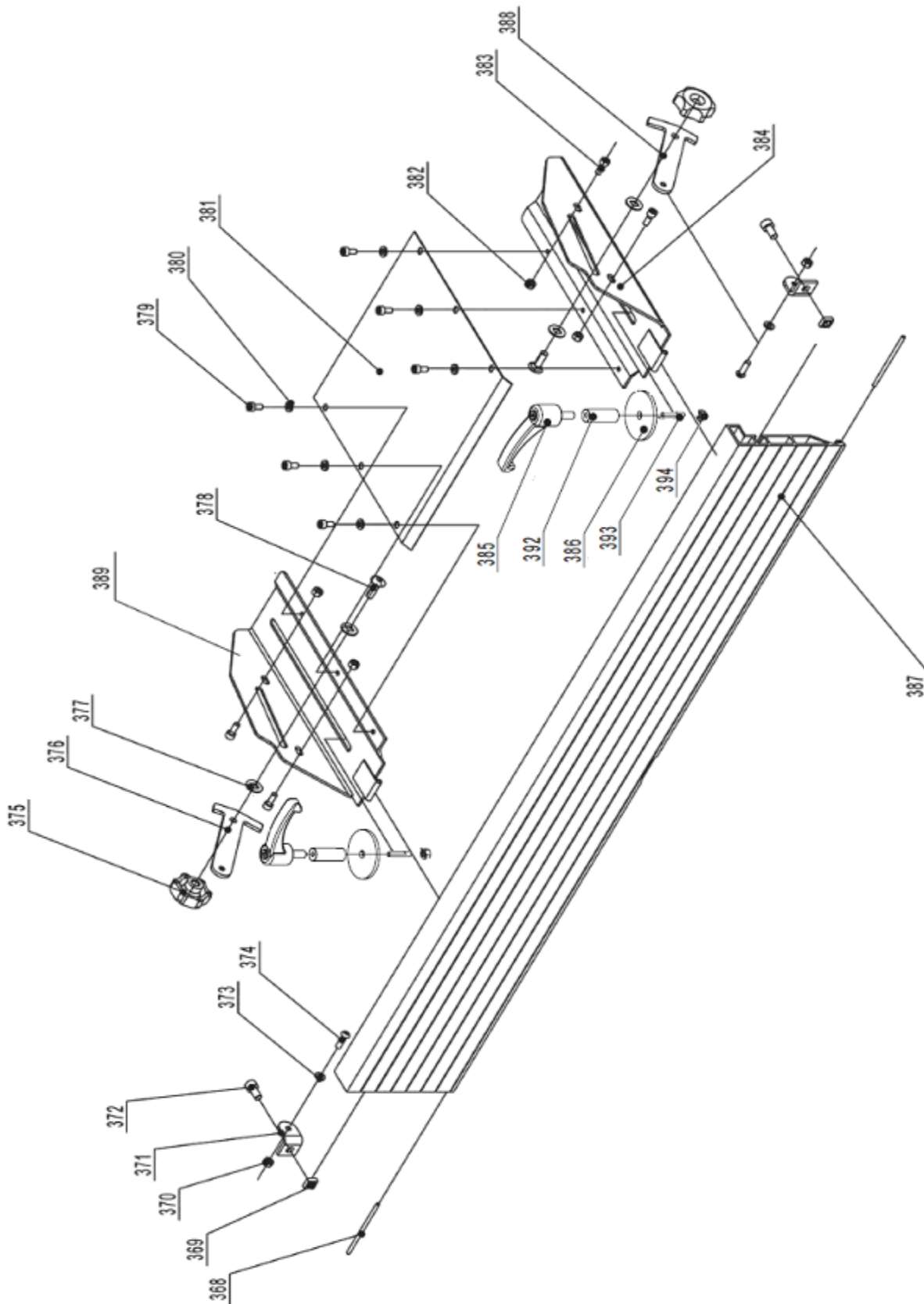
JPT-260 Thickness Table Assembly



JPT-260 Thickness Table Assembly

| Index No. | Part No. | Description | Size | Qty |
|-----------|------------|---------------------------|----------|-----|
| 288 | JPT310-288 | Indicator | | 1 |
| 289 | JPT310-289 | Screw | M6x12 | 1 |
| 290 | JPT310-290 | Hex. Socket Set Screw | M8x12 | 1 |
| 291 | JPT310-291 | Thickness Table Guide Bar | | 1 |
| 292 | JPT310-292 | Hex. Socket Cap Screw | M6x20 | 4 |
| 293 | JPT310-293 | Guide Bar Bracket | | 2 |
| 294 | JPT310-294 | Washer | H6 | 4 |
| 295 | JPT310-295 | Hex. Nut | M6 | 4 |
| 297 | JPT310-297 | Hex Socket Set Screw | M8x12 | 1 |
| 298 | JPT310-298 | Indicator Seat | | 1 |
| 299 | JPT310-299 | Screw | M6x20 | 2 |
| 304 | JPT310-304 | Locking Bar | | 1 |
| 305 | JPT310-305 | Locking Shoe | | 1 |
| 306 | JPT310-306 | Crank Handle | | 1 |
| 307 | JPT260-307 | Crank Handwheel | | 1 |
| 308 | JPT310-308 | Hex. Socket Cap Screw | M6x16 | 1 |
| 312 | JPT310-312 | Retaining Ring | Clp20 | 1 |
| 313 | JPT310-313 | Retaining Ring | Clp35 | 1 |
| 314 | JPT310-314 | Washer | | 1 |
| 315 | JPT310-315 | Crank Bar | | 1 |
| 316 | JPT310-316 | Pan Head Screw | M6x12 | 2 |
| 317 | JPT310-317 | Washer | M6 | 2 |
| 318 | JPT310-318 | Bevel Gear | | 1 |
| 319 | JPT310-319 | Retaining Ring | Clp35 | 1 |
| 320 | JPT310-320 | Bearing | Brg80202 | 1 |
| 321 | JPT310-321 | Bevel Gear Bracket | | 1 |
| 322 | JPT310-322 | Washer | H8 | 8 |
| 323 | JPT310-323 | Hex. Bolt | M8x35 | 8 |
| 324 | JPT310-324 | Thread Rod | | 1 |
| 325 | JPT310-325 | Hex. Bolt | M6x45 | 1 |
| 326 | JPT310-326 | Hex. Nut | M6 | 1 |
| 327 | JPT310-327 | Hex. Bolt | M8x35 | 2 |
| 329 | JPT310-329 | Washer | H8 | 2 |
| 330 | JPT310-330 | Thread Rob Bracket | | 1 |
| 331 | JPT260-331 | Column Support | | 1 |
| 332 | JPT310-332 | Washer | | 4 |
| 333 | JPT310-333 | Hex. Socket Set Screw | M8x20 | 5 |
| 334 | JPT310-334 | Screw | | 4 |
| 335 | JPT310-335 | Column | | 1 |
| 336 | JPT310-336 | Hex. Bolt | M10x35 | 2 |
| 337 | JPT310-337 | Spring Washer | H10 | 2 |
| 338 | JPT260-338 | Thickness Table | | 1 |
| 339 | JPT310-339 | Scale Ring Assembly | | 1 |

JPT-260 Working Fence Assembly



JPT-260 Working Fence Assembly

| Index No. | Part No. | Description | Size | Qty |
|--------------|-------------|---|-------|-----|
| 368 | JPT310-368 | Pin For Hinge | | 1 |
| 369 | JPT310-369 | Square Nut | M8 | 2 |
| 370 | JPT310-370 | Lock Nut | M6 | 6 |
| 371 | JPT310-371 | Fence Mounting Bracket | | 2 |
| 372 | JPT310-372 | Hex. Bolt | M8X16 | 2 |
| 373 | JPT310-373 | Washer | | 2 |
| 374 | JPT310-374 | Hex. Socket Cap Screw | M6X16 | 2 |
| 375 | JPT310-375 | Lock Knob | | 2 |
| 376 | JPT310-376 | Fence Support-Right | | 1 |
| 377 | JPT310-377 | Nylon Washer | | 10 |
| 378 | JPT310-378 | Carriage Bolt | M8X25 | 2 |
| 379 | JPT310-379 | Pan Head Screw | M6X12 | 6 |
| 380 | JPT310-380 | Washer | H6 | 6 |
| 381 | JPT310-381 | Cutterblock Cover | | 1 |
| 382 | JPT310-382 | Lock Nut | M6 | 4 |
| 383 | JPT310-383 | Hex. Socket Cap Screw | M6X10 | 4 |
| 384 | JPT310-384 | Fence Bracket-Left | | 1 |
| 385 | JPT310-385 | Lock Handle | | 3 |
| 386 | JPT410-386 | Special Washer | | 2 |
| 387 | JPT310-387 | Fence | | 1 |
| 388 | JPT310-388 | Fence Support-Left | | 1 |
| 389 | JPT310-389 | Fence Bracket-Right | | 1 |
| 390 | JPT260-390 | Fence Scale | | 1 |
| 392 | JPT410-392 | Locking Tube | | 2 |
| 393 | JPT410-393 | Screw | M8x50 | 2 |
| 394 | JPT410-394 | Nut | M8 | 3 |
| | JPT260-391 | Complete Fence Assembly (#368,Thru 394) | | 1 |

JPT-260-T

10000289T

| | colour of strands | Litzenfarben | couleur des cordons |
|------|-------------------|--------------|---------------------|
| BK | black | schwarz | noir |
| WH | white | weiß | blanc |
| BU | blue | blau | bleu |
| RD | red | rot | rouge |
| BN | brown | braun | brun |
| GY | grey | grau | gris |
| GNYE | green-yellow | grün-gelb | vert-jaune |

| | meaning of symbol | Bedeutung der Zeichen | interprétation |
|----|-------------------|------------------------|-----------------------|
| M | motor | Motor | moteur |
| S | switch | Schalter | interrupteur |
| OL | overload cut-off | Überlastschuttschalter | déclencheur surcharge |
| LS | Limit switch | Positionsendschalter | micro |
| SB | E-stop | Not-Aus Taster | arret d'urgence |

400/50/3

