



JTS-315SP

Table Saw

10000910SM 1~230V, 50Hz

10000910ST 3~400V, 50Hz

PARTS LIST

ERSATZTEILLISTE

LISTE DE PIECES



JPW Tool Group Hong Kong Limited

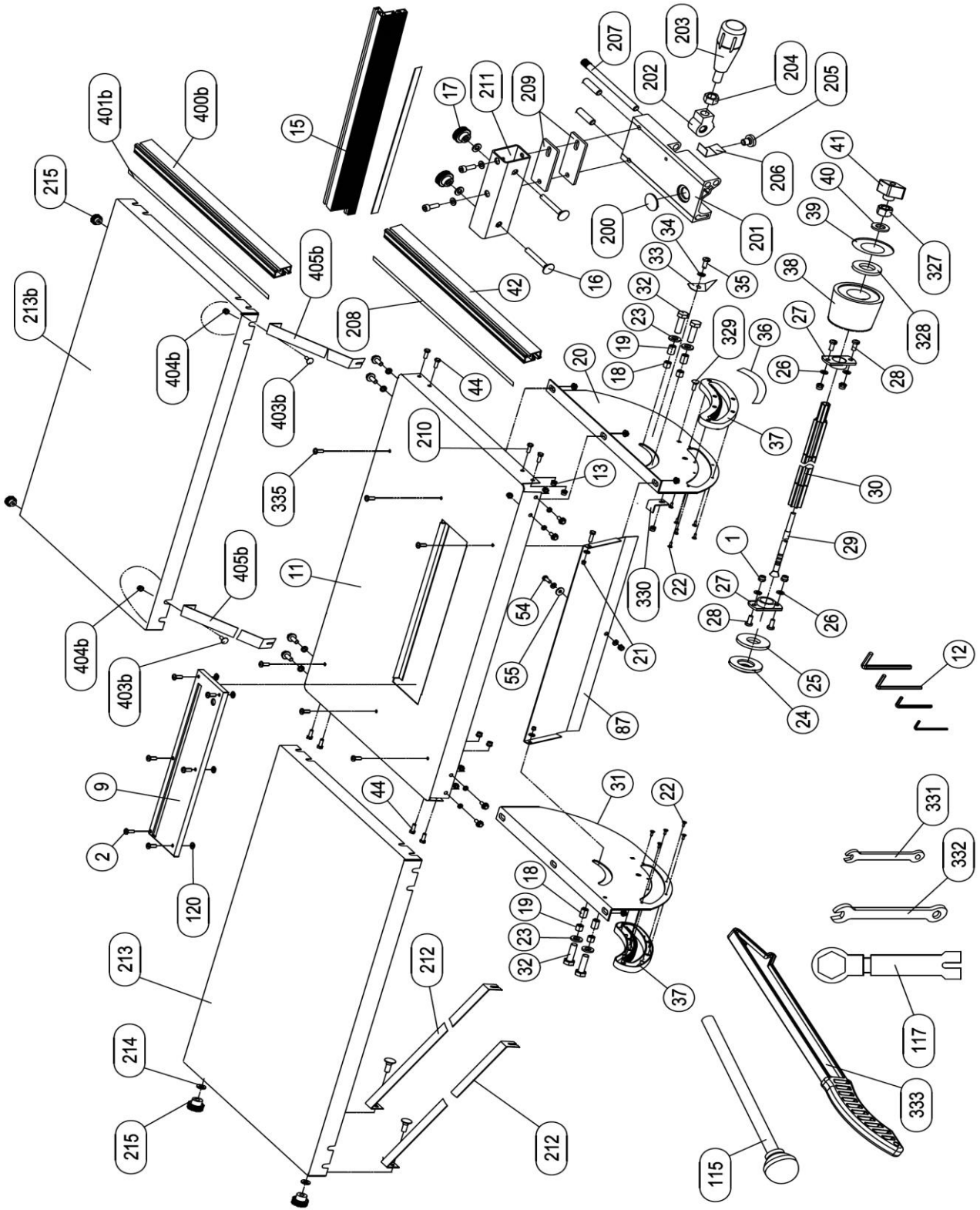
98 Granville Road, Tsimshatsui East, Kowloon, Hong Kong, PRC
www.jettools.com

Импортер в РФ: ООО «ИТА Технолджи»

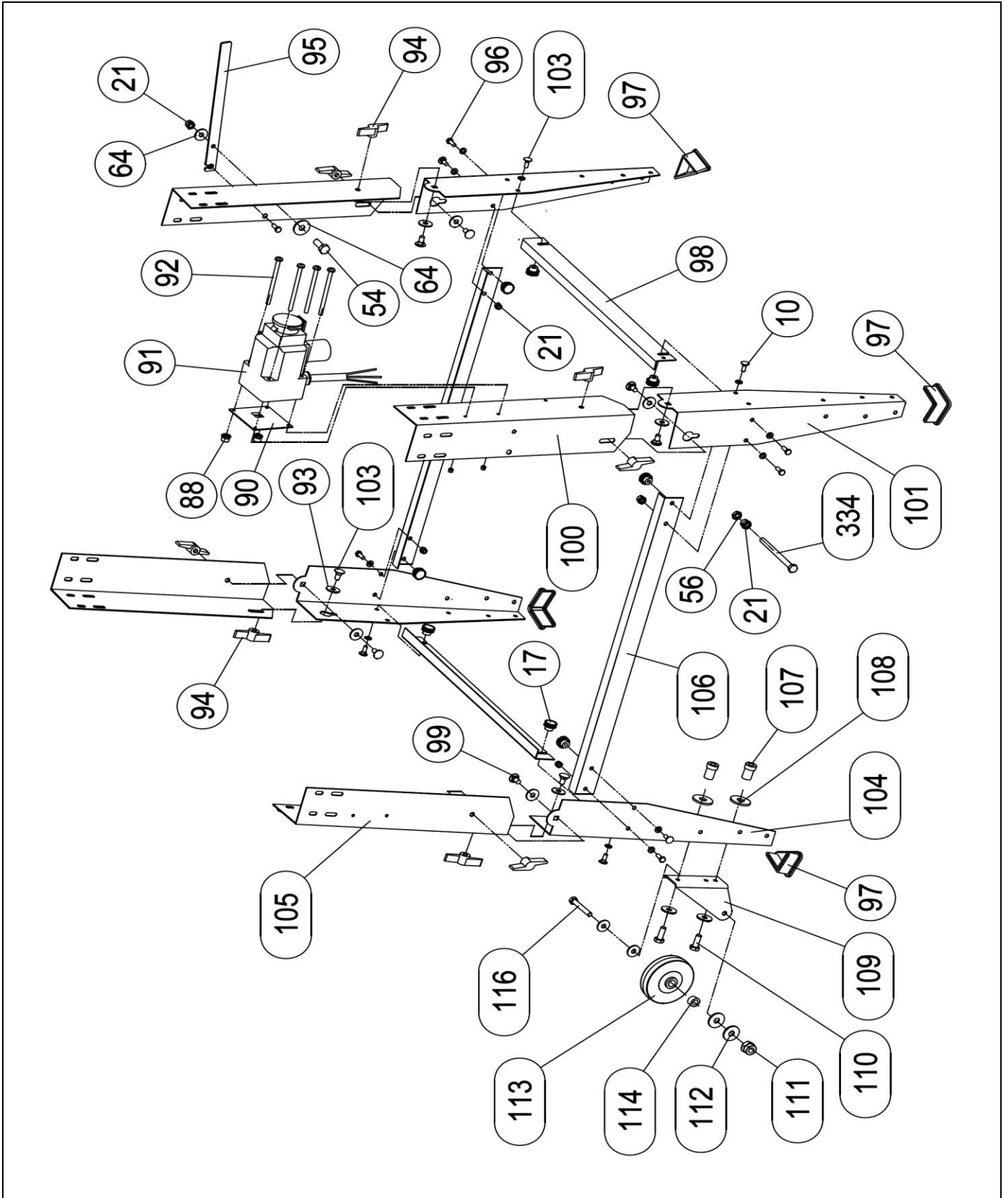
105082, Москва, Переведеновский пер., д. 17
www.jettools.ru

Made in PRC / Сделано в КНР

Parts Breakdown for JTS-315SP Table Saw



Parts Breakdown for JTS-315SP Table Saw



Parts List for JTS-315SP Table Saw

Index No.	Part No.	Description	Size	Qty
1	JTS315-01	Hexagonal Nut Self-Locking	M5	9
2	JTS315-02	Sunk Head Tapping Screw	M4x20	6
3	JTS315-03	Blade Cover (Right)		1
4	JTS315-04	Blade Cover (Left)		1
5	JTS315-05	Sunk Head Tapping Screw	ST3.5 x 25	4
6	JTS315-06	Sunk Head Screw	M5 x 30	1
8	JTS315-08	Carriage Bolt	M6x40	1
9	JTS315-09	Table Insert		1
10	JTS315-10	Hexagonal Bolt	M6 x 16	10
11	JTS315-11	Table Top		1
13	JTS315-13	Hex. Nut Self-Lock	M6	7
15	JTS315-15	Fence Extrusion		1
16	JTS315-16	Carriage Bolt	M6 x 45	6
17	JTS315-17	Knurled Nut		5
18	JTS315-18	Copper Tube		4
19	JTS315-19	Steel Tube		4
20	JTS315-20	Chipcase Guide Panel, Rear		1
21	JTS315-21	Hexagonal Nut Self-Lock	M6	24
22	JTS315-22	Sunk Head Tapping Screw	ST3.5 x 13	12
23	JTS315-23	Washer	6mm	4
24	JTS315-24	Locking Washer		1
25	JTS315-25	Locking Washer		3
26	JTS315-26	Washer	5mm	8
27	JTS315-27	Pinion Shaft Support		2
28	JTS315-28	Pan Head Screw	M5 x 12	8
29	JTS315-29	Shaft		1
30	JTS315-30	Pinion Shaft		1
31	JTS315-31	Chip Case Guide Panel, Front		1
32	JTS315-32	Hexagonal Bolt	M6x 25	4
33	JTS315-33	Indicator		1
34	JTS315-34	Washer		1
35	JTS315-35	Pan Head Tapping Screw	ST3.5 x 9.5	1
36	JTS315-36	Angle Label		1
37	JTS315-37	Pinion Plate		2
38	JTS315-38	Hand Wheel/Blade Tilt		1
39	JTS315-39	Angle Indicator		1
40	JTS315-40	Adjusting Washer	6	1
41	JTS315-41	Locking Lever		1
42	JTS315-42	Rip Fence Carrier Extrusion		1
44	JTS315-44	Hex. Bolt	M6x20	8
45	JTS315-45	Blade		1
46	JTS315-46	Centering Flange		1
47	JTS315-47	Adjusting Washer		8
49	JTS315-49	Hexagonal Bolt	M6 x 25	1
50	JTS315-50	Washer	6	1
51	JTS315-51	Turning Tang		1
52	JTS315-52	Flat Washer		1
53	JTS315-53	Setting Tang Bolt		1
54	JTS315-54	Hex. Screw	M6x16	2
55	JTS315-55	Washer	6	1
56	JTS315-56	Hex. Nut	M6	2
57	JTS315-57	Hand Wheel/Blade Rise & Fall		1
58	JTS315-58	Washer	12mm	1
59	JTS315-59	Shaft Sleeve (2)		1
60	JTS315-60	Ring Retaining		1
61	JTS315-61	Thread Rod		1
62	JTS315-62	Shaft Sleeve (3)		1
63	JTS315-63	Thread Rod Nut		1
64	JTS315-64	Washer	8mm	8
65	JTS315-65	Guide Plan		3
66	JTS315-66	Spring Washer		4
67	JTS315-67	Chips Box		1

Parts List for JET JTS-315SP Table Saw

Index No.	Part No.	Description	Size	Qty
68	JTS315-68E	Motor	230/50/1	1
	JTS315-68AE	Motor	400/50/3	1
	JTS315-68SAE	Motor	230/60/1	1
	JTS315-68UKE	Motor	410/50/1	4
68-1	JST315-68-1	Motor Cover		1
68-2	JST315-68-2	Junction Box		1
68-3	JST315-68-3	Motor Fan		1
69	JTS315-69	Pan Head Screw	M4 x 13	2
70	JTS315-70	Pan Head Tapping Screw	ST3.5 x 13	3
71	JTS315-71	Dust Collector		1
72	JTS315-72	Motor Carrier Unit		1
73	JTS315-73	Self-Plugging Rivet		4
74	JTS315-74	Hex. Bolt	M6x25	4
75	JTS315-75	Thread Rod Seat		1
76	JTS315-76	Riving Knife Seat		1
77	JTS315-77	Carriage Bolt	M10 x 25	1
78	JTS315-78	Guide Plate		1
79	JTS315-79	Lever		1
80	JTS315-80	Riving Knife		1
81	JTS315-81	"U" Plate		1
83	JTS315-83	Hexagonal Nut Self-Lock	M10	1
84	JTS315-84	Tightening Flange Blade		1
85	JTS315-85	Left Side Nut	M14 left	1
86	JTS315-86	Cover For Chip case (Lower)		1
87	JTS315-87	Cover For Chip case (Upper)		1
88	JTS315-88	Hexagonal Nut Self-Lock	M4	4
89	JTS315-89	Suction Hose		1
90	JTS315-90	Switch Bracket		1
91	JTS315-91E	Switch	230/50(60)/1	1
	JTS315-91AE	Switch	400/50/3	1
	JTS315-91UKE	Switch	110/50/1	1
92	JTS315-92	Pan Head Screw	M4 x 50	4
93	JTS315-93	Washer	8mm	8
94	JTS315-94	Wing Nut		8
95	JTS315-95	Handle		2
96	JTS315-96	Hex. Bolt	M6x16	4
97	JTS315-97	Rubber Feet		4
98	JTS315-98	Short Crossbeam		2
99	JTS315-99	Carriage Bolt	M8x16	8
100	JTS315-100	Upper Fold Leg (Left)		2
101	JTS315-101	Lower Fold Leg (Right)		2
103	JTS315-103	Carriage Bolt	M6 x 16	8
104	JTS315-104	Upper Fold Leg (Right)		2
105	JTS315-105	Lower Fold Leg (Left)		2
106	JTS315-106	Long Crossbeam		2
107	JTS315-107	Hex Nut Self-Lock		4
108	JTS315-108	Washer		4
109	JTS315-109	Wheel Bracket		2
110	JTS315-110	Hex Bolt		4
111	JTS315-111	Hex Nut Self-Lock		2
112	JTS315-112	Washer		8
113	JTS315-113	Wheel		2
114	JTS315-114	Wheel Tube		2
115	JTS315-115	Handle		1
116	JTS315-116	Hex Bolt		2
117	JTS315-117	Wrench		1
118	JTS315-118	Pin Roll		2
119	JTS315-119	Blade Guard Assembly (#3Thru6, #1,#8,#17)		1
120	JTS315-120	O-Ring		6
200	JTS315-200	Magnifier		1
	JTS315-201A	Fence Sliding Plate Assembly(# 200 #15,#16,#17,#42,)		1
201	JTS315-201	Fence Sliding Plate		1
202	JTS315-202	Cam		1
203	JTS315-203	Lock Handle		1
204	JTS315-204	Nut		1
205	JTS315-205	Screw	M4x6	1
206	JTS315-206	Spring Slice		1
207	JTS315-207	Shaft		3
208	JTS315-208	Scale		1

Parts List for JET JTS-315SP Table Saw

Index No.	Part No.	Description	Size	Qty
209	JTS315-209	Square Washer		2
210	JTS315-210	Hex Screw	M6x16	8
211	JTS315-211	Fence Seat		1
212	JTS315-212	Back Table Support		2
213	JTS315-213	Extension Table		1
214	JTS315-214	Bolt	M6x16	2
215	JTS315-215	Knurled Nut	M6	2
216	JTS315-216	Retaining Ring		1
217	JTS315-217	Nut	M6X6	2
326	JTS315-326E	Capacitor For 230/50/1 (Not Shown)	30 MFD, 450VAC	1
326	JTS315-326UKE	Capacitor For 110/50/1 (Not Shown)	60 MFD, 450VAC	1
327	JTS315-327	Hexagon Nut	M12	1
328	JTS315-328	Flat Washer	12	1
329	JTS315-329	Semi-Round Screw	M6X16	1
330	JTS315-330	Limit Plate		1
331	JTS315-331	Wrench 10	10	1
332	JTS315-332	Wrench 16	16	1
333	JTS315-333	Push Stick		1
334	JTS315-334	Socket Head Cap Screw	M6X30	1
335	JTS315-335	Socket Set Screw	M6X16	6
337	JTS315-337	Motor Label		1
338	JTS315-338	ID Label		2
339	JTS315-339	Warning Label		1
340	JET LOGO	JET-92		1
341	JTS315-341	JET-Logo for Blade Guard		1

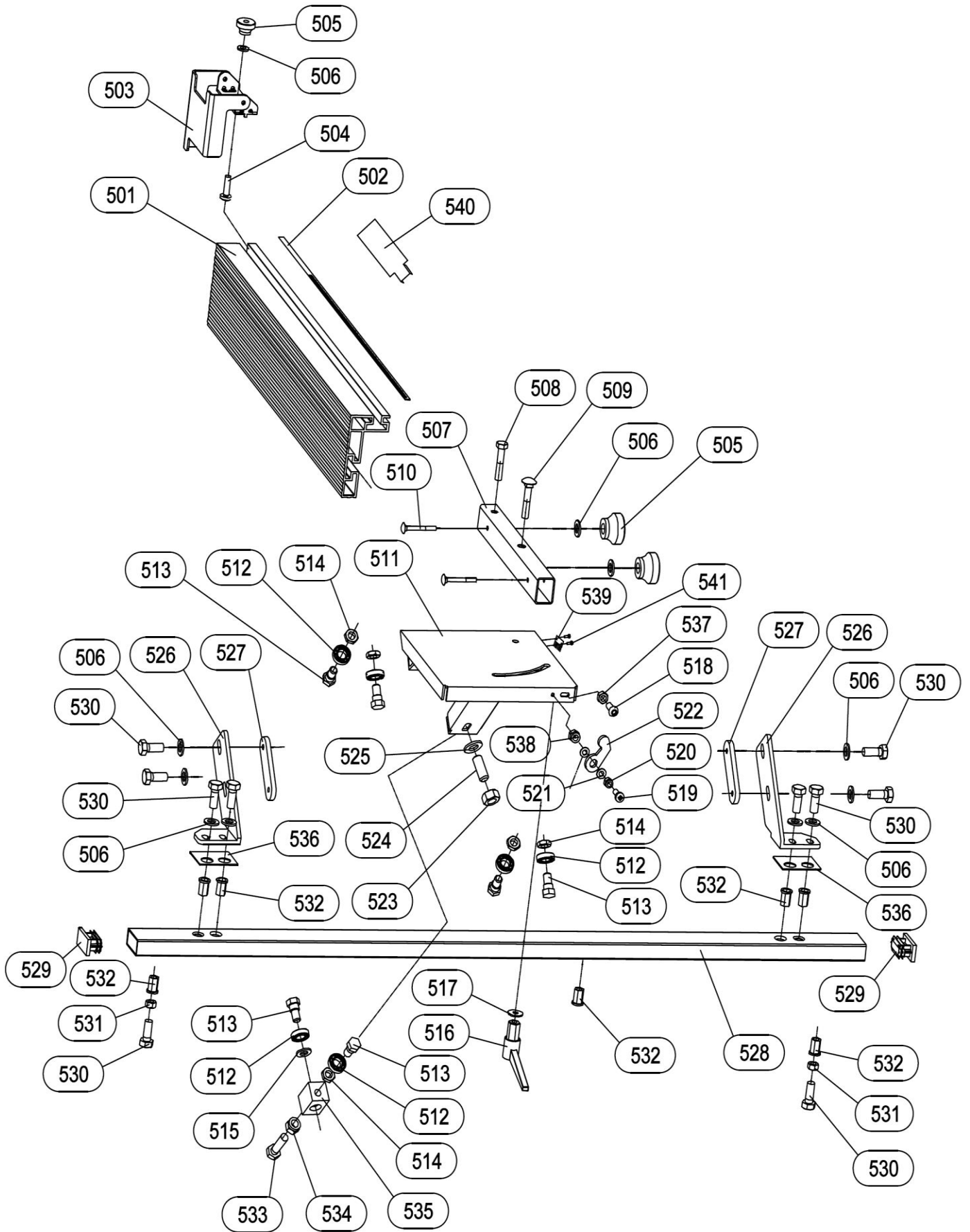
Parts List for Optional Accessory Right Extension Table

Index No.	Part No.	Description	Size	Qty
400b	JTS315-400b	Extension Rip Fence Carrier Extrusion		1
401b	JTS315-401b	Scale		1
403b	JTS315-403b	Bolt	M6x16	2
404b	JTS315-404b	Knurled Nut	M6	2
405b	JTS315-405b	Right Table Support		2
213b	JTS315-213	Extension Table		1

Optional Accessory

12	JTS315-12	Hex. Wrench	S=3/4/5/6	1
----	-----------	-------------	-----------	---

Parts Breakdown for JTS-315SP Precision Sliding Table

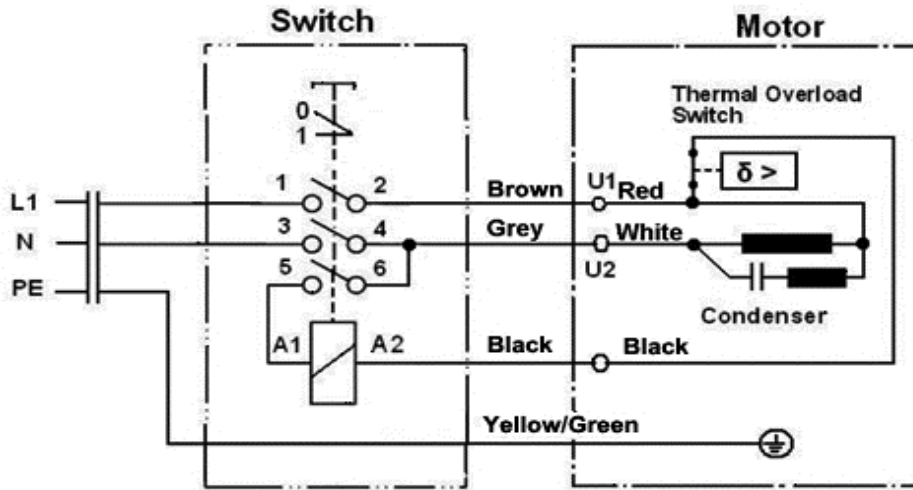


Parts List for JTS-315SP Precision Sliding Table

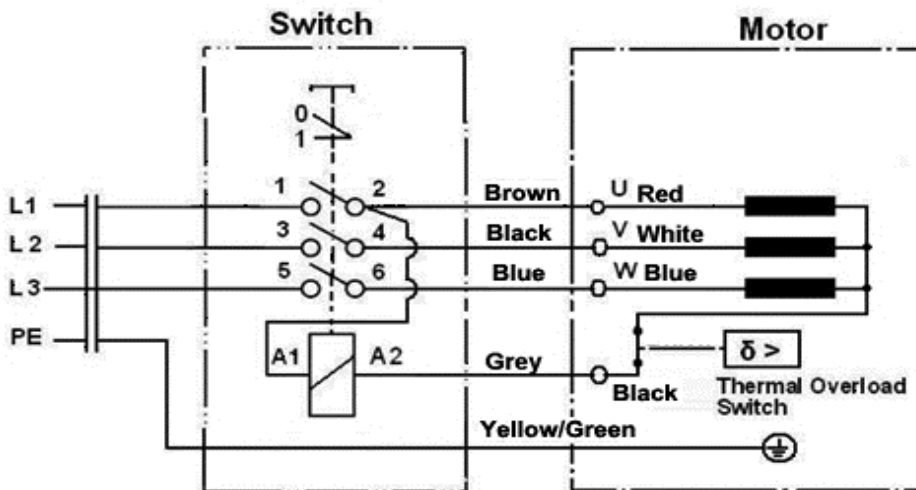
Index No.	Part No.	Description	Size	Qty
501	JTS315PST-01	Fence Extrusion		1
502	JTS315PST-02	Scale		2
503	JTS315PST-03	Movable Mount		1
504	JTS315PST-04	Carriage Bolt	M6x20	1
505	JTS315PST-17	Knurled Nut		3
506	JTS315PST-06	Washer	M6	11
507	JTS315PST-07	Fence Mount		1
508	JTS315PST-08	Hex Screw	M10x55	1
509	JTS315PST-09	Carriage Bolt	M10X60	1
510	JTS315PST-10	Carriage Bolt	M6x55	2
511	JTS315PST-11	Seat		1
512	JTS315PST-12	Bearing	6000	6
513	JTS315PST-13	Bearing Shaft		6
514	JTS315PST-14	Thin Nut	M6	5
515	JTS315PST-15	Washer	M8	1
516	JTS315PST-16	Locking Handle Assembly		1
517	JTS315PST-17	Washer		1
518	JTS315PST-18	Hex Socket Screw	M6X10	1
519	JTS315PST-19	Pan Head Screw	M5X12	1
520	JTS315PST-20	Washer	M5	2
521	JTS315PST-21	Tube		1
522	JTS315PST-22	Block Positioning		1
523	JTS315PST-23	Hex Nut	M10	1
524	JTS315PST-24	Screw	M10X20	1
525	JTS315PST-25	Washer	M10	1
526	JTS315PST-26	Support For Rail		2
527	JTS315PST-27	Support Plate		2
528	JTS315PST-28	Guiding Rail		1
529	JTS315PST-29	End Cap For Rail		2
530	JTS315PST-30	Hex Screw	M6X16	10
531	JTS315PST-31	Nut	M6	2
532	JTS315PST-32	Rivet Nut	M6X15	7
533	JTS315PST-33	Hex Screw	M8X25	1
534	JTS315PST-34	Thin Self Locking Nut	M8	1
535	JTS315PST-35	Adjusting Block		1
536	JTS315PST-36	Plate		2
537	JTS315PST-37	Self Locking Nut	M6	1
538	JTS315PST-38	Hex Nut	M5	1
539	JTS315PST-39	Brush		2
540	JTS315PST-40	Alignment Gauge		1
541	JTS315PST-41	Screw	M4x8	4
	JTS315PST-500	Precision Sliding Table Assembly(#501 Thru #538#)		1

Wiring Diagram for JTS-315SP Table Saw

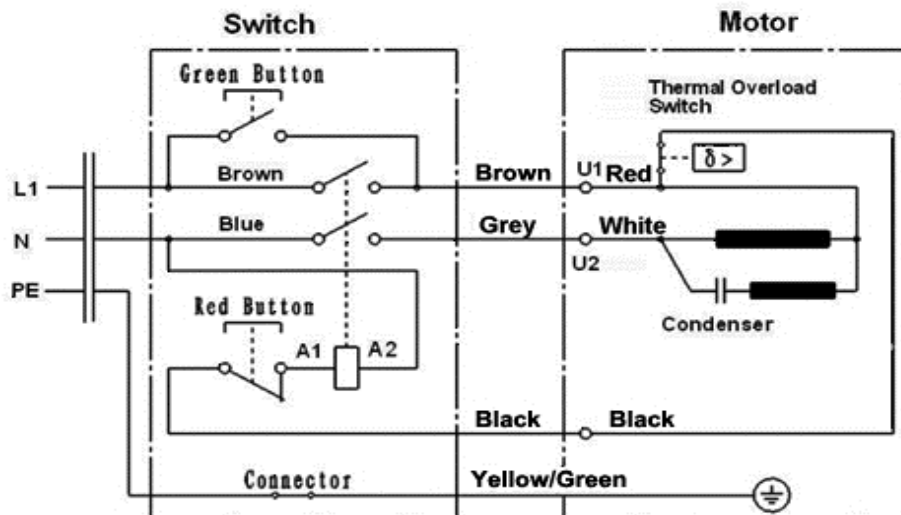
230 V / 50(60)Hz / 1Phase



400V / 50Hz / 3Phase



110V / 50 Hz / 1Phase



....