

JET

JDP-10

Drill Press

10000350M

~230V, 50Hz

PARTS LIST

JPW (Tool) AG

Tämperlistrasse 5
CH-8117 Fällanden
Switzerland

Phone +41 44 806 47 48

Fax +41 44 806 47 58

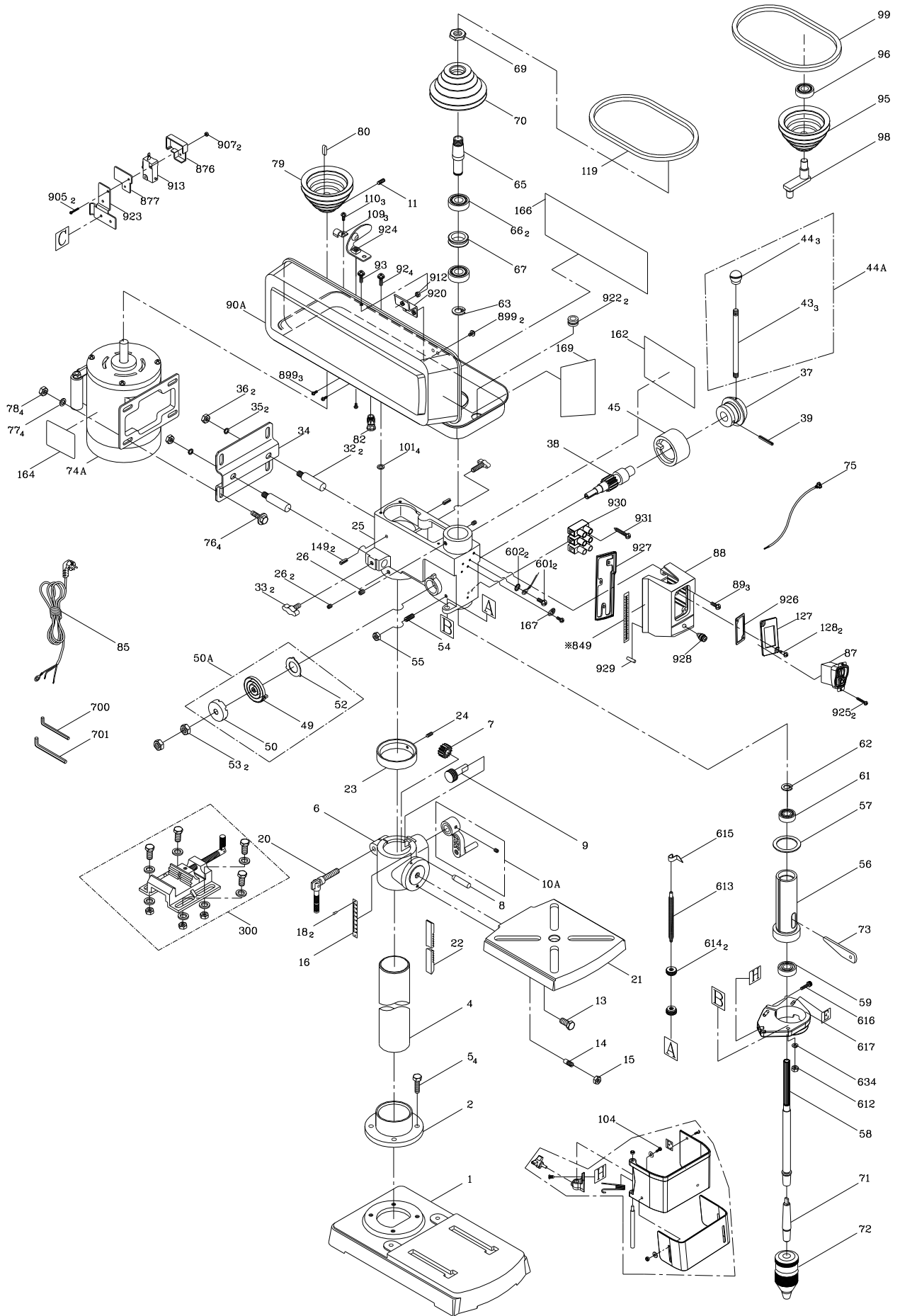
www.jettools.com



P-10000350M

2014-03

Parts Breakdown for JDP-10 Drill Press



Parts List for JDP-10 Drill Press

Index No.	Part No.	Description	Size	Qty.
1	10300105	Base		1
2	10300202	Column Holder		1
4	10300404	Body Column		1
5	2601BBDA90	Hex Head Bolt	M8x25	4
6	10300603	Table Bracket		1
7	10300701	Gear		1
8	10300801	Gear Shaft		1
9	10300901	Worm		1
10A	10601009A1	Crank Handle Assy		1
11	2603BBLA38	Set Screw	M6x10	1
13	2601QBDS81	Hex Head Bolt	1/2"-12x7/8"	1
14	10601401	Location Pin		1
15	2701QBD506	Nut	1/4"-20	1
16	10301603	Tilting Scale		1
18	2658MZDU36	Drive Screw		2
20	10602001	Table Lock Handle	M10x25	1
21	10302135	Table		1
22	10302202	Rack		1
23	10302301	Rack Ring		1
24	2603BBLA37	Set Screw	M6x8	1
25	10302511	Head		1
26	2603BBLA52	Set Screw	M8x8	2
32	10303202	Motor Rod		2
33	10604201	Shifter Bolt	M8x17	2
34	10303401	Motor Base		1
35	2502ABC410	Spring Washer	M10	2
36	2701FBD110	Nut	M12	2
37	10303701	Hub		1
38	10303825	Feed Shaft		1
39	2536MBE611	Spring pin	ø5x16	1
43A	10304301A1	Handle Assy		1
43	10304301	Handle Bar		3
44	10304411	Gripe		3
45	10304502	Scale Ring		1
49	10304901	Coil Spring		1
50A	10305001A2	Spring Cap Assy		1
50	10305001	Spring Cap		1
52	10305206	Spring Retainer		1
53	2701QZD611	Nut	1/2"-20	2
54	10305401	Quill Set Screw	M8x18	1
55	2701FBD113	Nut	M8	1
56	10305604	Quill		1
57	10305701	Rubber Washer		1
58	10305810	Spindle		1
59	2001ZZ6204	Ball Bearing	6201ZZ	1
61	2001ZZ6201	Ball Bearing	6201ZZ	1
62	2570BBN111	Retaining Ring		1
63	2570BBN117	Retaining Ring		1
65	10306512	Driving Sleeve		1
66	2001ZZ6203	Ball Bearing	6203ZZ	2
67	10306701	Collar		1
69	10306901	Pulley Set Nut		1
70	10307005	Spindle Pulley		1

Parts List for JDP-10 Drill Press

Index No.	Part No.	Description	Size	Qty.
71	21015M2B16	Arbor	MT2 x B16	1
72	2135ATQ915	Keyless Chuck	B16	1
73	10607303	Wedge Shifter		1
74A	80032ZMN	Motor		1
75	28065558U6	Motor Wire		1
76	2615BBDD27	Hex Head Bolt	M8x20	4
77	2501MBDN08	Flat Washer	M8	4
78	2701FBD113	Nut	M8	4
79	10407911	Motor Pulley		1
80	2571MNC307	Key	5x5x20	1
82	2801ANHJ37	Strain Relief		1
85	2807UK06KH	Power Cable		1
87	28502CL1	Switch		1
88	10032Z8E	Switch Box		1
89	2668BBDA24	Pan Head Screw	M5x12	3
90A	100333WY	Pulley Cover Assy		1
92	2641BBDA39	Pan Head Screw	M6x12	4
93	2668BBDA27	Pan Head Screw	M5x20	1
95	10409513	Center Pulley		1
96	2001ZZ6202	Ball Bearing	6202ZZ	1
98	10609802	Center Pulley Shaft		1
99	2572ARM210	V-Belt	M-21	1
100	2603BBLA52	Set Screw	M8x8	1
101	2501NNVN11	Flat Washer	1/4"	4
104	10032Z90	Chuck Guard Assy		1
109	10208302	Clamp-Cord		3
110	2668BBDA32	Pan Head Screw	M5x10	3
119	2572ARM220	V-Belt	M-22	1
127	10392CJ9	Switch Cover		1
128	26603146	Tapping Screw	M4x16	2
149	2536MBE623	Spring Pin	ø6x25	2
162	10032340	I.D Label		1
164	100330SJ	Motor Label		1
166	10316605	Speed Diagram		1
167	10216714	Earth Label		1
169	10216921	JET Logo		1
300	2130555540A1	Vise		1
601	2668BZDA23	Pan Head Screw	M5x8	2
602	2504MZC005	Tooth Lock Washer		2
612	2701FBD106	Nut	M6	1
613	10301004	Scale Bolt		1
614	10518401	Nut	M10	2
615	10201201	Pointer		1
616	2602BBLA27	Hex Socket Cap Screw	M5x20	1
617	10032ZBL	Set Ring		1
634	2502ABC417	Spring Washer	M10	1
700	2138MBL703	Angle Wrench		1
701	2138MBL704	Angle Wrench		1
849	10384901	Scale		1
876	10287601	Limit Switch Guard		1
877	10287701	Limit Switch Insulation Block		1
899	2641BBDA23	CR. RE. Round Washer HD. Screw	M5x8	5
905	2668BZDA04	CR. RE. Pan HD. Screw	M3x20	2
907	2701FZD101	Hex Nut	M3x0.5	2

Parts List for JDP-10 Drill Press

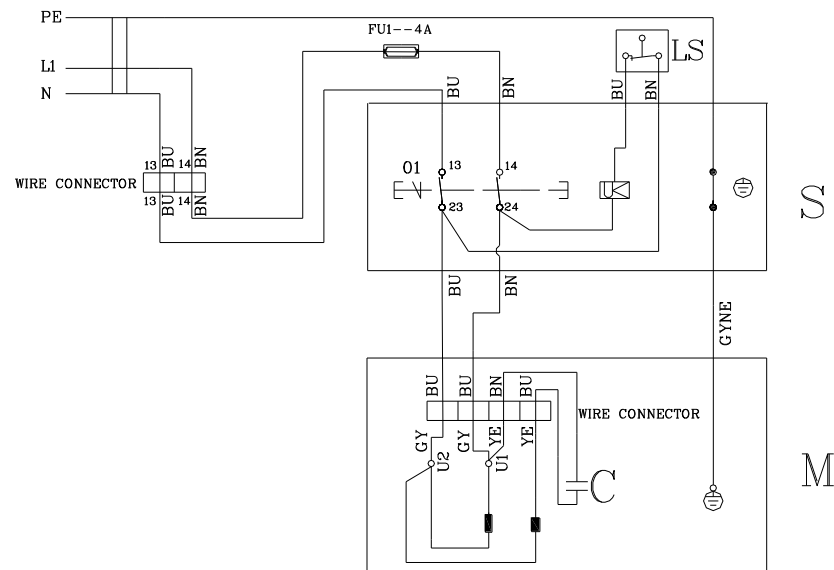
Index No.	Part No.	Descript	Size	Qty.
912.....	2705FBD105	Nut Chuck		1
913.....	2856D55B08.....	Limit Switch.....		1
920.....	10892001.....	Tension Plate.....		1
922.....	2801ABRF04.....	Strain Relief.....		2
923.....	10292301.....	Retaining Clip.....		1
924.....	10292402.....	Pressing.....		1
925.....	2660MBCE11	Cr.Re. Pan Hd. Tapping Screw.....	M4x12	2
926.....	10022Z67	Dust Guard.....		1
927.....	10392Z7S.....	Dust Guard.....		1
928.....	100330GG	Fuse Seat.....		1
929.....	280430N1	Fuse		1
930.....	28132TZ1	Wire Connector		1
931.....	2668BZDA02	Cr. Re. Pan Hd. Screw.....		1
932.....	2806555J5G	Lead Wire Ass'y		1

JDP-10

10000350M

	colour of strands	Litzenfarben	couleur des cordons
BK	black	schwarz	noir
WH	white	weiß	blanc
BU	blue	blau	bleu
YE	yellow	gelb	jaune
RD	red	rot	rouge
BN	brown	braun	brun
GY	grey	grau	gris
GNYE	green-yellow	grün-gelb	vert-jaune
OG	orange	orange	orange
VT	violet	violett	violet

	meaning of symbol	Bedeutung der Zeichen	interprétation
M	motor	Motor	moteur
S	switch	Schalter	interrupteur
C	condenser	Kondensator	condensateur
E	electronic unit	Elektronik Einheit	unité électronique
F	fuse	Sicherung	fusible
RS	reversing switch	Drehrichtungsschalter	commu. droite/gauche
CS	centrifugal switch	Fliehkraftschalter	déclencheur centrifuge
OL	overload cut-off	Überlastschutzschalter	déclencheur surcharge
LS	limit switch	Positionsendschalter	interrupteur dé fin de course



~230V, 50Hz