



HBS-1516AF Column Type Automatic Bandsaw

HBS-1516AF... 50000460T 3~400V, 50Hz

PARTS LIST



JPW Tool Group Hong Kong Limited
98 Granville Road, Tsimshatsui East, Kowloon, Hong Kong, PRC
www.jettools.com

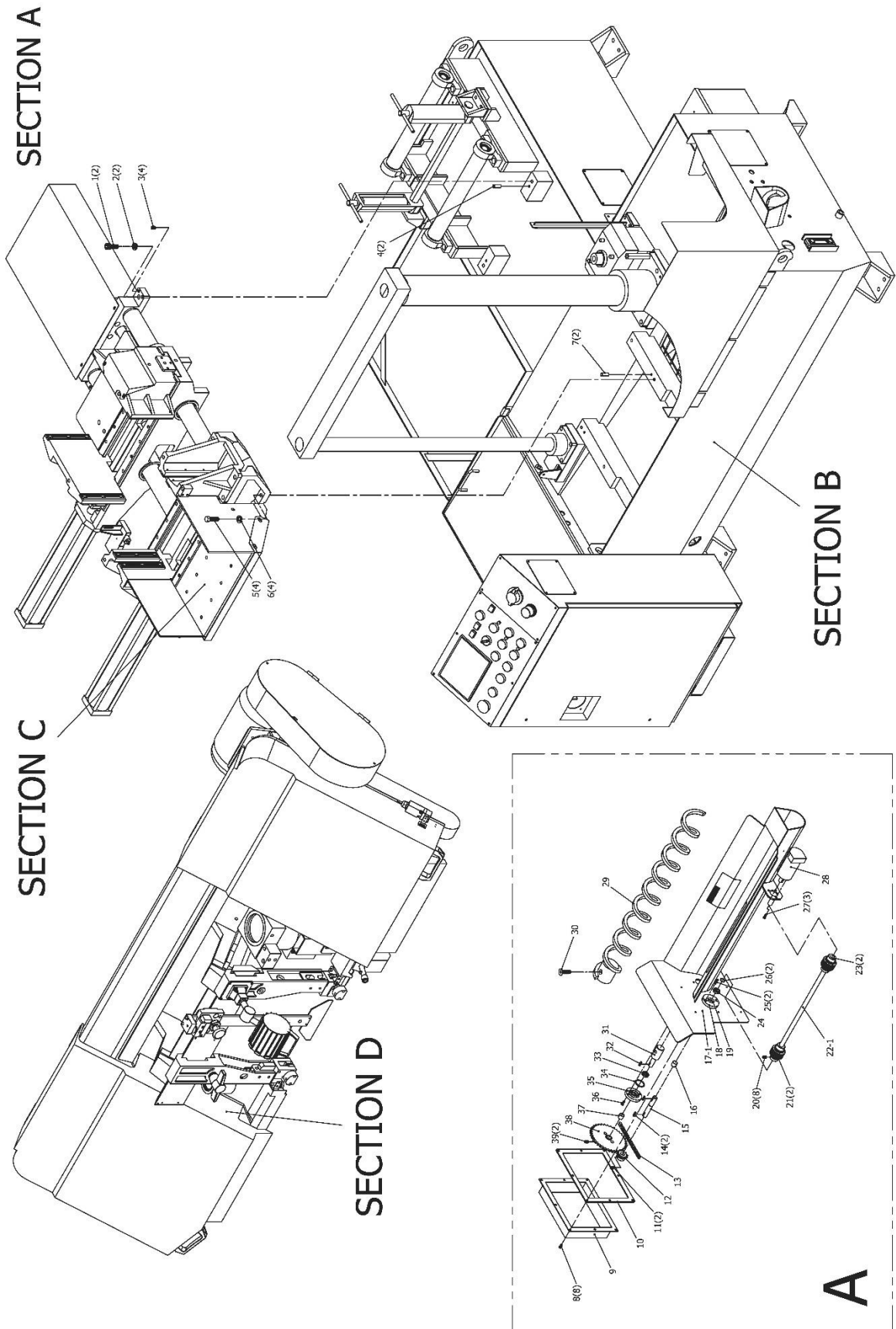
Импортер в РФ: ООО «ИТА Технолоджи»
105082, Москва, Переведеновский пер., д. 17
www.jettools.ru

Made in Taiwan / Сделано на Тайване

P-50000460T

2023-08

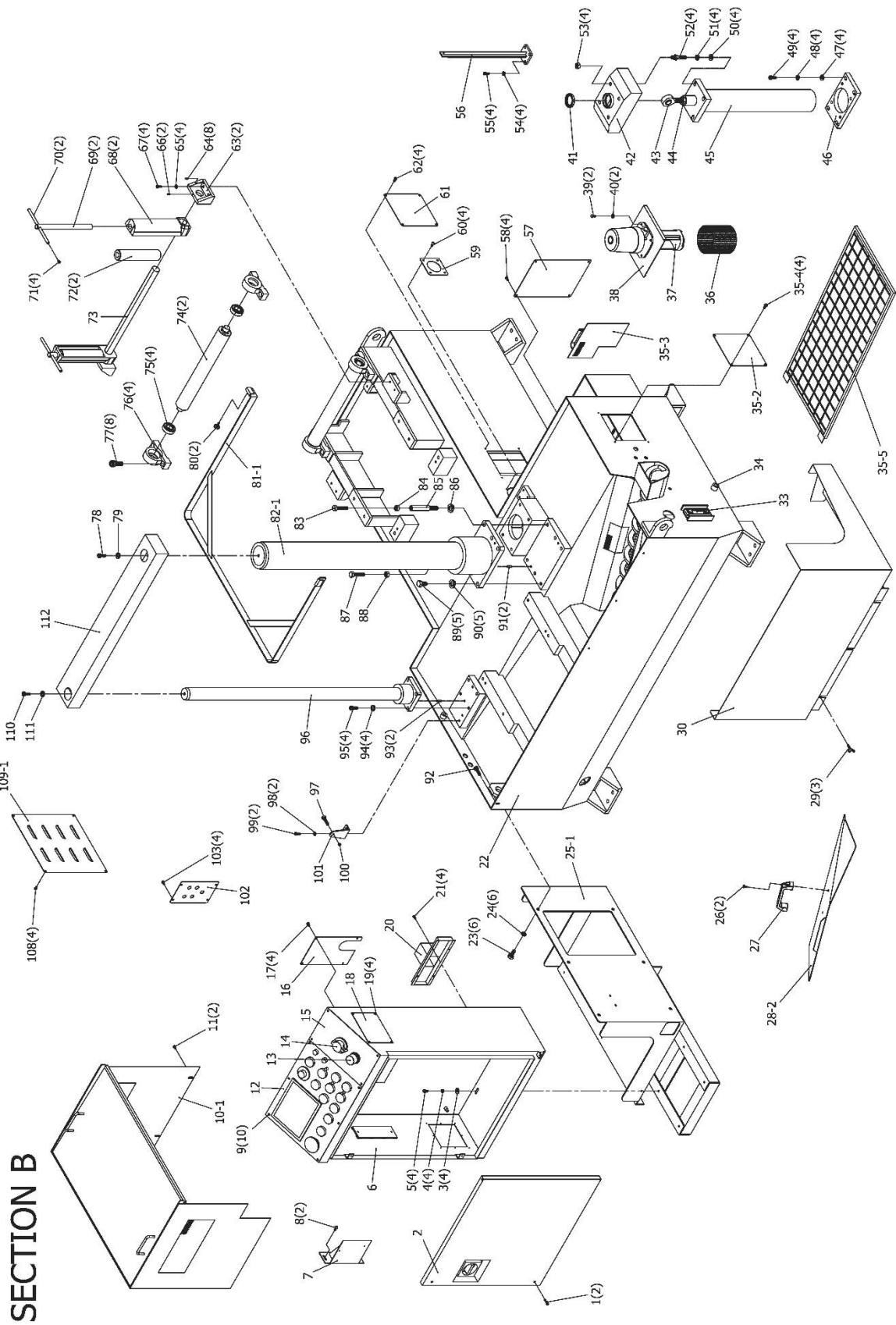
Breakdown for Conveyer structure assembly A



Part List for Conveyer structure assembly A

Index No.	Part No.	Description	Size	Q'ty
1	TS-2246082E	Socket Hex Cap Screw	M14x50L	2
2	TS-2361141E	Spring Washer	M14	2
3	TS-1526041E	Set Screw	M12x25L	4
4	SP812	Spring Pin	8x12L	2
5	TS-2211451E	Hex Cap Screw	M12x45L	4
6	TS-2361121E	Spring Washer	M12	4
7	SP812	Spring Pin	8x12L	2
8	TS-2246082E	Socket Head Button Screw	M6x8L	8
9	HBS1820AF-A8	Chain Wheel Cover		1
10	HBS1516AF-A10	Rubber Seal		1
11	TS-1523011E	Set Screw	M6x6L	2
12	HBS1820AF-A11	Small Chain Wheel		1
13	HBS1516AF-A13	Chain		1
14	KEY5520	Key	5x5x20L	2
15	HBS1820AF-A14	Small Shaft		1
16	HBS1516AF-A16	Oilless Bush	1625	1
17-1	HBS1516AF-A17-1	Conveyer Base		1
18	HBS1820AF-A17	Small Shaft Bush		1
19	ORP32	O Ring	P-32	1
20	TS-2276081E	Set Screw	M6x8L	8
21	HBS1820AF-A20	Universal Joint bush	SJD16	2
22-1	HBS1516AF-A22-1	Drive Shaft		1
23	HBS1820AF-A22	Universal Joint	SJD16	2
24	HBS1820AF-A24	Seal	16x26x7	1
25	TS-1503031E	Socket Hex Cap Screw	M6x12L	2
26	HBS1820AF-A25	C Ring	S-16	1
27	TS-1503031E	Socket Hex Cap Screw	M6x12L	3
28	HBS1516AF-A28	Chip Hydraulic Motor		1
29	HBS1516AF-A29	Conveyer Screw		1
30	HBS1516AF-A30	Flat Head Screw	M8x55L	1
31	HBS1820AF-A30	Large Chain Wheel Shaft		1
32	KEY5520	Key	5x5x20L	1
33	HBS1820AF-A32	Oil Seal	16x26x7	1
34	ORP32	O Ring P32		1
35	HBS1820AF-A34	Shaft Bush		1
36	TS-1503011E	Socket Hex Cap Screw	M6x8L	2
37	HBS1516AF-A37	Oilless Bush	1625	1
38	HBS1820AF-A37	Big Chain Wheel		1
39	TS-1523011E	Set Screw	M6x6L	2

Breakdown for Machine Body Assembly B

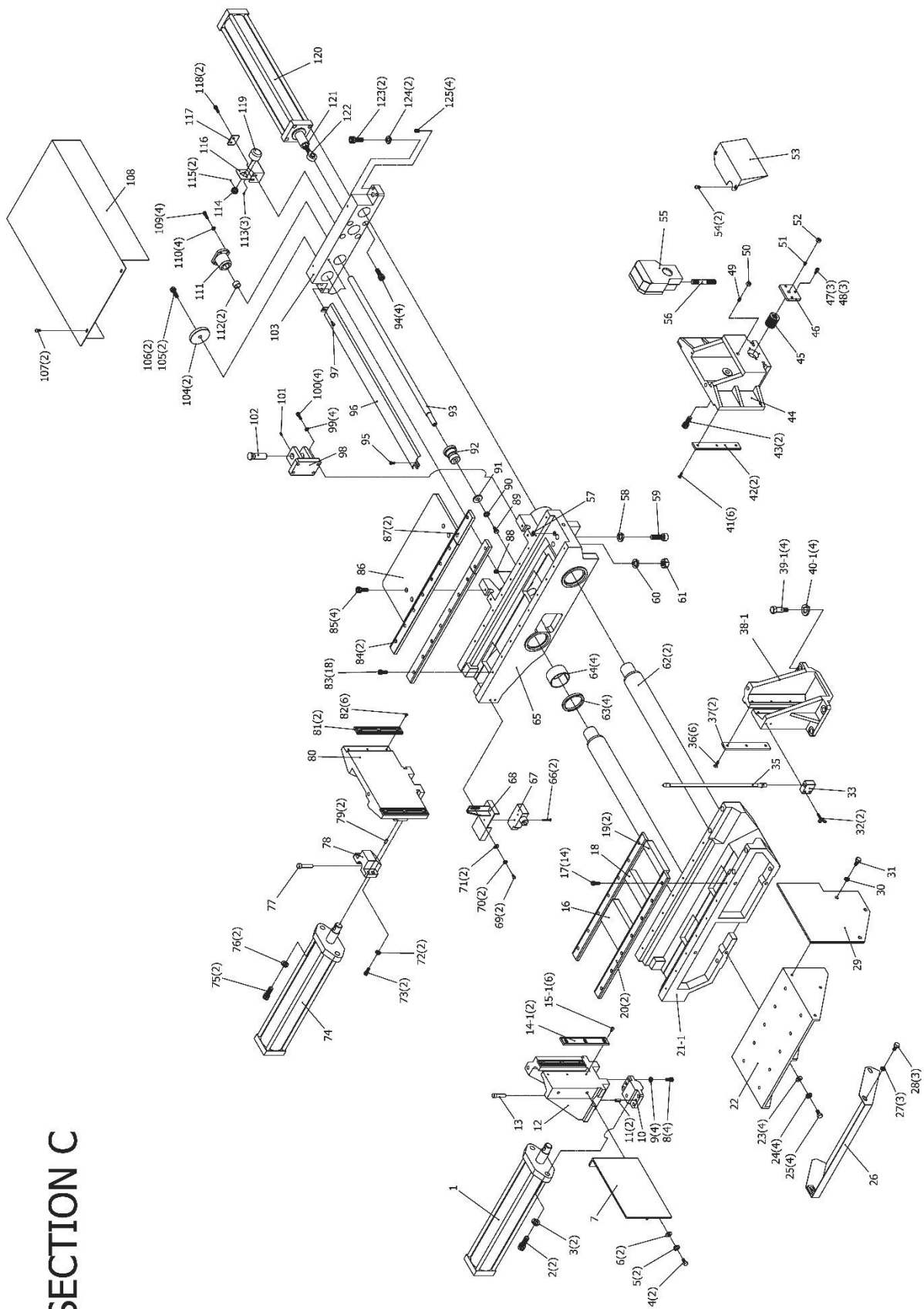


Part List for Machine Body Assembly B

Index No.	Part No.	Description	Size	Q'ty
1	TS-1503061E	Hex. Socket Cap Screw	M6x25L	2
2	HBS1516AF-B2	Cover		1
3	TS-1550061E	Washer	M8	4
4	TS-2361081E	Spring Washer	M8	4
5	TS-1490021E	Hex Cap Screw	M8x16L	4
6	HBS1516AF-B6	Electric Cabinet		1
7	HBS1820AF-B9	ON /OFF Switch Seat		1
8	TS-1503031E	Hex. Socket Cap Screw	M6x12L	2
9	TS-2245102E	Socket Head Button Screw	M5x8L	10
10-1	HBS1516AF-B10-1	Hydraulic Unit Cover		1
11	TS-2246082E	Socket Head Button Screw	M6x8L	2
12	HBS1516AF-B12	Control Panel		1
13	HBS1820AF-B16	Hydraulic Flow Control Knob		1
14	HBS1820AF-B17	Cutting Rate Adjust Knob (AL)		1
15	HBS1516AF-B15	Flow Valve Panel		1
16	HBS1516AF-B16	Rear Cover		1
17	TS-2245102E	Socket Head Button Screw	M5x8L	4
18	HBS1516AF-B18	Right Cover		1
19	TS-2245102E	Socket Head Button Screw	M5x8L	4
20	HBS1516AF-B20	Wire Channel		1
21	TS-2245102E	Socket Head Button Screw	M5x8L	4
22	HBS1516AF-B22	Machine Base		1
23	TS-1491021E	Hex Cap Screw	M10x20L	6
24	TS-1551071E	Spring Washer	M10	6
25-1	HBS1516AF-B25-1	Hydraulic Unit Bracket		1
26	HBS1820AF-B30	Big Round Head Screw	M6x12L	2
27	HBS1820AF-B31	Lift Handle		1
28-2	HBS1516AF-B28-2	Conveyor Side Plate		1
29	HBS1820AF-B34	Wing Screw	M8x12L	3
30	HBS1516AF-B30	Coolant Plate		1
33	HBS1820AF-B36	Coolant Level Gauge		1
34	HBS1820AF-B37	Plug	3/8"PT	1
35-2	HBS1516AF-B35-2	Cover		1
35-3	HBS1516AF-B35-3	Coolant Filter		1
35-4	TS-2246082E	Button Head Socket Screw	M6x8L	4
35-5	HBS1516AF-B35-5	Chip Filter		1
36	HBS1516AF-B36	Coolant Filter		1
37	HBS1516AF-B37	Coolant Pump	1/6 HP -210L	1
38	HBS1516AF-B38	Coolant Pump Seat		1
39	TS-1482051E	Hex. Cap Screw	M6x25L	2
40	TS-1551041E	Spring Washer	M6	2
41	HBS1516AF-B41	Oil Seal	40.50.8	1
42	HBS1516AF-B42	Cylinder Cover		1
43	HBS1516AF-B43	Universal Joint	POS20	1
44	TS-2310201E	Nut	M20	1
45	HBS1516AF-B45	Hydraulic Cylinder		1
46	HBS1516AF-B46	Position Plate		1
47	TS-2360121E	Washer	M12	4
48	TS-1551081E	Spring Washer	M12	4
49	HBS1516AF-B49	Steel Hex. Cap Bolt	M12x40L	4
50	TS-2360121E	Washer	M12	4
51	TS-1551081E	Spring Washer	M12	4
52	HBS1516AF-B52	Fix Screw		4
53	TS-1540081E	Nut	M12	4
54	TS-2361081E	Spring Washer	M8	4
55	TS-1504041E	Hex. Socket Cap Screw	M8x20L	4
56	HBS1516AF-B56	Contact Plate		1
57	HBS1516AF-B57	Machine Base F Cover		1

Index No.	Part No.	Description	Size	Q'ty
58	TS-2246082E	Socket Head Button Screw	M6x8L	4
59	HBS1516AF-B59	Wire Fixed Plate		1
60	TS-2246082E	Socket Head Button Screw	M6x8L	4
61	HBS1516AF-B61	Machine Base B Cover		1
62	TS-2246082E	Socket Head Button Screw	M6x8L	4
63	HBS1516AF-B63	Position Shaft Bracket		2
64	TS-1523031E	Set Screw	M6x10L	8
65	TS-2361081E	Spring Washer	M8	4
66	TS-1523031E	Set Screw	M6x10L	2
67	TS-1504051E	Hex. Socket Cap Screw	M8x25L	4
68	HBS1516AF-B68	Position Bracket		2
69	HBS1516AF-B69	Roller Shaft		2
70	HBS1516AF-B70	Handle		2
71	HBS1516AF-B71	Big Round Head Screw	M6x12L	4
72	HBS1516AF-B72	Roller		2
73	HBS1516AF-B73	Position Shaft		1
74	HBS1516AF-B74	Roller		2
75	BB6205	Ball Bearing	6205	4
76	HBS1516AF-B76	Roller Bracket		4
77	TS-1506031E	Hex. Socket Cap Screw	M12x30L	8
78	TS-1506021E	Hex. Socket Cap Screw	M12x25L	1
79	TS-1551081E	Spring Washer	M12	1
80	HBS1516AF-B80	Wing Screw	M6x12L	2
81-1	HBS1516AF-B81-1	Fence		1
82-1	HBS1516AF-B82-1	Big Column		1
83	TS-1492031E	Hex Cap Screw	M12x35L	1
84	TS-1540081E	Nut	M12	1
85	HBS1516AF-B85	Anchor Bolt		1
86	TS-2361141E	Spring Washer	M14	1
87	HBS1516AF-B87	Hex Cap Screw	M14x45L	1
88	TS-154009E	Nut	M14	1
89	HBS1516AF-B87	Hex Cap Screw	M14x45L	5
90	TS-2361141E	Spring Washer	M14	5
91	HBS1516AF-B91	Spring Pin	8x20L	2
92	TS-1504041E	Hex. Socket Cap Screw	M8x20L	1
93	HBS1516AF-B91	Spring Pin	8x20L	2
94	TS-1551081E	Spring Washer	M12	4
95	TS-1506051E	Hex. Socket Cap Screw	M12x40L	4
96	HBS1516AF-B96	Small Column		1
97	TS-1490051E	Hex Cap Screw	M8x30L	1
98	TS-2361081E	Spring Washer	M8	2
99	TS-1504031E	Hex. Socket Cap Screw	M8x16L	2
100	TS-1540061E	Nut	M8	1
101	HBS1516AF-B101	Zero Point Contact Bracket		1
102	HBS1516AF-B102	Machine Base E Cover		1
103	TS-2246082E	Socket Head Button Screw	M6x8L	4
108	TS-2246082E	Socket Head Button Screw	M6x8L	4
109-1	HBS1516AF-B109-1	Cover		1
110	HBS1516AF-B110	Hex. Socket Cap Screw	M12	1
111	TS-1551081E	Spring Washer	M12	1
112	HBS1516AF-B112	Connected Rod		1

Breakdown for Clamping System Assembly C



SECTION C

Part List for Clamping System Assembly C

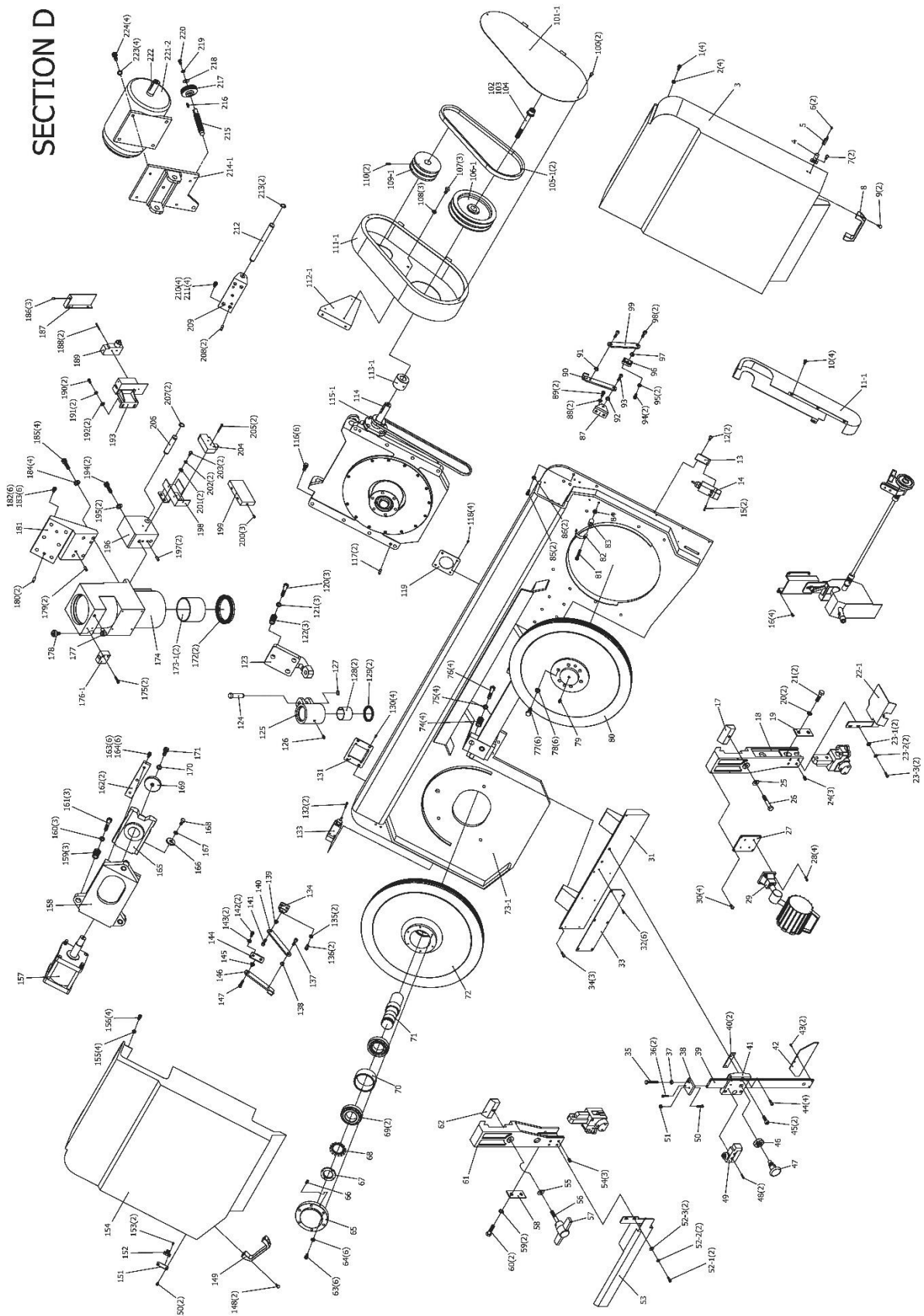
Index No.	Part No.	Description	Size	Q'ty
1	HBS1516AF-C1	Hydraulic Cylinder		1
2	HBS1516AF-C2	Hex. Socket Cap Screw	M16	2
3	TS-2361161E	Spring Washer	M16	2
4	TS-1503041E	Socket Hex Cap Screw	M10x16L	2
5	TS-2361101E	Spring Washer	M10	2
6	TS-1550071	Flat Washer	M10	2
7	HBS1516AF-C7	Assistant Plate		1
8	TS-1505021E	Socket Hex Cap Screw	M10x25L	4
9	TS-2361101E	Spring Washer	M10	4
10	HBS1516AF-C10	Connecting Block		1
11	HBS1516AF-C11	Spring Washer	M8x20L	2
12	HBS1516AF-C12	Front Vise		1
13	HBS1516AF-C13	Position Pin		1
14-1	HBS1516AF-C14-1	Fixed Vise Steel Plate		2
15-1	TS-2246122E	Button Head Socket Screw	M6x12L	6
16	HBS1516AF-C16	Attached Plate (L)		1
17	TS-1503041E	Socket Hex Cap Screw	M6x16L	14
18	HBS1516AF-C18	Attached Plate (M)		1
19	HBS1516AF-C19	Attached Plate (S)		2
20	HBS1516AF-C20	Steel Plate		2
21-1	HBS1516AF-C21-1	Vise Table		1
22	HBS1516AF-C22	Retrieval Table		1
23	TS-2360121E	Washer	M12	4
24	TS-2361121E	Spring Washer	M12	4
25	TS-1492011E	Hex Cap Screw	M12x25L	4
26	HBS1516AF-C26	Coolant Plate		1
27	TS-2361101E	Spring Washer	M10	3
28	TS-1491021E	Hex Cap Screw	M10x20L	3
29	HBS1516AF-C29	Side Plate		1
30	TS-2361101E	Spring Washer	M10	1
31	TS-1491021E	Hex Cap Screw	M10x20L	1
32	HBS1820AF-C32	Swing Screw	M6x25L	2
33	HBS1820AF-C23	Hose Seat		1
35	HBS1820AF-C25	Hose	SP105 1/4"x18"	1
36	TS-1514021E	Flat Head Screw	M6x16L	6
37	HBS1516AF-C37	Steel Plate		2
38-1	HBS1516AF-C38-1	Fixed Vise		1
39-1	HBS1516AF-C39-1	Position Screw		4
40-1	HBS1516AF-C40-1	Spring Washer	M16	4
41	TS-1514021E	Flat Head Screw	M6x16L	6
42	HBS1516AF-C37	Steel Plate		2
43	TS-1506021E	Socket Hex Cap Screw	M12x25L	1
44	HBS1516AF-C44	Feeding Vise		1
45	HBS1516AF-C45	Spring	TL35-40	1
46	HBS1516AF-C46	Spring Cover		1
47	TS-2361061E	Spring Washer	M6	3
48	TS-1503041E	Socket Hex Cap Screw	M6x16L	3
49	HBS1516AF-C49	Set Screw	M12x40L	1
50	TS-1540081E	Nut	M12	1
51	HBS1516AF-C51	Set Screw	M12x40L	1
52	TS-1540081E	Nut	M12	1
53	HBS1516AF-C53	Feeding Vise Cover		1
54	TS-1503011E	Socket Hex Cap Screw	M6x8L	2
55	HBS1516AF-C55	Floating Vise Cylinder		1
56	HBS1516AF-C56	Position Bolt	10mm	1
57	ORP11	O Ring	P11	1
58	TS-2361161E	Spring Washer	M16	1

Index No.	Part No.	Description	Size	Q'ty
59	HBS1516AF-C59	Socket Hex Cap Screw	M16x70L	1
60	TS-2361161E	Spring Washer	M16	1
61	TS-154010E	Nut	M16	1
62	HBS1516AF-C62	Feeding Guide Rod		2
63	HBS1516AF-C63	Dust Seal	DKB65x79x8/11	4
64	HBS1516AF-C64	Oilless Bush	6540	4
65	HBS1516AF-C65	Feeding Base		1
66	HBS1516AF-C66	Round Head Screw	M4x35L	2
67	HBS1516AF-C67	Limit Switch		1
68	HBS1516AF-C68	Cover		1
69	TS-1503041E	Socket Hex Cap Screw	M6x16L	2
70	TS-2361061E	Spring Washer	M6	2
71	TS-1550041E	Washer	M6	2
72	TS-2361101E	Spring Washer	M10	2
73	TS-1505021E	Socket Hex Cap Screw	M10x25L	2
74	HBS1516AF-C74	Hydraulic Cylinder		1
75	HBS1516AF-C75	Socket Hex Cap Screw	M16	2
76	TS-2361161E	Spring Washer	M16	2
77	HBS1516AF-C77	Position Pin		1
78	HBS1516AF-C78	Connecting Block		1
79	HBS1516AF-C79	Spring Pin	8x20L	2
80	HBS1516AF-C80	Feeding Vise		1
81	HBS1516AF-C81	Steel Plate		2
82	TS-1514021E	Flat Head Screw	M6x16L	6
83	TS-1503041E	Socket Hex Cap Screw	M6x16L	18
84	HBS1516AF-C84	Steel Plate		2
85	TS-1504031E	Socket Hex Cap Screw	M8x16L	4
86	HBS1516AF-C86	Assistant Plate		1
87	HBS1516AF-C87	Steel Plate		2
88	TS-1525031E	Set Screw	M10x16L	1
89	TS-1504051E	Socket Hex Cap Screw	M8x25L	1
90	TS-2361081E	Spring Washer	M8	1
91	TS-1550061E	Washer	M8	1
92	HBS1516AF-C92	Bush Seat		1
93	HBS1516AF-C93	Rack Rod		1
94	HBS1516AF-C94	Socket Hex Cap Screw		4
95	TS-1503011E	Socket Hex Cap Screw	M6x8L	1
96	HBS1516AF-C96	Cover		1
97	TS-1503011E	Socket Hex Cap Screw	M6x8L	1
98	HBS1516AF-C98	Cylinder Bracket		1
99	TS-2361081E	Spring Washer	M8	4
100	TS-1504061E	Socket Hex Cap Screw	M8x30L	4
101	TS-1523041E	Set Screw	M6x12L	1
102	HBS1516AF-C102	Shaft		1
103	HBS1516AF-C103	Position Block		1
104	HBS1516AF-C104	Washer		2
105	HBS1516AF-C105	Hex Cap Screw	M14x30L	2
106	TS-2361141E	Spring Washer	M14	2
107	TS-1503011E	Socket Hex Cap Screw	M6x8L	2
108	HBS1516AF-C108	Anti-water Cover		1
109	TS-1503041E	Socket Hex Cap Screw	M6x16L	4
110	TS-2361061E	Spring Washer	M6	4
111	HBS1516AF-C111	Shaft Bush		1
112	HBS1516AF-C112	Oilless Bush	2020	2
113	TS-2244102E	Socket Hex Button Screw	M4x6L	3
114	HBS1516AF-C114	Encoder Gear		1
115	TS-1521041E	Set Screw	M4x4L	2
116	HBS1516AF-C116	Spring		1
117	HBS1516AF-C117	Plate		1
118	TS-1503031E	Socket Hex Cap Screw	M6x12L	2
119	HBS1516AF-C119	Encoder		1

Index No.	Part No.	Description	Size	Q'ty
120	HBS1516AF-C120	Hydraulic Cylinder		1
121	TS-2310201E	Nut	M20x1.5	1
122	HBS1516AF-C122	Universal Joint	POS20	1
123	HBS1516AF-C123	Socket Hex Cap Screw	M14x45L	2
124	TS-2361141E	Spring Washer	M14	2
125	TS-1526041E	Set Screw	M12x25L	4

Breakdown for Bow System Assembly D

SECTION D



Part List for Bow System Assembly D

Index No.	Part No.	Description	Size	Q'ty
1	TS-1503041	Socket Hex Cap Screw	M6x16L	4
2	TS-2361061	Spring Washer	M6	4
3	HBS1516AF-D3	Driver Wheel Cover		1
4	HBS1820AF-D6	Latch Bracket		1
5	HBS1516AF-D5	Latch		1
6	TS-2244102	Socket Hd Button Screw	M4x6L	2
7	TS-1502011	Socket Hex Cap Screw	M5x8L	2
8	HBS1820AF-D10	Plastic Handle		1
9	TS-2246162	Socket Hd Button Screw	M6x16L	2
10	TS-1502011	Socket Hex Cap Screw	M5x8L	4
11-1	HBS1516AF-D11-1	Cover		1
12	TS-1502011	Socket Hex Cap Screw	M5x8L	2
13	HBS1820AF-D15	Position Bracket		1
14	HBS1820AF-D16	Limit Switch	EK-1-15-R	1
15	TS-1501091E	Hex. Socket Cap Screw	M4x35L	2
16	TS-1503011E	Socket Hex Cap Screw	M6x8L	4
17	HBS1516AF-D17	Position Block		1
18	HBS1516AF-D18	Guide Post (Rear)		1
19	HBS1820AF-D21	Plate		1
20	TS-2361121	Spring Washer	M12	2
21	HBS1516AF-D21	Steel Hex. Cap Bolt	M12x35L	2
22-1	HBS1516AF-D22-1	Blade Guard (Rear)		1
23-1	HBS1516AF-D23-1	Washer	M6	2
23-2	HBS1516AF-D23-2	Spring Washer	M6	2
23-3	TS-1503041E	Hex. Socket Cap Screw	M6x16L	2
24	HBS1820AF-D26	Set Screw	M10x16L	3
25	TS-2361121	Spring Washer	M12	1
26	HBS1820AF-D23	Steel Hex. Cap Bolt	M12x35L	1
27	HBS1516AF-D27	Position Plate		1
28	HBS1820AF-D30	Round Head Screw	M6x10L	4
29	HBS1516AF-D29	Working Lamp		1
30	TS-1502031E	Socket Hex Cap Screw	M5x12L	4
31	HBS1516AF-D31	Steel Plate		1
32	TS-1502021E	Socket Hex Cap Screw	M5x8L	6
33	HBS1516AF-D33	Guide Scale		1
34	TS-1503011E	Socket Hex Cap Screw	M6x8L	3
35	HBS1516AF-D35	Hex. Socket Cap Screw	M8	1
36	TS-1503051	Socket Hex Cap Screw	M6x20L	2
37	TS-1540061	Nut	M8	1
38	HBS1516AF-D38	Weight Block		1
39	HBS1516AF-D39	Sensor Probe Plate		1
40	HBS1516AF-D40	Assistant Plate		2
41	HBS1516AF-D41	Probe Plate Seat		1
42	HBS1516AF-D42	Sensor Probe Foot (Feeler)		1
43	HBS1516AF-D43	Flat Head Screw	M5x10L	2
44	TS-1503051	Socket Hex Cap Screw	M6x20L	4
45	TS-1506031E	Socket Hex Cap Screw	M12x30L	2
46	TS-2311201	Nut	M20x2.5	1
47	HBS1516AF-D47	Spring Connecting Pin		1
48	TS-1501091E	Socket Hex Cap Screw	M4x35L	2
49	HBS1516AF-D49	Limit Switch		1
50	HBS1516AF-D35	Hex. Socket Cap Screw	M8	1
51	TS-1540061	Nut	M8	1
52-1	TS-1503041E	Hex. Socket Cap Screw	M6x16L	2
52-2	HBS1516AF-D52-2	Spring Washer	M6	2
52-3	HBS1516AF-D52-3	Washer	M6	2
53	HBS1516AF-D53	Blade Guard (Front)		1
54	TS-1525031	Set Screw	M10x16L	3

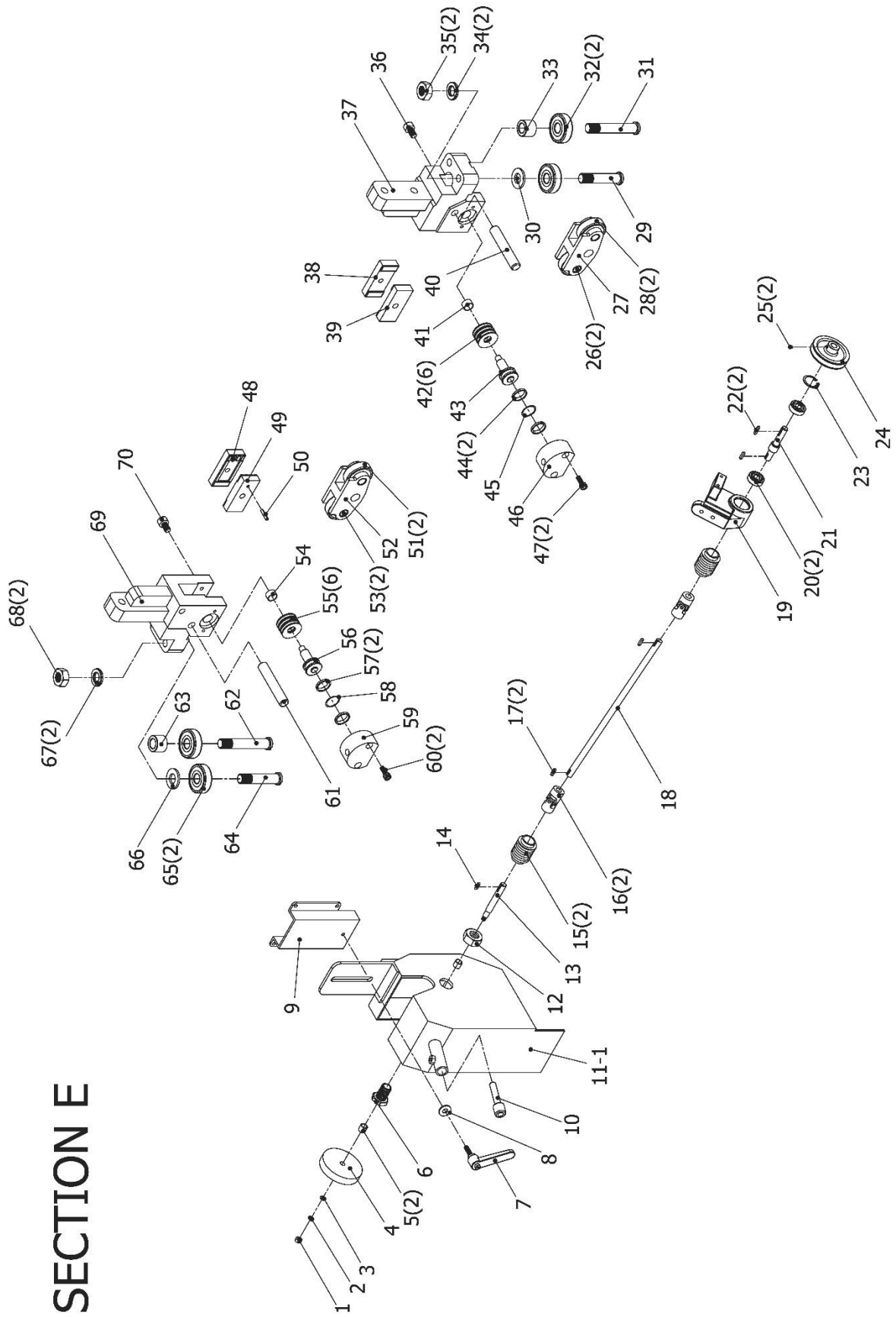
Index No.	Part No.	Description	Size	Q'ty
55	TS-2360121	Flat Washer	M12	1
56	HBS1516AF-D56	Shaft		1
57	HBS1516AF-D57	Handle (Left)		1
58	HBS1820AF-D21	Plate		1
59	TS-2361121	Spring Washer	M12	2
60	HBS1516AF-D60	Steel Hex. Cap Bolt	M12x35L	2
61	HBS1516AF-D61	Guide Post (Front)		1
62	HBS1516AF-D17	Position Block		1
63	TS-1504051E	Socket Hex Cap Screw	M8x25L	6
64	TS-2361081	Spring Washer	M8	6
65	HBS1516AF-D65	Cover		1
66	HBS1516AF-D66	Oil Nipple		1
67	HBS1516AF-D67	Nut	AN10	1
68	HBS1516AF-D68	Teeth Washer	AW10	1
69	BB32210	Bearing	32210	2
70	HBS1516AF-D70	Spacer		1
71	HBS1516AF-D71	Shaft		1
72	HBS1516AF-D72	Idle Wheel		1
73-1	HBS1516AF-D73-1	Saw Bow		1
74	HBS1516AF-D74	Adjusting Screw		4
75	TS-2361121	Spring Washer	M12	4
76	TS-2211651	Hex Cap Screw	M12x65L	4
77	TS-1492031	Hex Cap Screw	M12x35L	6
78	TS-2361121	Spring Washer	M12	6
79	HBS1820AF-D72	Oil Nipple	PT1/8"	1
80	HBS1516AF-D80	Drive Wheel		1
81	TS-1504041E	Socket Hex Cap Screw	M8	1
82	HBS1516AF-D82	Blade Clip		1
83	HBS1516AF-D83	Bush		1
84	TS-1540061	Nut	M8	1
85	TS-1504041E	Socket Hex Cap Screw	M8x20L	2
86	TS-2361081	Spring Washer	M8	2
87	HBS1820AF-D97	Upper Arm Base		1
88	TS-2361081	Spring Washer	M8	2
89	TS-1504061E	Socket Hex Cap Screw	M8x30L	2
90	HBS1516AF-D90	Short Arm		1
91	HBS1516AF-D91	Long Arm Collar		1
92	HBS1516AF-D91	Long Arm Collar		1
93	TS-1504041E	Socket Hex Cap Screw	M8x20L	1
94	TS-1504061E	Socket Hex Cap Screw	M8x30L	2
95	TS-2361081	Spring Washer	M8	2
96	HBS1516AF-D96	Arm Base		1
97	HBS1516AF-D97	Long Arm Collar		1
98	TS-1504061E	Socket Hex Cap Screw	M8x30L	2
99	HBS1516AF-D99	Long Arm		1
100	HBS1516AF-D100	Big Round Head Screw	M6x12L	2
101-1	HBS1516AF-D101-1	Pulley Cover		1
102	TS-1505051E	Hex. Socket Cap Screw	M10x35L	1
103	TS-2361101	Spring Washer	M10	1
104	TS-1550071	Flat Washer	M10	1
105-1	HBS1516AF-D105-1	Belt	22-440C	1
106-1	HBS1516AF-D106-1	Worm Shaft Pulley		1
107	TS-1503031	Hex. Socket Cap Screw	M6x12L	3
108	TS-2361061	Spring Washer	M6	3
109-1	HBS1516AF-D109-1	Motor Pulley		1
110	TS-1524061	Set Screw	M8x25L	2
111-1	HBS1516AF-D111-1	Pulley Box		1
112-1	HBS1516AF-D112-1	Position Bracket		1
113-1	HBS1516AF-D113-1	Spacer		1
114	HBS1516AF-D114	Key	7x7x50L	1
115-1	HBS1516AF-D115-1	Belt	M47	1

Index No.	Part No.	Description	Size	Q'ty
116	TS-1506051E	Hex. Socket Cap Screw	M12x40L	6
117	SP1030	Spring Pin	10x30L	2
118	TS-1502021E	Socket Hex Cap Screw	M5x8L	4
119	HBS1516AF-D119	Fix Plate		1
120	TS-2211651	Hex Cap Screw	M12x65L	3
121	TS-2361121	Spring Washer	M12	3
122	HBS1516AF-D122	Adjusting Screw		3
123	HBS1516AF-D123	Adjusting Bracket		1
124	HBS1516AF-D124	Shaft		1
125	HBS1516AF-D125	Shaft Bush		1
126	HBS1516AF-D126	Oil Nipple	PT1/8"	1
127	CRS16	C Ring	S16	1
128	OB5030	Oilless Bush	5030	2
129	OSTC50658	Oil Seal	TC50x65x8	2
130	TS-1504021E	Socket Hex Cap Screw	M8x12L	4
131	HBS1516AF-D131	Fix Plate		1
132	TS-1501091E	Socket Hex Cap Screw	M4x35L	2
133	HBS1516AF-D133	Limit Switch	EK-1-15-R	1
134	HBS1516AF-D96	Arm Base		1
135	TS-2361081	Spring Washer	M8	2
136	TS-1504061E	Socket Hex Cap Screw	M8x30L	2
137	TS-1504061E	Socket Hex Cap Screw	M8x30L	1
138	HBS1516AF-D138	Long Arm Collar		1
139	HBS1516AF-D138	Long Arm Collar		1
140	HBS1516AF-D139	Long Arm		1
141	TS-1504061E	Socket Hex Cap Screw	M8x30L	1
142	TS-1504061E	Socket Hex Cap Screw	M8x30L	2
143	TS-2361081	Spring Washer	M8	2
144	HBS1820AF-D154	Upper Arm Base		1
145	HBS1516AF-D138	Long Arm Collar		1
146	HBS1516AF-D146	Short Arm		1
147	TS-1504061E	Hex. Socket Cap Screw	M8x30L	1
148	HBS1516AF-D148	Big Round Head Screw	M6x16L	2
149	HBS1516AF-D149	Plastic Handle		1
150	TS-1502021E	Socket Hex Cap Screw	M5x8L	2
151	HBS1516AF-D151	Latch Bracket		1
152	HBS1516AF-D152	Latch		1
153	TS-2244102	Round Head Screw	M4x6L	2
154	HBS1516AF-D154	Idle Wheel Cover		1
155	TS-2361061	Spring Washer	M6	4
156	TS-1503041E	Socket Hex Cap Screw	M6x16L	4
157	HBS1516AF-D157	Blade Tension Cylinder		1
158	HBS1516AF-D158	Slide Seat		1
159	HBS1516AF-D159	Adjusting Screw		3
160	TS-2361141	Spring Washer	M14	3
161	HBS1516AF-D161	Hex Cap Screw	M14x60L	3
162	HBS1516AF-D162	Plate		2
163	TS-2361081	Spring Washer	M8	6
164	TS-1504051E	Socket Hex Cap Screw	M8x25L	6
165	HBS1516AF-D165	Slide Plate		1
166	HBS1516AF-D166	Washer		1
167	TS-2361121	Spring Washer	M12	1
168	TS-1492021	Hex Cap Screw	M12x30L	1
169	HBS1516AF-D169	Washer		1
170	TS-2361121	Spring Washer	M12	1
171	TS-1492031	Hex Cap Screw	M12x35L	1
172	OSTC11013012	Oil Seal	TC110x130x12	2
173-1	HBS1516AF-D173-1	Oilless Bush		2
174	HBS1516AF-D174	Shaft Bush		1
175	TS-1503061E	Socket Hex Cap Screw	M6x25L	2
176-1	HBS1516AF-D176-1	Hose Seat		1

Index No.	Part No.	Description	Size	Q'ty
177	HBS1516AF-D177	90° Fitting	1/8x1/8	1
178	HBS1516AF-D178	Oil Cup		1
179	SP1030	Spring Pin	10x30L	2
180	SP1030	Spring Pin	10x30L	2
181	HBS1516AF-D181	Shaft Bush Bracket		1
182	TS-2361121	Spring Washer	M12	6
183	TS-1506051E	Socket Hex Cap Screw	M12x40L	6
184	TS-2361121	Spring Washer	M12	4
185	TS-1506051E	Socket Hex Cap Screw	M12x40L	4
186	TS-1502021E	Socket Hex Cap Screw	M5x8L	3
187	HBS1516AF-D187	Cover		1
188	TS-1501091E	Socket Hex Cap Screw	M4x35L	2
189	HBS1516AF-D189	Limit Switch		1
190	TS-1503031E	Socket Hex Cap Screw	M6x12L	2
191	TS-2361061	Spring Washer	M6	2
192	TS-1550041	Flat Washer	M6	2
193	HBS1516AF-D193	Limit Switch Bracket		1
194	TS-1506031E	Socket Hex Cap Screw	M12x30L	2
195	TS-2361121	Spring Washer	M12	2
196	HBS1516AF-D196	Upper Bracket		1
197	SP0820	Spring Pin	8x20L	2
198	HBS1516AF-D198	Lower Bracket		1
199	HBS1516AF-D199	Cover		1
200	TS-1502021E	Socket Hex Cap Screw	M5x8L	3
201	TS-1550041	Flat Washer	M6	2
202	TS-2361061	Spring Washer	M6	2
203	TS-1503031E	Socket Hex Cap Screw	M6x12L	2
204	HBS1516AF-D204	Limit Switch		1
205	TS-1501091E	Socket Hex Cap Screw	M4x35L	2
206	HBS1516AF-D206	Cylinder Support Rod		1
207	CRS20	C Ring	S20	2
208	SP0820	Spring Pin	8x20L	2
209	HBS1516AF-D209	Position Bracket		1
210	TS-2361101	Spring Washer	M10	4
211	TS-1505041E	Socket Hex Cap Screw	M10x30L	4
212	HBS1516AF-D212	Shaft		1
213	CRS20	C Ring	S20	2
214-1	HBS1516AF-D214-1	Adjusting Bracket		1
215	HBS1516AF-D215	Adjusting Bolt		1
216	HBS1516AF-D216	Key	4x4x10L	1
217	HBS1516AF-D217	Handle		1
218	TS-1550041	Flat Washer	M6	1
219	TS-2361061	Spring Washer	M6	1
220	TS-1503031E	Socket Hex Cap Screw	M6x12L	1
221-2	HBS1516AF-D221-2	Motor	5HP	1
222	HBS1516AF-D222	Key	7x8x50L	1
223	TS-2361101	Spring Washer	M10	4
224	TS-1505031	Hex. Socket Cap Screw	M10x25L	4

Breakdown for Bearing Guide System Assembly E

SECTION E

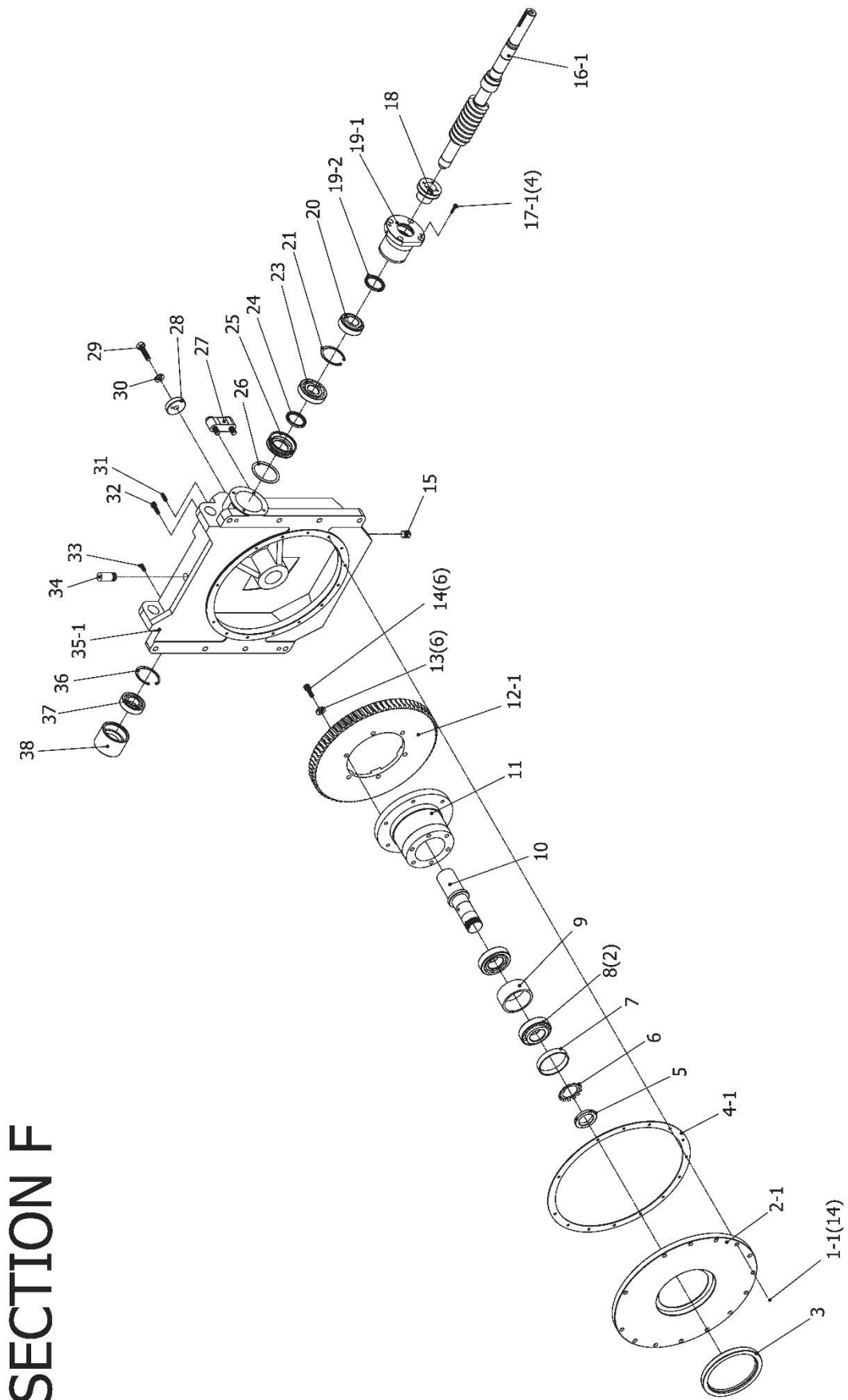


Part List for Bearing Guide System Assembly E

Index No.	Part No.	Description	Size	Q'ty
1	HBS1820AF-E1	Nut	M8	1
1	TS-1540061E	Nut	M8	1
2	TS-2361081E	Spring Washer	M8	1
3	TS-1550061E	Washer	M8	1
4	HBS1516AF-E4	Chip Brush		1
5	OB1212	Oilless Bush	1212	2
6	HBS1820AF-E6	Shaft Bush		1
7	HBS1820AF-E8	Locking Handle	M8x30L	1
8	TS-1550061E	Washer	M8	1
9	HBS1820AF-E9	Position Bracket		1
10	HBS1820AF-E10	Cleaning Pipe		1
11-1	HBS1820AF-E11-1	Brush Cover		1
12	TS-2310201E	Nut	M20x2.5	1
13	HBS1820AF-E13	Brush Shaft		1
14	KEY415	Key	4x15L	1
15	HBS1820AF-E15	Rubber Cover	KT12	2
16	HBS1820AF-E16	Universal Joint	KT12	2
17	KEY415	Key	4x15L	2
18	HBS1820AF-E18	Brush Drive Shaft		1
19	HBS1820AF-E19	Bearing Seat		1
20	BB6201	Bearing	6201	2
21	HBS1820AF-E20	Shaft		1
22	KEY415	Key	4x15L	2
23	CR32	C Ring	R32	1
24	HBS1820AF-E23	Pulley		1
25	TS-2276081E	Set Screw	M6x8L	2
26	SP1020	Steel Pin	10x20L	2
27	HBS1516AF-E27	Bearing Seat		1
28	BB6200	Bearing	6200	2
29	HBS1516AF-E29	Bearing Shaft (Short)		1
30	TS-1550071E	Washer	M10	1
31	HBS1516AF-E31	Bearing Shaft (Long)		1
32	BB6200	Bearing	6200	2
33	HBS1516AF-E33	Locking Bush		1
34	TS-2361101E	Spring Washer	M10	2
35	TS-1540071E	Nut	M10	2
36	TS-1503031E	Socket Hex Cap Screw	M6x12L	1
37	HBS1516AF-E37	Blade Guide Block (Rear)		1
38	HBS1516AF-E38	Carbide Guide		1
39	HBS1516AF-E39	Carbide Guide		1
40	HBS1516AF-E40	Steel Pin	10x50L	1
41	OB1210	Oilless Bush	1210	1
42	HBS1820AF-E40	Disc Washer	231210	6
43	HBS1820AF-E41	Piston		1
44	HBS1820AF-E42	Teflon	TP-20x24x1.25	2
45	ORP20	O Ring	P20	1
46	HBS1820AF-E44	Cylinder		1
47	TS-1502041E	Socket Hex Cap Screw	M5x16L	2
48	HBS1820AF-E48	Carbide Guide		1
49	HBS1820AF-E49	Carbide Guide		1
50	HBS1820AF-E50	Spring Pin	4x12L	1
51	BB6200	Bearing	6200	2
52	HBS1516AF-E27	Bearing Seat		1
53	HBS1516AF-E28	Steel Pin	10x20L	2
54	OB1210	Oilless Bush	1210	1
55	HBS1820AF-E52	Disc Washer	231210	6
56	HBS1820AF-E41	Piston		1
57	HBS1516AF-E57	Teflon	TP-20x24x1.25	2

Index No.	Part No.	Description	Size	Q'ty
58	ORP20	O Ring	P20	1
59	HBS1820AF-E54	Cylinder		1
60	TS-1502041E	Socket Hex Cap Screw	M5x16L	2
61	HBS1516AF-E40	Steel Pin	10x50L	1
62	HBS1516AF-E62	Long Shaft		1
63	HBS1516AF-E33	Spacer		1
64	HBS1516AF-E29	Short Shaft		1
65	BB6200	Bearing	6200	2
66	TS-1550071E	Washer	M10	1
67	TS-2361101E	Spring Washer	M10	2
68	TS-1540071E	Nut	M10	2
69	HBS1516AF-69	Blade Guide Block (Front)		1
70	TS-1503031E	Socket Hex Cap Screw	M6x12L	1

Breakdown for Gear Box Assembly F



SECTION F

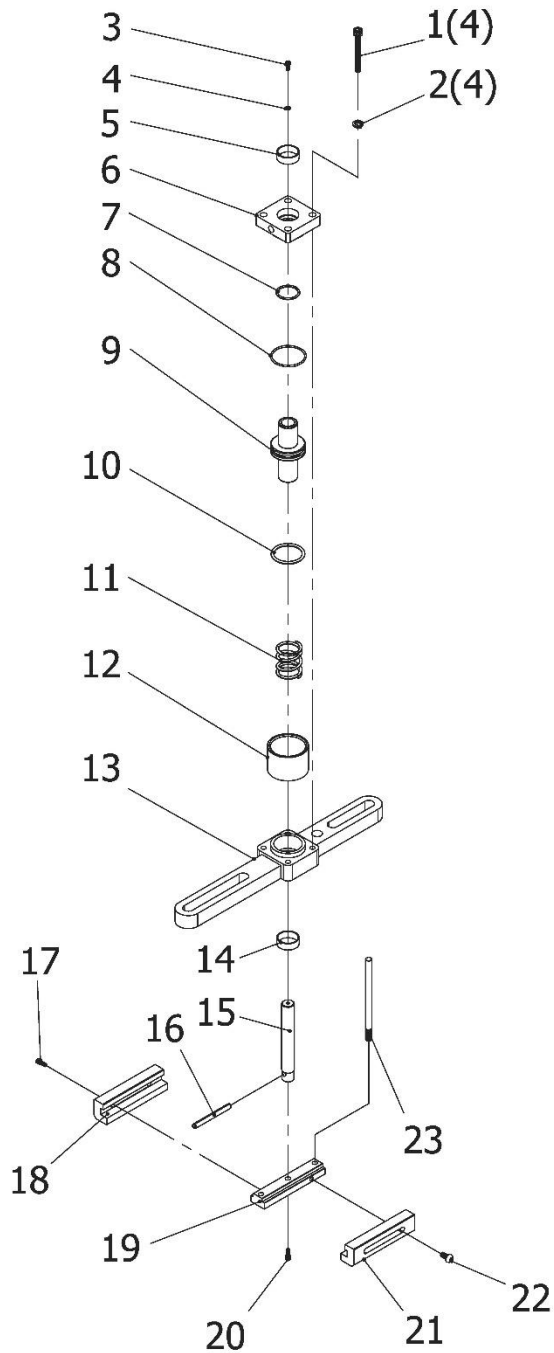
Part List for Gear Box Assembly F

Index No.	Part No.	Description	Size	Q'ty
1-1	TS-1502041E	Hex. Socket Cap Screw	M5x16L	14
2-1	HBS1516AF-F2-1	Gear Box Cover		1
3	HBS1516AF-F3	Oil Seal	130.160.14	1
4-1	HBS1516AF-F4-1	Rubber Ring		1
5	HBS1516AF-F5	Nut		1
6	HBS1516AF-F6	Teeth Washer		1
7	HBS1516AF-F7	Spacer (Small)		1
8	BB32208	Bearing	E32208J	2
9	HBS1516AF-F9	Spacer (Big)		1
10	HBS1516AF-F10	Driver Wheel Shaft		1
11	HBS1516AF-F11	Worm Gear Seat		1
12-1	HBS1516AF-F12-1	Worm Gear		1
13	TS-2361101E	Spring Washer	M10	6
14	TS-1505051E	Hex. Socket Cap Screw	M10x35L	6
15	HBS1516AF-F15	Plug	PT1/4"	1
16-1	HBS1516AF-F16-1	Worm		1
17-1	TS-1504051E	Hex. Socket Cap Screw	M8x25L	4
18	HBS1516AF-F18	Brush Drive Wheel		1
19-1	HBS1516AF-F19-1	Bearing Seat		1
19-2	HBS1516AF-F19-2	Oil Seal	40.52.6	1
20	BB32206	Bearing	32206J	1
21	CR62	C Ring	R62	1
23	BB30306	Bearing	E30306J	1
24	HBS1516AF-F24	Oil Seal	40.52.6	1
25	HBS1516AF-F25	Dust Seal		1
26	ORP62	O Ring	P62	1
27	HBS1516AF-F27	Coolant Level Gauge		1
28	HBS1516AF-F28	Setting Ring		1
29	HBS1516AF-F29	Steel Hex. Cap Bolt	M12x35L	1
30	HBS1516AF-F30	Spring Washer	M12	1
31	HBS1516AF-F31	Set Screw	M6x25L	1
32	TS-1503061E	Hex. Socket Cap Screw	M6x25L	1
33	HBS1516AF-F33	Set Screw	M8x25L	1
34	HBS1516AF-F34	Oil Pipe	PT1/2"	1
35-1	HBS1516AF-F35-1	Gear Reducer		1
36	CR62	C Ring	R62	1
37	BB6206ZZ	Bearing	6206ZZ	1
38	HBS1516AF-F38	Bushing		1

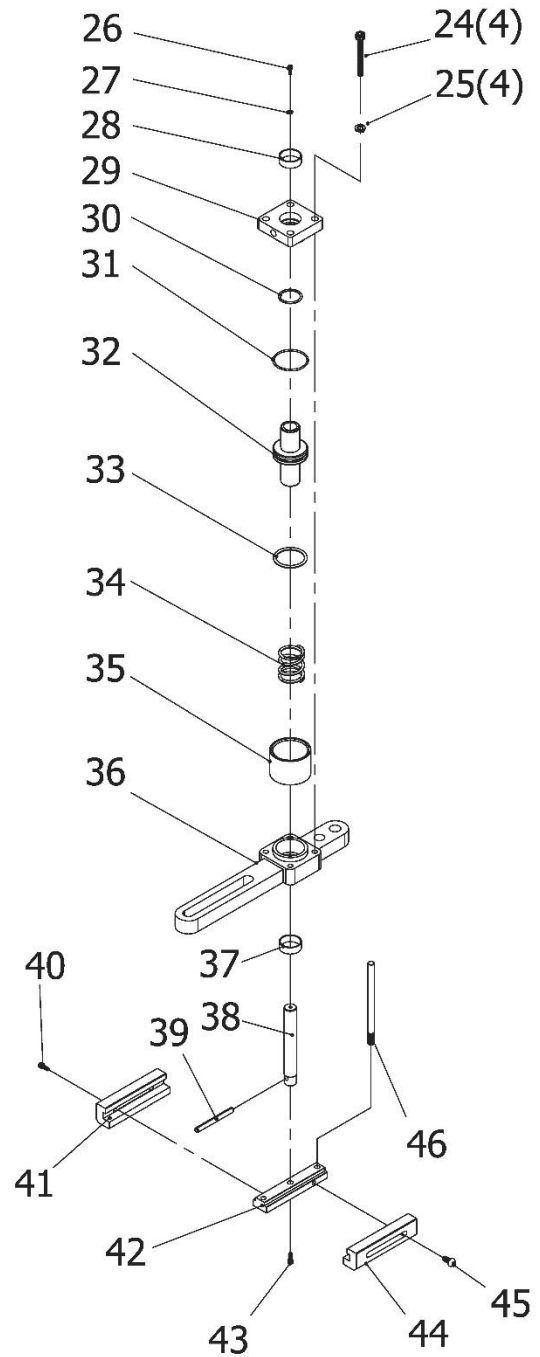
Breakdown for Hydraulic Vertical Press System Assembly (Optional)

SECTION G (OPTIONAL)

For Front Vise



For Feeding Vise

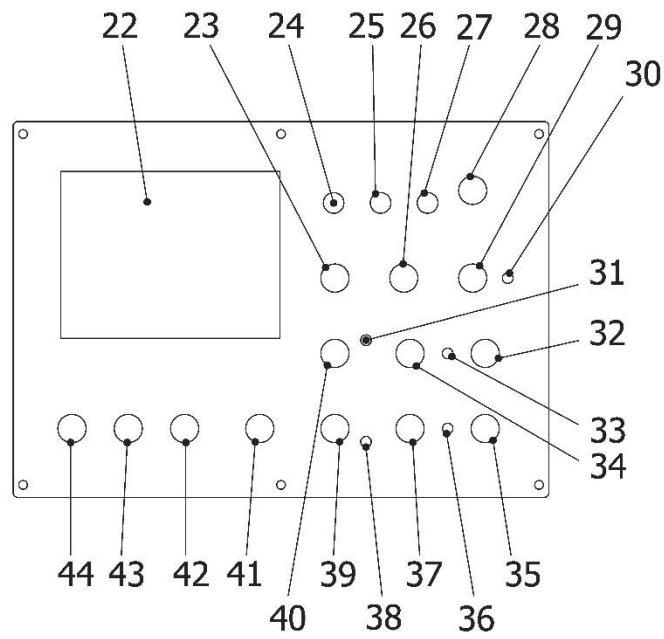
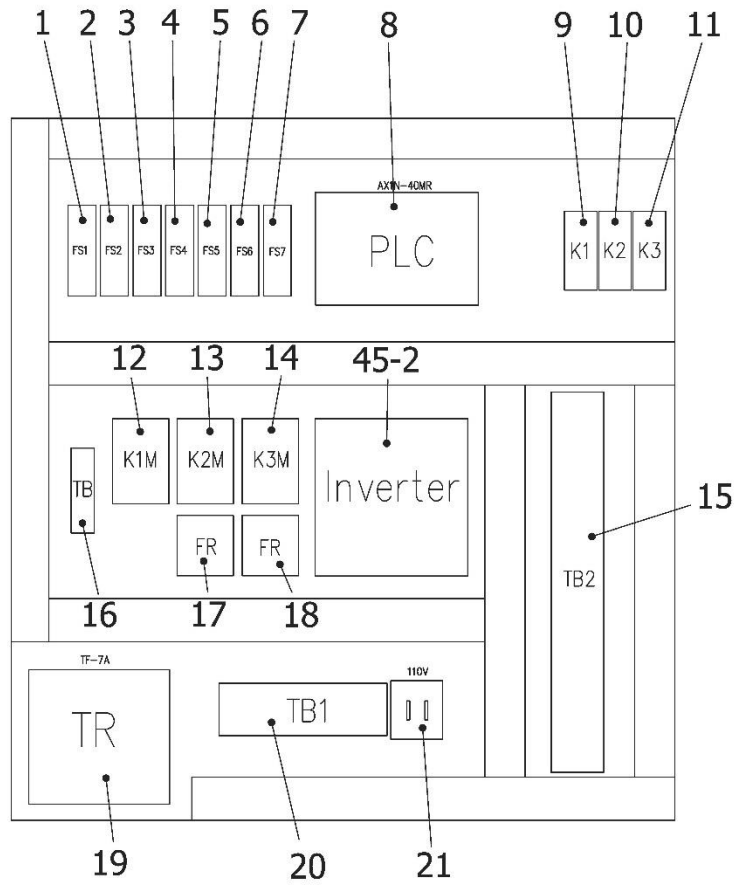


Part List for Hydraulic Vertical Press System Assembly (Optional)

Index No.	Part No.	Description	Size	Q'ty
	HBS1516AF-HVVPSK	Hydraulic Vise Vertical Press System Kit		
		including HBS1516AF-HVVPSF and HBS1516AF-HVVPSR		
	HBS1516AF-HVVPSF	Hydraulic Vise Vertical Press System (front)		
		including 1~23		1
1	HBS1516AF-G1	Hex. Socket Cap Screw	M10x80L	4
2	TS-2361101E	Spring Washer	M10	4
3	TS-1503031E	Hex. Socket Cap Screw	M6x12L	1
4	HBS1516AF-G4	Washer	M6	1
5	OB3012	Oilless Bush	3012	1
6	HBS1516AF-G6	Top Cover		1
7	ORP30	O Ring	P30	1
8	ORG50	O Ring	G50	1
9	HBS1516AF-G9	Piston		1
10	ORP49	O Ring	P49	1
11	HBS1516AF-G11	Spring		1
12	HBS1516AF-G12	Shaft		1
13	HBS1516AF-G13	Press Base		1
14	OB3012	Oilless Bush	3012	1
15	HBS1516AF-G15	Screw		1
16	HBS1516AF-G16	Spring Pin	.8x100L	1
17	TS-1504051E	Button Head Socket Screw	M8x25L	1
18	HBS1516AF-G18	Adjusting Plate		1
19	HBS1516AF-G19	Press Block		1
20	TS-1504041E	Hex. Socket Cap Screw	M8x20L	1
21	HBS1516AF-G18	Adjusting Plate		1
22	TS-1504051E	Button Head Socket Screw	M8x25L	1
23	HBS1516AF-G23	Support Bar		1
	HBS1516AF-HVVPSR	Hydraulic Vise Vertical Press System (rear)		
		including 24~46		1
24	HBS1516AF-G1	Hex. Socket Cap Screw	M10x80L	4
25	TS-2361101E	Spring Washer	M10	4
26	TS-1503031E	Hex. Socket Cap Screw	M6x12L	1
27	HBS1516AF-G4	Washer	M6	1
28	OB3012	Oilless Bush	3012	1
29	HBS1516AF-G6	Top Cover		1
30	ORP30	O Ring	P30	1
31	ORG50	O Ring	G50	1
32	HBS1516AF-G9	Piston		1
33	ORP49	O Ring	P49	1
34	HBS1516AF-G11	Spring		1
35	HBS1516AF-G12	Shaft		1
36	HBS1516AF-G36	Press Base		1
37	OB3012	Oilless Bush	3012	1
38	HBS1516AF-G15	Screw		1
39	HBS1516AF-G16	Spring Pin	.8x100L	1
40	TS-1504051E	Socket Head Cap Screw	M8x25L	1
41	HBS1516AF-G18	Adjusting Plate		1
42	HBS1516AF-G19	Press Block		1
43	TS-1504041E	Hex. Socket Cap Screw	M8x20L	1
44	HBS1516AF-G18	Adjusting Plate		1
45	TS-1504051E	Socket Head Cap Screw	M8x25L	1
46	HBS1516AF-G23	Support Bar		1

Breakdown for Electric Box Assembly

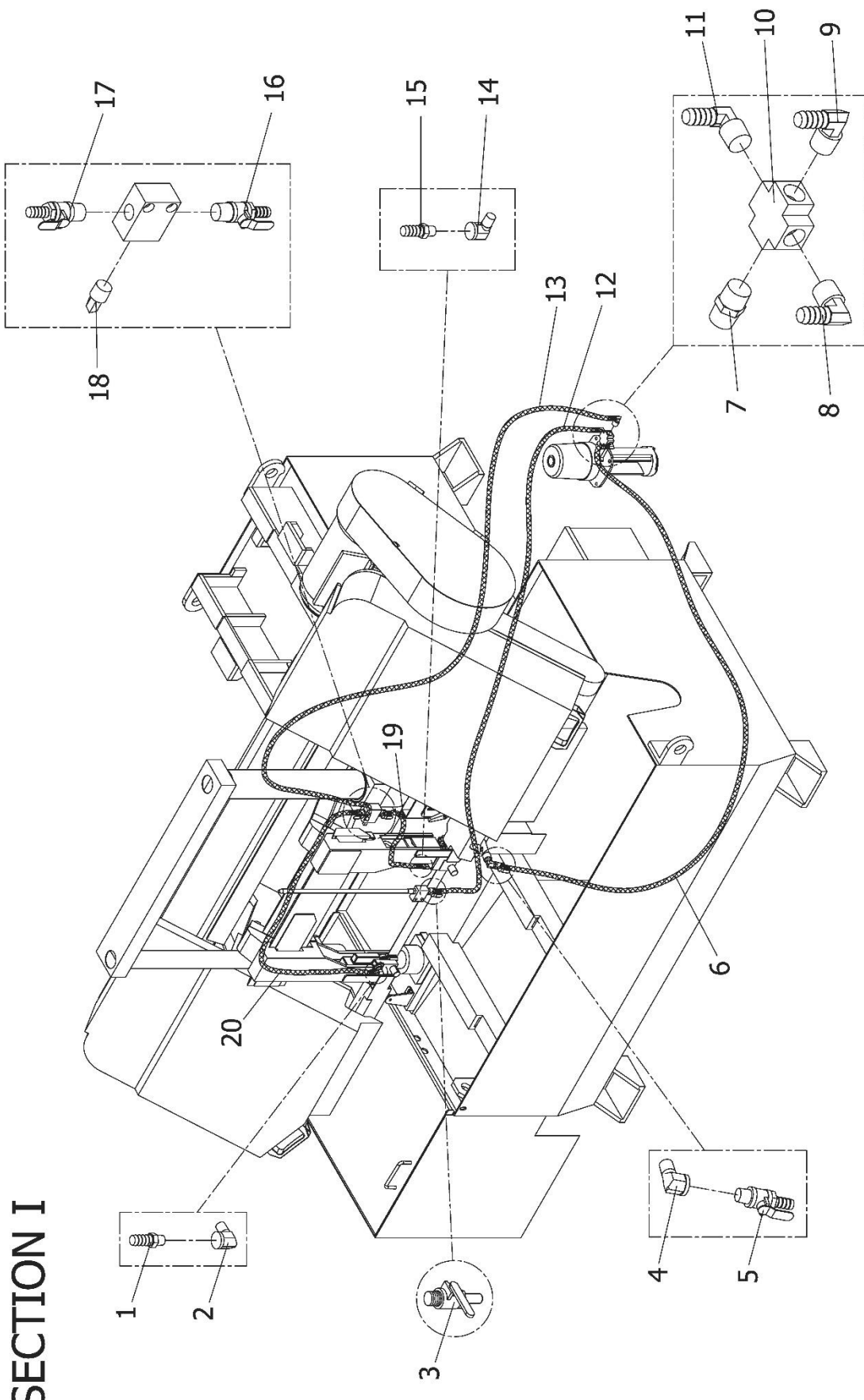
SECTION H



Part List for Electric Box Assembly

Index No.	Part No.	Description	Size	Q'ty
1	HBS1516AF-FS1	Fuse	12A	1
2	HBS1516AF-FS2	Fuse	12A	1
3	HBS1516AF-FS3	Fuse	12A	1
4	HBS1516AF-FS4	Fuse	4A	1
5	HBS1516AF-FS5	Fuse	4A	1
6	HBS1516AF-FS6	Fuse	6A	1
7	HBS1516AF-FS7	Fuse	1A	1
8	HBS1516AF-H7	PLC		1
9	HBS1516AF-H9	Relay		1
10	HBS1516AF-H10	Relay		1
11	HBS1516AF-H11	Relay		1
12	HBS1516AF-H12	Contactactor		1
13	HBS1516AF-H13	Contactactor		1
14	HBS1516AF-H14	Contactactor		1
15	HBS1516AF-H15	Terminal Board		1
16	HBS1516AF-H16	Terminal Board		1
17	HBS1516AF-H17	Overload Relay	4-6.3A	1
18	HBS1516AF-H18	Overload Relay	0.63-1A	1
19	HBS1516AF-H19	Transformer	560VA,110V/24V	1
20	HBS1516AF-H20	Terminal Board		1
21	HBS1516AF-H21	Socket (110V)		1
22	HBS1516AF-H22	Touch Screen		1
23	HBS1516AF-H23	Blade Carbide Guide Switch		1
24	HBS1516AF-H24	Work Light Button		1
25	HBS1516AF-H25	Coolant Button		1
26	HBS1516AF-H26	Auto/Manual Switch		1
27	HBS1516AF-H27	Cover		1
28	HBS1516AF-H28	Shuttle Vise Backward Button		1
29	HBS1516AF-H29	Shuttle Vise Forward Button		1
30	HBS1516AF-H30	LED Light		1
31	HBS1516AF-H31	LED Light		1
32	HBS1516AF-H32	Shuttle Vise Close Button		1
33	HBS1516AF-H33	LED Light		1
34	HBS1516AF-H34	Shuttle Vise Open Button		1
35	HBS1516AF-H35	Bench Vise Close Button		1
36	HBS1516AF-H36	LED Light		1
37	HBS1516AF-H37	Bench Vise Open Button		1
38	HBS1516AF-H38	LED Light		1
39	HBS1516AF-H39	Bow Down Button		1
40	HBS1516AF-H40	Bow Up Button and Stop Cutting Button		1
41	HBS1516AF-H41	Operation Start Button		1
42	HBS1516AF-H42	Hydraulic Pump Start Button		1
43	HBS1516AF-H43	Power Indicator Light		1
44	HBS1516AF-H44	Emergency Stop Button		1
45-2	HBS1516AF-H45-2	Inverter		1

Breakdown for Coolant System Assembly

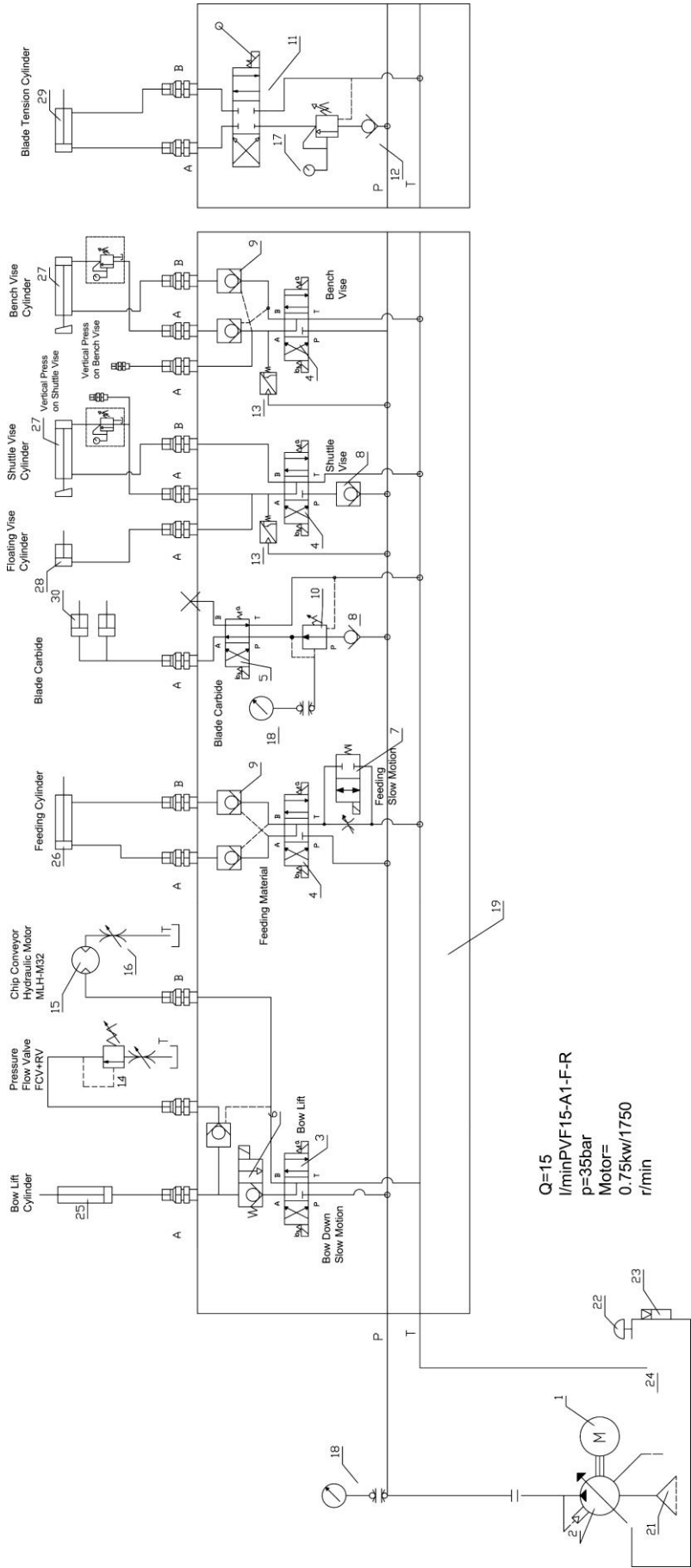


SECTION I

Part List for Coolant System Assembly

Index No.	Part No.	Description	Size	Q'ty
1	HBS1516AF-I1	Fitting	1/8x3/8	1
2	HBS1516AF-I2	90° Fitting	1/8x1/8	1
3	HBS1516AF-I3	Cock	1/4x3/8	1
4	HBS1516AF-I4	90° Elbow	1/4x1/4	1
5	HBS1516AF-I5	Cock	1/4x3/8	1
6	HBS1516AF-I6	Hose	3/8" 2500mm	1
7	HBS1516AF-I7	Fitting	3/4x3/8	1
8	HBS1516AF-I8	90° Elbow	3/8x3/8	1
9	HBS1516AF-I9	90° Elbow	3/8x3/8	1
10	HBS1516AF-I10	Cross Fitting	3/8PT	1
11	HBS1516AF-I11	90° Elbow	3/8x3/8	1
12	HBS1516AF-I12	Hose	3/8" 1700mm	1
13	HBS1516AF-I13	Hose	3/8" 5100mm	1
14	HBS1516AF-I14	90° Fitting	1/8x1/8	1
15	HBS1516AF-I15	Fitting	1/8x3/8	1
16	HBS1516AF-I16	Cock	3/8x3/8	1
17	HBS1516AF-I17	Cock	3/8x3/8	1
18	HBS1516AF-I18	90° Elbow	3/8x3/8	1
19	HBS1516AF-I19	Hose	3/8" 750mm	1
20	HBS1516AF-I20	Hose	3/8" 2300mm	1

Hydraulic Circuit Diagram



Part List for Hydraulic Circuit Diagram

Index No.	Part No.	Description	Size	Q'ty
1	HBS1516AF-J1	Motor	0.75kW 4P	1
2	HBS1516AF-J2	Pump	PVF-15-35	1
3	HBS1516AF-J3	Solenoid Valve	SDF A-02-3C41-A1101	
4	HBS1516AF-J4	Solenoid Valve	DFA-02-3C4-A110	3
5	HBS1516AF-J5	Solenoid Valve	DFA-02-2B3-A110	1
6	HBS1516AF-J6	Lifting Solenoid Valve	SV10-20-A110-CV101	
7	HBS1516AF-J7	Solenoid Flow Control Valve	NV13A-SV0824	1
8	HBS1516AF-J8	Modular Check Valve	MCV-02P	2
9	HBS1516AF-J9	Modular Pilot Operated Check Valve	MPC-02-W	2
10	HBS1516AF-J10	Modular Reducing Valve	MBR02-P1	1
11	HBS1516AF-J11	Tension Reduced Pressure Directional Valve	RDH-02G	1
12	HBS1516AF-J12	Plug Check Valve	CV1/4PT-1/4PF	1
13	HBS1516AF-J13	Differential Pressure Switch	PSB-100	2
14	HBS1516AF-J14	Pressure Flow Valve	JF-FCV-RV	1
15	HBS1516AF-J15	Hydraulic Motor	MLH-M32	1
16	HBS1516AF-J16	Piping Flow Valve	TLA-03	1
17	HBS1516AF-J17	Vertical Pressure Gauge	2.5x100KG	1
18	HBS1516AF-J18	Embedded Pressure Gage	1.5x100KG	2
19	HBS1516AF-J19	Manifold Block	G02-5	1
21	HBS1516AF-J21	Oil Filter Screen	MFC-06	1
22	HBS1516AF-J22	Oil Ejector		1
23	HBS1516AF-J23	Oil Level Gauge		1
24	HBS1516AF-J24	Oil Tank		1
25	HBS1516AF-J25	Saw Frame Lifting Cylinder	FA80-400	1
26	HBS1516AF-J26	Feeding Cylinder	SD-63-410	1
27	HBS1516AF-J27	Vise Cylinder	FA70-415	2
28	HBS1516AF-J28	Short Feeding Cylinder	SD80-5	1
29	HBS1516AF-J29	Blade Tension Cylinder	SD100-37	1
30	HBS1516AF-J30	Carbide Guide Cylinder	SD24-5	2

Circuit Diagram HBS-1516AF ...5000460T 3~400V, 50Hz

