

Table saw
Tischkreissäge
Scie circulaire à table

JTS-254



Option -2279
Maschinenstand

Schweiz / Suisse
JPW (TOOL) AG
Tämperlistrasse 5
CH-8117 Fällanden
Switzerland

www.jettools.com

France
TOOL France / PROMAC
57, rue du Bois Chaland, Z.I. du Bois Chaland
case postale 2935
FR-91029 Evry Cedex
info@promac.fr
www.promac.fr

Deutschland / Oestreich
JET Tools GmbH
Im Taubental 4
DE-41468 Neuss
team@jetgmbh.de
www.jettools.com

CE-Konformität / Conformité CE



Die untenstehenden Maschinen wurden durch TÜV Rheinland gemäss folgenden Richtlinien geprüft und zertifiziert

- Maschinenrichtlinien 2006/42/EC
- elektromagnetische Verträglichkeit 2004/108/EC
- Niedervolt Direktiven 2006/95/EC
- RoHS Direktiven 2011/65/EC

erklärt hiermit, dass die folgende Maschinen: JTS-254

sofern diese gemäss der beigelegten Bedienungsanleitung gebraucht und gewartet werden, den Vorschriften betreffend Sicherheit und Gesundheit von Personen, gemäss den oben aufgeführten Richtlinien der EG entsprechen.

Les machines sous ci-dessous ont été contrôlées et certifiées par TÜV Rheinland selon les normes suivantes

- les directives Européennes 2006/42/EC
- compatibilité électromagnétique 2004/108/EC
- Directives basses tension 2006/95/EC
- Directives RoHS 2011/65/EC

déclare que la machine sous-mentionnée: JTS-254

est, sous condition qu'elle soit utilisée et maintenue selon les instructions du manuel d'instruction joint, conforme aux prescriptions sur la santé et la sécurité des personnes, selon les directives sur la sécurité des machines mentionnées ci-dessus.

Technical file compiled by: Hansjörg Brunner, Product Management

A handwritten signature in black ink, appearing to be 'Hansjörg Brunner', is centered on the page.

2014-06-12 Eduard Schärer, General Manager

JPW (Tool) AG, Tämperlistrasse 5, CH-8117 Fällanden, Switzerland

GB - ENGLISH

Operating Instructions

Dear Customer,

Many thanks for the confidence you have shown in us with the purchase of your new JET-machine. This manual has been prepared for the owner and operators of a JET JTS-254 table saw to promote safety during installation, operation and maintenance procedures. Please read and understand the information contained in these operating instructions and the accompanying documents. To obtain maximum life and efficiency from your machine, and to use the machine safely, read this manual thoroughly and follow instructions carefully.

... Table of Contents

1. Declaration of conformity
2. Warranty
3. Safety Rules
4. Technical Specification and Machine Operation

1. Declaration of conformity

On our own responsibility we hereby declare that this product complies with the regulations* listed on page 2. Designed in consideration with the standards**. CE type examination*** conducted by****.

2. Warranty

The Seller guarantees that the supplied product is free from material defects and manufacturing faults. This warranty does not cover any defects which are caused, either directly or indirectly, by incorrect use, carelessness, accidental damage, repair, inadequate maintenance or cleaning and normal wear and tear.

Guarantee and/or warranty claims must be made within twelve months from the date of purchase (date of invoice). Any further claims shall be excluded.

This warranty includes all guarantee obligations of the Seller and replaces all previous declarations and agreements concerning warranties.

The warranty period is valid for eight hours of daily use. If this is exceeded, the warranty period shall be reduced in proportion to the excess use, but to no less than three months.

Returning rejected goods requires the prior express consent of the Seller and is at the Buyer's risk and expense.

Further warranty details can be found in the General Terms and Conditions (GTC). The GTC can be viewed at www.jettools.com or can be sent by post upon request.

The Seller reserves the right to make changes to the product and accessories at any time.

3 SAFETY RULES

■ FOR YOUR OWN SAFETY, READ INSTRUCTION MANUAL BEFORE OPERATING THE TOOL.

Learn the tool's application and limitations as well as the specific hazards peculiar to it.

- KEEP GUARDS IN PLACE and in working order.
- REMOVE **ADJUSTING** KEYS AND WRENCHES. From habit of checking to see that keys and adjusting wrenches are removed from tool before turning it "ON".
- KEEP WORK AREA CLEAN. Cluttered areas and benches invite accidents.
- DON'T USE IN DANGEROUS ENVIRONMENT. Don't use power tools in damp or wet locations, or expose them to rain. Keep work area well.
- KEEP CHILDREN AND VISITORS AWAY. All children and visitors should be kept a safe distance from work area.
- MAKE WORKSHOP CHILDPROOF- With padlocks, master switches, or by removing starter keys.
- DON'T FORCE TOOL. It will do the job better and be safer at the rate or which it was designed.
- USE RIGHT TOOL. Don't force tool or attachment. To do a job for which it was not designed.
- WEAR PROPER APPAREL. No loose clothing, rings, gloves, neckties, bracelets, or jewelry to get caught in moving parts. Non-slip foot wear is recommended. Wear protective hair covering to contain long hair.
- ALWAYS WEAR SUITABLE PERSONAL PROTECTIVE EQUIPMENT, INCLUDING
 - (1) Wear safety glasses.
 - (2) Hearing protection.
 - (3) Respiratory protection.
 - (4) Wear gloves when handling saw blades and rough material. Saw blades shall be carried in a holder whenever practicable.
- SECURE WORK. Use clamps or a vise to hold work when practical. It's safer than using your hand and frees both hands to operate tool.
- DON'T OVERREACH. Keep proper footing and balance at all times.
- MAINTAIN TOOLS IN TOP CONDITION. Keep tools sharp and clean for best and safest performance. Follow instructions for lubricating and changing

accessories.

- DISCONNECT TOOLS before servicing and when changing accessories such as blades, bits, cutters, etc.

■ **USE RECOMMENDED ACCESSORIES. The use of improper accessories may cause hazards.**

- AVOID ACCIDENTAL STARTING. Make sure switch is in "OFF" position before plugging in power cord.

- NEVER STAND ON TOOL. Serious injury could occur if the tool is tipped or if the cutting tool is accidentally contacted.

- CHECK DAMAGED PARTS. Before further use of the tool, a guard or other part that is damaged should be carefully checked to ensure that it will operate properly and perform its intended function – check for alignment of moving parts, binding of moving parts, breakage of parts, mounting, and any other part that is damaged should be properly repaired or replaced.

- DIRECTION OF FEED. Feed work into a blade or cutter against the direction of rotation of the blade or cutter only.


- NEVER LEAVE TOOL RUNNING UNATTENDED. TURN POWER OFF.

Don't leave tool until it comes to a complete stop.


- DRUGS, ALCOHOL, MEDICATION. Do not operate tool while under the influence of drug, alcohol or any medication.


- MAKE SURE TOOL IS DISCONNECTED FROM POWER SUPPLY

while motor is being mounted, connected or reconnected.

 **WARNING: The dust generated by certain woods and wood products can be injurious to your health. Always run machine in well ventilated areas and provide for proper dust removal.**

Use dust collection systems when sawing.

 **WARNING: The table saw must be placed to a firm supporting, waist high surface such as a workbench or leg stand. Many illustrations in this manual are shown with the saw unplaced for clarity.**

 **WARNING! When using electric tools basic safety precautions should always be followed to reduce the risk of fire, electrical shock and personal injury: read all these instructions before attempting to operate this product and save these instructions.**

- ALWAYS use guard, splitter and anti-kickback fingers on all "thru-sawing" operations. Thru-sawing operations are those when the blade cuts completely through the work piece as in ripping or cross-cutting.

- ALWAYS hold the work firmly against the miter gauge of fence.

- ALWAYS use a push stick for ripping narrow stock. Refer to ripping applications in instruction manual where Push stick is covered in detail. See push stick pattern Included in this instruction manual.

- NEVER perform any operation "free-hand" which means using your hand to support or guide the workpiece. Always use either the fence or the miter gauge to position and guide the work.

- NEVER Stand or have any part of your body in line with the path of the saw blade. KEEP your hands out of the line of the saw blade.

- NEVER reach behind or over the cutting tool with either hand for any reason.

- MOVE the rip fence out of the way when cross-cutting.

- NEVER use the fence as a cut-off gauge when cross-cutting.

- DIRECTION OF FEED Feed work into a blade or cutter against the direction or rotation of the blade or cutter only.

- NEVER attempt to free a stalled saw blade without first turning the saw OFF. Turn off switch immediately to prevent motor damage.

- Provide adequate support to the rear and sides of the saw table for wide or long work pieces.

- AVOID KICKBACKS (work thrown back toward you) by:

- (1) Keeping blade sharp.
- (2) Keeping rip fence parallel to the saw blade.
- (3) Keeping splitter and guard in place and operating.
- (4) Not releasing the work before it is pushed all the way past the saw blade.
- (5) Not ripping work that is twisted or warped or does not have a straight edge to guide along the fence.

- AVOID awkward operations and hand positions where a sudden slip could cause your hand to move into the cutting tool.

- NEVER use solvents to clean plastic parts. Solvents could possibly dissolve or otherwise damage the material. Only a soft damp cloth should be used to clean plastic parts.

- PERMANENTLY mount the saw to a supporting surface before performing any cutting operations.

- NEVER cut metals or materials which may make hazardous dust.

- ALWAYS use in a well ventilated area. Remove saw dust frequently. Clean out sawdust from the interior of the saw to prevent a potential fire hazard.

- Do not use saw blades which are damaged or deformed.

Replace table insert when worn;

Use only saw blades recommended by the manufacturer, which conform to EN 847-1. When changing the saw blade beware that the width of the groove cut of the saw blades shall not be less than and

the thickness of the body of the saw blade shall not be more than the thickness of the riving knife; Take care that the selection of the saw blade is suitable for the material to be cut;

- Replace table insert when worn.
- Use only saw blades recommended by manufacturer, Warning: The splitter shall not thicker than the kerf of blade and not thinner than the body of saw blade.
- Take care that the selection of the saw blade depends on the material to be cut. Use only saw blades for which the maximum possible speed is not less than the maximum speed of the tool and the material to be cut. Do not use high speed steel (HSS) blade.
- Use this table saw to cut only wood and wood like products.
- Use push-sticks to feed the workpiece past the blade. Always store the push stick with the machine when not in use.
- Connect saw to a dust collecting device when sawing.
- Store idle tools. When not in use, tools should be stored in a dry locked-up place, out of reach of children.
- Connect dust extraction equipment. If device are provided for the connection of duct extraction and collecting equipment ensure these are connected and properly used.
- Do not abuse the cord. Never yank the cord to disconnect it from the socket. Keep the cord away from heat, oil and sharp edges.
- Stay alert. Watch what you are doing, use common sense and do not operate the tool when you are tired.
- Inspect tool cords periodically and if damaged have them repaired at an authorized service facility. Inspect extension cord periodically and replace if damaged.
- Have your tool repaired by a qualified person. This electric tool complies with current safety rules (for example: CE). Repairs should only be carried out by qualified persons using original spare parts, otherwise this may result in considerable danger to the user.
- Use outdoor extension leads. When the tool is used outdoors, use only extension cords intended for outdoor use and so marked.

⚠ CAUTION / TO USE SLIDING TABLE EXTENSION

Work longer than 900 mm may fall from the saw's table after cut. Such work must be further supported by suitable means, such as saw horse, roller stands or another person.

- The sliding table extension provides operators with additional table width for supporting wider workpieces.

- Loosen the table extension knobs beneath the sliding table extension by turning them counterclockwise.
- Grasp the sliding table extension with both hands and pull the sliding table extension
- Retighten the table extension knobs. Common sawing operations include rip and cross cutting plus a few other standard operations of a fundamental nature. As with all power tools, there is a certain amount of hazard involved with the operation and use of the tool. Using the tool with the respect and caution demanded as far as safety precautions are concerned, will considerably lessen the possibility of personal injury. However, if normal safety precautions are overlooked or completely ignored, personal injury to the operator can result. The following information describes the safe and proper method for performing the most common sawing operation.

4. Technical Specification and Machine Operation

Specification:

Rated voltage.....	~220-240V
Rated input	1800W
No load speed	4500/min-1
Saw blade dia. x hole dia	254 x 30 mm
Weight	25kg
Cutting depth at 90°	90mm
Cutting depth at 45.....	65mm
Sound power level	98 dB(A)~111 dB(A)
Sound pressure level:	111 dB(A)

CONNECTION SAW TO POWER SOURCE

POWER CONNECTIONS

A separate electrical circuit should be used for tools.

If an extension

cord is used, earthed plugs and sockets which adopt the tools plug.

Have a qualified electrician replace or repair damaged or worn cord

immediately. Before connecting the motor to the power line, make

sure the switch is in the "OFF" position and be sure the electric

current is of the same characteristics as stamped on rating plate. All

line connections should make good contact. Running on low voltage

will damage the motor.

⚠ WARNING: DO NOT EXPOSE THE TOOL TO RAIN OR OPERATE THE TOOL IN DAMP LOCATIONS. EARTHING INSTRUCTIONS

OPERATION

Common sawing operations include and cross cutting

plus a few other standard operations of a fundamental nature. As with all power tools, there is a certain amount of hazard involved with the operation and use of the tool. Using the tool with the respect and caution demanded as far as safety precautions are concerned, will considerably lessen the possibility of personal injury. However, if normal safety precautions are overlooked or completely ignored, personal injury to the operator can result. The following information describes the safe and proper method for performing the most common sawing operation


CROSS-CUTTING

Cross cutting requires the use of the miter gauge to position and guide the work.

Place the work against the miter gauge and advance both the gauge and work toward the saw blade. The miter gauge may be used in either table slot.

When bevel cutting (blade tilted), use the table groove with the saw blade guard. The saw guard must always be used.

Start the cut slowly and hold the work firmly against the miter gauge and the table. One of the rules in running a saw is that you never hang onto or touch a free piece of work. Hold the supported piece, not the free piece that is cut off. The feed in cross-cutting continues until the work is cut in two, and the miter gauge and work are pulled back to the starting point. Before pulling the wood back it is good practice to give the wood a little sideways shift move the wood slightly away from the saw blade. Never pick up any short length of free wood from the table while the saw is running. A smart operator never touches a off cut unless it is at least a foot long.

 **WARNING: NEVER USE THE FENCE AS A CUT-OFF GAUGE WHEN CROSS CUTTING.**

For added safety and convenience, the miter gauge can be fitted with an auxiliary fence. This auxiliary fence can be fastened to the front of the miter gauge by using two wood screws through the slots provided in the miter gauge body and into the fence.

RIPPING

Ripping is the operation of making a length-wide cut through a board, the rip fence is used to position and guide the work. One edge of the work rides against the rip fence while the flat side of the board rests on the table. The saw guard must always be used.

Start the motor and advance the work, holding it down and against the fence.

Never stand in the line of the saw cut when ripping. Hold the work with both hands and push it along the fence and into the saw blade. The work can then be fed through the saw blade with one hand. When this is done the work will either stay on the table, tilt up slightly and be caught by the rear end of the guard or slide off the table to the floor. Alternately, the feed can continue to the end of the table, after which the work is lifted and

brought back along the outside edge of the fence. The cut-off stock remains on the table and is not touched with the hands until the saw blade is stopped, unless it is large piece allowing safe removal. When ripping boards longer than 900mm, it is recommended that a work support be used at the rear of the saw to keep the work piece from falling off the saw table.


USING PUSH STICK (FIG.C)

If the ripped work is less than 100mm wide, a push stick should always be used to complete the feed. When ripping stock 50mm or narrower, assemble the auxiliary facing to the fence, as explained in the section "USING AUXILIARY FENCE ON RIP FENCE" and use a push stick.

The auxiliary fence should be used when ripping material such as thin paneling to prevent the material from catching between the rip fence and the saw table surface.

TRANSPORTATION

- When move this machine for short distance, please move this machine by the 4 carrying points. The carrying points are indicated on the saw by stickers, which are on the bottom of cabinet.
- You can also close the stand, see CLOSING THE LEG STAND, and then use wheels for longer transportation.

 **WARNING:** This table saw is not supposed to be used directly without the legs fully stretched and the moveable legstand are always used attach to the body.

MAINTENANCE

GENERAL MAINTENANCE

WARNING: Always begin by disconnecting the power supply.

- Periodically check all clamps, nuts, bolts, screws, and belts for tightness and condition. Make sure the throat plate in good condition and in position.
- Check the blade guard assembly. To maintain the table surfaces, fence, and rails, periodically apply paste wax to them and buff to provide smooth functioning.
- Protect the blade by cleaning out sawdust from underneath the table and in the blade teeth. Use a resin solvent on the blade teeth.
- Clean plastic parts only with soft damp cloth. Do Not use any aerosol or petroleum solvents.

LUBRICATION

This saw has been lubricated at the factory prior to shipment.

TO CHECK THE RIP FENCE ALIGN TO THE BLADE (FIG.A)

Raise the locking handle to permit the rip fence to be removed.

Place a framing square beside the blade and move the fence up to the square. Take the dimension on the rip

scale.

Move the fence back and turn the framing 180 degree to check the other side.

If the two dimensions are not the same, loosen the four screws and align it.

Retighten the two screws.

Adjust the clamp screw to ensure fence can be locked tightly on the saw.

TO CHANGE THE CARBON BRUSHES (FIG.B)

NOISE

Noise levels can vary widely from machine depending on conditions of use.

Persons exposed to high noise levels, even for a short time, may experience temporary partial hearing loss and continuous exposure to high levels can result in permanent hearing damage. Additionally, suitable ear protectors must be provided, maintained and worn.

implementation in accordance with national law, electric tools that have reached the end of their life must be collected separately and returned to an environmentally compatible recycling facility.



Accessory - Not included in standard equipment, available as an accessory.



Please read the instructions carefully before starting the machine.



Always disconnect the plug from the socket before carrying out any work on the machine.



Wear ear protectors!



Always wear goggles when using the machine.



Always keep hands away from the path of the saw blade.



Never expose tool to rain.



Danger



Do not dispose of electric tools together with household waste material! In observance of European

Directive 2002/96/EC on waste electrical and electronic equipment and its

DE - DEUTSCH

Gebrauchsanleitung

Sehr geehrter Kunde,

vielen Dank für das Vertrauen, welches Sie uns beim Kauf Ihrer neuen JET-Maschine entgegengebracht haben. Diese Anleitung ist für den Inhaber und die Bediener zum Zweck einer sicheren Inbetriebnahme, Bedienung und Wartung der **Tischkreissäge JTS-254** erstellt worden. Beachten Sie bitte die Informationen dieser Gebrauchsanleitung und der beiliegenden Dokumente. Lesen Sie diese Anleitung vollständig, insbesondere die Sicherheitshinweise, bevor Sie die Maschine zusammenbauen, in Betrieb nehmen oder warten. Um eine maximale Lebensdauer und Leistungsfähigkeit Ihrer Maschinen zu erreichen befolgen Sie bitte sorgfältig die Anweisungen.

Inhaltsverzeichnis

1. Konformitätserklärung
2. Garantieleistungen
3. Sicherheit
4. Maschinenspezifikation

1. Konformitätserklärung

Wir erklären in alleiniger Verantwortlichkeit, dass dieses Produkt mit den auf Seite 2 angegebenen Richtlinien* übereinstimmt. Bei der Konstruktion wurden folgende Normen** berücksichtigt und eine EG-Baumusterprüfung *** von **** durchgeführt.

2. Garantieleistungen

Der Verkäufer garantiert, dass das gelieferte Produkt frei von Material- und Fertigungsfehlern ist. Diese Garantie trifft nicht auf jene Defekte zu, welche auf direkten oder indirekten, nicht fachgerechten Gebrauch, Unachtsamkeit, Unfallschaden, Reparatur, mangelhafte Wartung bzw. Reinigung sowie normalen Verschleiß zurückzuführen sind.

Garantie- bzw. Gewährleistungsansprüche müssen innerhalb von 12 Monaten ab dem Verkaufsdatum (Rechnungsdatum) geltend gemacht werden. Weitergehende Ansprüche sind ausgeschlossen.

Die vorliegende Garantie umfasst sämtliche Garantieverpflichtungen seitens des Verkäufers und ersetzt alle früheren Erklärungen und Vereinbarungen betreffend Garantien.

Die Garantiefrist gilt für eine tägliche Betriebszeit von 2 Stunden. Wird diese überschritten, so verkürzt sich die Garantiefrist proportional zur Überschreitung, jedoch höchstens auf 3 Monate.

Die Rücksendung beanstandeter Ware bedarf der ausdrücklichen vorherigen Zustimmung vom Verkäufer und geht auf Kosten und Gefahr des Käufers.

Die ausführlichen Garantieleistungen sind den Allgemeinen Geschäftsbedingungen (AGB) zu entnehmen. Die AGB sind unter www.jettools.com einzusehen oder werden auf Anfrage per Post zugestellt.

Der Verkäufer behält sich das Recht vor, jederzeit Änderungen am Produkt und Zubehör vorzunehmen

3. Sicherheit

ZUR EIGENEN SICHERHEIT IMMER ERST DIE BEDIENUNGSANLEITUNG LESEN, BEVOR DIE MASCHINE IN BETRIEB GENOMMEN WIRD.
Lernen Sie die Maschine, deren Bedienung und Betriebsgrenzen kennen, sowie deren spezifische Gefahren erkennen.

SCHUTZABDECKUNGEN in betriebsfähigem Zustand halten und nicht abbauen.

LOSE SPANNHEBEL UND SCHLÜSSEL immer von der Maschine entfernen. Gewöhnen Sie sich an, vor dem Einschalten der Maschine immer zu überprüfen, ob alle losen Bedienelemente entfernt wurden.

ARBEITSBEREICH HINDERNISFREI HALTEN. Verstellte Arbeitsbereiche und Arbeitsflächen begünstigen Unfälle.

MASCHINE NICHT IN GEFÄHRLICHER UMGEBUNG BETREIBEN. Angetriebene Maschine nicht in feuchten oder nassen Räumen betreiben oder diese dem Regen aussetzen. Arbeitsbereich immer in Ordnung halten.

KINDER UND BESUCHER VON DER MASCHINE FERNHALTEN. Kinder und Besucher immer in sicherem Abstand zum Arbeitsbereich halten.

MACHEN SIE DIE WERKSTATT KINDERSICHER. Verwenden Sie Schlösser, Hauptschalter und entfernen Sie Startschlüssel.

MASCHINE NICHT ÜBERLASTEN. Die Arbeitsleistung der Maschine ist besser und der Betrieb sicherer, wenn diese in den Leistungsbereichen betrieben wird, für welche sie ausgelegt ist.

VERWENDEN SIE DAS KORREKTE WERKZEUG. Verwenden Sie keine Gewalt, um ein Werkzeug oder Zubehör verwenden zu können, das nicht dafür bestimmt ist.

RICHTIGE ARBEITSKLEIDUNG TRAGEN. Tragen Sie keine weite Kleidung, Ringe, Handschuhe, Halstücher, Armbänder oder anderen Schmuck, da sich diese in beweglichen Maschinenteilen verfangen könnten. Schuhe mit rutschfesten Sohlen tragen. Eine Kopfbedeckung tragen, die lange Haare vollständig abdeckt.

TRAGEN SIE IMMER EINE GEEIGNETE SCHUTZAUSRÜSTUNG.

(1) Tragen Sie eine Schutzbrille. (2) Gehörschutz. (3) Atemschutz. (4) Tragen Sie Schutzhandschuhe während des Umgangs mit Sägeblättern und Rohmaterial. Sägeblätter sollten, wenn möglich, in einer Halterung transportiert werden.

WERKSTÜCKE FESTKLEMMEN. Zum Halten des Werkstücks immer eine Spannvorrichtung verwenden. Dies ist sicherer als mit der Hand, und es sind beide Hände zum Bedienen der Maschine frei.

- **AUF STANDSICHERHEIT ACHTEN.** Achten Sie auf Ihre Fußstellung und Ihr Gleichgewicht.
- **MASCHINE IMMER IN EINWANDFREIEM ZUSTAND HALTEN.** Hierzu die Schneidflächen scharf und sauber halten, um eine optimale Leistung zu erzielen. Die Betriebsanweisung für das Schmieren und den Austausch des Zubehörs beachten.
- **MASCHINE IMMER VOM NETZ TRENNEN** bevor Wartungsarbeiten oder Zubehör wie Sägeblätter, Kleinteile oder Schneidwerkzeuge etc. ausgetauscht werden.
- **NUR DAS EMPFOHLENE ZUBEHÖR VERWENDEN.** Die Verwendung von ungeeignetem Zubehör birgt Unfallgefahren.
- **VERMEIDEN SIE EIN UNBEABSICHTIGTES INBETRIEBSETZEN.** Vergewissern Sie sich, bevor Sie das Netzkabel anschließen, dass die Maschine ausgeschaltet ist.
- **NIE AUF DEM GERÄT STEHEN.** Sollte das Gerät kippen oder versehentlich der Schneidbereich berührt werden, können schwere Verletzungen auftreten.
- **SCHADHAFT MASCHINENTEILE ÜBERPRÜFEN.** Beschädigte Schutzvorrichtungen oder andere Teile sollten vor dem weiteren Betrieb sorgfältig überprüft werden, damit ein ordnungsgemäßer Betrieb des Geräts gewährleistet werden kann. Überprüfen Sie auch die Justierung und Einbindung von beweglichen Teilen. Überprüfen Sie die Teile, die Halterung und jegliche andere Teile auf Bruchschäden. Beschädigte Teile sollten korrekt repariert oder ausgetauscht werden.
- **VORSCHUBRICHTUNG.** Führen Sie ein Werkstück nur entgegen der Drehrichtung in eine Säge oder Schneidvorrichtung ein.
- **MASCHINE NIE WÄHREND DES BETRIEBS VERLASSEN. IMMER DIE STROMVERSORGUNG ABSCHALTEN.**
Die Maschine erst verlassen, wenn diese vollständig zum Stillstand gekommen ist.
- **DROGEN, ALKOHOL, MEDIKAMENTE.** Maschine nie unter Einfluss von Alkohol, Medikamenten oder Drogen bedienen.
- **STELLEN SIE SICHER, DASS DIE MASCHINE VON DER NETZVERSORGUNG GETRENNT IST,** wenn der Motor aufgebaut, angeschlossen oder wiederangeschlossen wird.

⚠ ACHTUNG: Der Holzstaub einiger Hölzer und Holzprodukte kann gesundheitsschädlich sein. Betreiben Sie das Gerät nur in gut belüfteten Räumen und sorgen Sie für eine angemessene Entfernung des Staubs.

Verwenden Sie während des Sägens Staubsammelsysteme.

⚠ ACHTUNG: Die Tischsäge muss auf einer festen, tragenden, hüfthohen Fläche stehen, wie z. B. einer Werkbank oder einem zugelassenen Gestell. In diesem Handbuch finden Sie viele Abbildung der Säge, in denen sie zur Verdeutlichung nicht auf dieser notwendigen Fläche steht.

⚠ ACHTUNG! Bei der Arbeit mit elektrischen Werkzeugen müssen stets grundlegende Sicherheitsregeln befolgt werden, um das Risiko eines Brandes, eines Stromschlags und von Verletzungen so gering wie möglich zu halten. Lesen Sie vor Inbetriebnahme dieses Produktes alle folgenden Hinweise und bewahren Sie diese auf.

- **STETS** müssen Sie bei allen Durch- und Längsschnitten Schutz-, Abspalt-, Anti-Rückschlag-Zubehör benutzen. Bei Durch- und Längsschnitten schneidet das Sägeblatt ganz durch das Werkstück hindurch.
- **STETS** muss das Werkstück fest gegen das Gehrungsmaß des Anschlags gedrückt werden
- **STETS** müssen Sie beim längsseitigen Schneiden von schmalen Werkstücken einen Schubstock benutzen. Informieren Sie sich im Detail über Schubstöcke im Abschnitt über Längsschnitte im Handbuch. Dieses Handbuch enthält ferner ein Schubstockmuster. **NIE** dürfen Sie die Bedienung „freihändig“ ausführen, benutzen Sie immer Ihre Hand, um das Werkstück zu stützen oder zu führen. Positionieren und führen Sie das Werkstück immer mit dem Anschlag oder dem Gehrungsmaß.
- **NIE** dürfen Sie oder ein Körperteil von Ihnen den Weg des Sägeblatts kreuzen. Ihre Hände dürfen **NIE** in den Weg des Sägeblatts kreuzen.
- **NIE** dürfen Sie mit einer Hand hinter oder über das Schneidwerkzeug greifen.
- **ENTFERNEN** Sie bei Querschnitten den Parallelanschlag.
- **NIE** darf der Anschlag bei Querschnitten als Schnittmaß dienen.
- **EINSCHUBRICHTUNG.** Schieben Sie das Werkstück nur entgegen der Drehrichtung des Sägeblattes oder des Schneidwerkzeugs ein.
- **NIE** dürfen Sie ein verklemmtes Sägeblatt befreien, ohne erst die Säge auszuschalten. Schalten Sie die Säge sofort aus, um den Motor nicht zu beschädigen.
- Sorgen Sie am Ende und an den Seiten des Sägertisches für eine geeignete Stütze, um breite oder lange Werkstücke zu schneiden.
- **RÜCKSCHLÄGE VERMEIDEN** (auf Sie zufliegende Teile) durch:
 - (1) Halten Sie das Sägeblatt scharf.
 - (2) Richten Sie den Parallelanschlag parallel zum Sägeblatt aus.
 - (3) Achten Sie auf die Funktionsfähigkeit und das Sitzen des Abspaltzubehörs und der Schutzvorrichtungen.
 - (4) Das Werkstück nicht freigeben, bis es ganz durch das Sägeblatt geschoben ist.
 - (5) Keine Längsschnitte bei verdrehten oder verzogenen Werkstücken ohne gerade Kante, die nicht am Anschlag entlang geführt werden können.
- **VERMEIDEN** Sie ungünstige Arbeiten und Handpositionen, wobei Ihre Hand durch ein plötzliches Abrutschen leicht in das Sägeblatt geraten könnte.
- **NIE** dürfen Plastikteile mit Lösungsmitteln gereinigt werden. Diese könnten das Material auflösen oder anderweitig beschädigen. Reinigen Sie Plastikteile nur mit einem weichen, feuchten Tuch.
- **BEFESTIGEN** Sie die Säge dauerhaft auf einer Stützfläche, bevor Sie Sägearbeiten ausführen.
- **NIE** dürfen Sie Metalle oder Materialien schneiden, die gesundheitsschädlichen Staub erzeugen.
- **STETS** müssen Sie in Räumen mit guter Belüftung arbeiten. Entfernen Sie regelmäßig Sägestaub. Entfernen Sie auch den Sägestaub im Inneren der Maschine, damit kein Brand entstehen kann.
- **VERWENDEN** Sie keine beschädigten oder verformten Sägeblätter.
- Tauschen Sie abgenutzte Tischeinlagen aus.
- Verwenden Sie nur vom Hersteller empfohlene Sägeblätter, **ACHTUNG: Der Spaltkeil darf nicht dicker als der Sägeschnitt sein und nicht dünner als das Gehäuse des Sägeblatts.**

- Achten Sie darauf, dass das Sägeblatt abhängig von dem zu schneidenden Material gewählt wird. Verwenden Sie nur Sägeblätter, deren maximale Geschwindigkeit nicht geringer ist, als die Maximalgeschwindigkeit des Werkzeugs oder des zu schneidenden Materials. Verwenden Sie kein Hochgeschwindigkeitsstahlsägeblatt (HSS).
- Schneiden Sie mit dieser Kreissäge nur Holz und holzähnliche Produkte.
- Schieben Sie das Werkstück mit Schubstöcken durch das Sägeblatt. Verwahren Sie den Schubstock immer bei der Maschine, wenn Sie ihn nicht benötigen.
- Schließen Sie beim Sägen Staubauffanggeräte an die Kreissäge an.
- Schließen Sie unbenutzte Werkzeuge außerhalb der Reichweite von Kindern an einem trockenen Ort weg.
- Schließen Sie Staubsaugergeräte an. Ist ein Staubabsaug und Staubauffanggerät vorhanden ist, achten Sie darauf, dass dieses angeschlossen und zweckgemäß verwendet wird.
- Gehen Sie mit Kabeln pfleglich um. Ziehen Sie den Netzstecker nie am Kabel aus der Steckdose heraus. Halten Sie das Kabel fern von Hitze, Öl und scharfen Kanten.
- Bleiben Sie wachsam. Achten Sie auf das, was Sie tun. Seien Sie vernünftig und arbeiten Sie nicht mit dem Werkzeug, wenn Sie müde sind.
- Überprüfen Sie Werkzeugkabel regelmäßig und bitten Sie bei deren Beschädigung einen autorisierten Kundendienst um Reparatur. Prüfen Sie Verlängerungskabel regelmäßig und ersetzen Sie diese bei Beschädigung.
- Lassen Sie Ihr Werkzeug von einem Fachmann reparieren. Dieses elektrische Werkzeug entspricht maßgeblichen Bestimmungen. Reparaturen dürfen nur mit Originalersatzteilen von einem Fachmann ausgeführt werden, da sich der Benutzer sonst beträchtlichen Gefahren aussetzen könnte.
- Verlängerungskabel für den Betrieb im Freien. Wird mit dem Werkzeug im Freien gearbeitet, dürfen nur dafür vorgesehene Verlängerungskabel verwendet werden.

⚠ VORSICHT / VERWENDUNG DES AUSZIEHBAREN SCHIEBETISCHS

- Werkstücke, die länger als 900 mm sind, können nach dem Sägevorgang vom Säge Tisch fallen.
- Solche Werkstücke benötigen eine passende Stütze, wie z. B. einen Sägebock, einen Rollenbock oder zweite Person.
- Durch den ausziehbaren Schiebetisch gibt es genügend Platz für die Anwender, um auch breitere Werkstücke zu bearbeiten.
 - Um den Ausziehtisch verwenden zu können, müssen Sie nur die Knöpfe unterhalb des Schiebetischs gegen den Uhrzeigersinn drehen.
 - Den ausziehbaren Schiebetisch mit beiden Händen anfassen und ziehen.

4. Maschinenspezifikation

4.1 Technische Daten JTS-254

Netzspannung	220-240V
Motorleistung	1800W
Leerlaufdrehzahl	4500/min-1
Sägeblattabmessung	254 x 30mm
Gewicht	25kg
Schnitthöhe bei 90°	90mm
Schnitthöhe bei 45°	65mm
Lärmpegel	98 dB(A) ~ 111 dB(A)
Lärmpegel	111 dB(A)

ANSCHLUSS DER SÄGE AN DIE STROMVERSORGUNG STROMANSCHLUSS

Für Werkzeuge muss ein separater elektrischer Stromkreis verwendet werden. Bei Verwendung eines Verlängerungskabel dürfen nur mit geerdeten Steckern und mit Steckdosen verwendet werden, die mit dem Stecker des Geräts kompatibel sind.

Lassen Sie beschädigte oder altersschwache Kabel sofort von einem Elektriker austauschen oder reparieren.

Bevor Sie den Motor an die Stromversorgung anschließen, vergewissern Sie sich, dass das Gerät ausgeschaltet ist und die auf dem Gerät angegebene Stromspannung identisch ist.

Alle Kabelverbindungen müssen guten Kontakt haben. Zu geringe Stromspannung schadet dem Motor.



ACHTUNG: SETZEN SIE DAS GERÄT KEINEM REGEN AUS UND VERWENDEN SIE ES NICHT IN FEUCHTER UMGEBUNG.

BEDIENUNG

Allgemein bekannte Sägeschnitte sind Längsschnitte, Querschnitte sowie einige andere grundsätzliche Standardschnitte. Wie bei allen elektrischen Werkzeugen, besteht ein gewisses Risiko beim Gebrauch.

Die Verletzungswahrscheinlichkeit wird erheblich reduziert, wenn Sie dem Werkzeug mit Respekt und Umsicht begegnen und die Sicherheitsregeln einhalten. Werden jedoch normale Vorsichtsmaßnahmen zur Sicherheit übersehen oder völlig ignoriert, sind Verletzungen des Benutzers nicht auszuschließen. Die folgenden Informationen beschreiben den sicheren und richtigen Umgang, um die geläufigsten Sägearbeiten auszuführen.

QUERSCHNITTE

Für Querschnitte ist das Gehrungsmaß erforderlich, mit dem das Werkstück positioniert und geführt wird

Legen Sie das Werkstück an das Gehrungsmaß und schieben Sie das Gehrungsmaß und das Werkstück zusammen zum Sägeblatt hin. Das Gehrungsmaß kann in jedem der Tischschlitze benutzt werden.

Bei Schrägschnitten (das Sägeblatt ist gekippt) verwenden Sie die Tischrille zusammen mit dem Sägeblattschutz. Der Sägegeschütz muss immer benutzt werden.

Schneiden Sie langsam und halten Sie das Werkstück fest gegen das Gehrungsmaß und den Tisch gedrückt. Eine der Regeln beim Betreiben einer Säge ist, dass Sie nie ein freiliegendes Werkstück festhalten oder berühren. Halten Sie den unterstützten Teil fest, nicht das freie Teil, das

abgeschnitten wird. Der Einschub bei Querschnitten dauert so lange, bis das Werkstück in zwei Teile geschnitten und das Gehrungsmaß sowie das Werkstück zum Ausgangspunkt zurückgezogen worden sind. Vor dem Zurückziehen des Werkstücks sollten Sie es etwas zur Seite, weg vom Sägeblatt schieben. Nehmen Sie nie ein kurzes, freiliegendes Werkstück vom Tisch auf, während die Säge läuft. Ein umsichtiger Benutzer nimmt nie ein abgeschnittenes Teil in die Hand, außer es ist mindestens 30 cm lang.

! ACHTUNG: NIE DARF DER ANSCHLAG BEI QUERSCHNITTEN ALS SCHNITTMASSE DIENEN.

Für zusätzliche Sicherheit und Bequemlichkeit lässt sich das Gehrungsmaß mit einem Hilfsanschlag versehen. Dieser Hilfsanschlag kann mit zwei Holzschrauben über Schlitze, die im Körper des Gehrungsmaßes und im Hilfsanschlag vorhanden sind, fest an der Vorderseite des Gehrungsmaßes befestigt werden.

LÄNGSSCHNITTE

Hierbei wird ein Brett in seiner Längsrichtung durchgeschnitten, wobei der Parallelanschlag zur Positionierung und Führung des Werkstücks dient. Eine Kante des Werkstücks wird gegen den Parallelanschlag gedrückt, während die flache Brettseite auf dem Tisch aufliegt. Der Sägeschutz muss stets verwendet werden.

Starten Sie den Motor und schieben Sie das Werkstück ein, wobei es nach unten und gegen den Anschlag gedrückt wird. Stehen Sie bei Längsschnitten nie in einer Linie mit dem Schnittverlauf. Halten Sie das Werkstück mit beiden Händen fest und drücken Sie es längs des Anschlags in das Sägeblatt hinein. Das Werkstück kann dann mit einer Hand durch das Sägeblatt geschoben werden. Hiernach bleibt das Werkstück entweder auf dem Tisch liegen, es bewegt sich leicht nach oben und wird dann vom Ende des Schutzblechs aufgefangen oder es rutscht vom Tisch herunter auf den Boden. Das Werkstück kann auch bis zum Tischende weiterschoben werden, wo es abgehoben und außerhalb des Anschlags zurückgebracht wird. Der Schnittabfall bleibt auf dem Tisch liegen und wird erst mit den Händen angefasst, wenn das Sägeblatt angehalten hat, außer es handelt sich um ein großes Teil, das sicher weggenommen werden kann. Sind die Bretter für Längsschnitte länger als 900 mm, sollte das Werkstück am hinteren Ende des Sägetisches abgestützt werden, damit es nicht vom Sägetisch fallen kann.

VERWENDUNG DES SCHUBSTOCKS (ABB. C)

Bei Werkstücken, die weniger als 100 mm breit sind, sollte beim Längsschnitt immer ein Schubstock bis zum vollständigen Einschieben verwendet werden. Beim Längsschnitt von Materialien, die 50 mm oder schmaler sind, müssen Sie einen Hilfsanschlag an den Anschlag montieren, wie bereits im Abschnitt „VERWENDUNG DES HILFSANSCHLAGS AUF DEM PARALLELANSCHLAG“ erklärt. Verwenden Sie einen Schubstock.

Verwenden Sie einen Hilfsanschlag, wenn Sie Materialien wie dünne Tafelungen in Längsrichtung durchschneiden, damit das Material nicht zwischen Parallelanschlag und der Oberfläche des Sägetisches hängenbleibt.

TRANSPORT

■ Wenn Sie die Maschine eine kurze Distanz transportieren möchten, verwenden Sie bitte die 4 Tragepunkte. Die Tragepunkte sind durch Aufkleber auf der Unterseite des Sägegehäuses gekennzeichnet.

■ Bei einem länger dauernden Transport können Sie auch das Gehäuse abbauen und die Räder benutzen, siehe dafür ABBAU DES GEHÄUSES.

! ACHTUNG: Diese Tischsäge darf nicht sofort verwendet werden, ohne dass die Beine vollständig aufgebaut und sicher am Gehäuse verankert sind.

WARTUNG

ALLGEMEINE WARTUNGSARBEITEN

ACHTUNG: Maschine immer zuerst von der Stromversorgung trennen.

- Überprüfen Sie regelmäßig den Zustand und die Spannung sämtlicher Klemmen, Muttern, Bolzen, Schrauben und Riemen. Stellen Sie sicher, dass sich die Stichplatte in gutem Zustand und in richtiger Position befindet.
- Überprüfen Sie den Sägeblattschutz. Die Oberflächen des Tisches, den Anschlag und die Schienen regelmäßig mit einer Wachspaste pflegen und polieren, um einen reibungslosen Ablauf zu garantieren.
- Schützen Sie das Sägeblatt, indem Sie das Sägemehl unter dem Tisch und in den Sägezähnen entfernen. Verwenden Sie für die Sägezähne einen Harzlöser.
- Reinigen Sie Plastikteile nur mit einem weichen, feuchten Tuch. Verwenden Sie keine Aerosole oder Lösungsmittel auf Mineralölbasis.

SCHMIERUNG

Vor der Versendung wurde die Säge in der Fabrik geschmiert.

ÜBERPRÜFUNG DER AUSRICHTUNG DES PARALLELANSCHLAGS ZUM SÄGEBLATT (ABB. A)

Heben Sie den Verriegelungsbügel an, um den Parallelanschlag bewegen zu können.

Legen Sie den Tischlerwinkel neben das Sägeblatt und bewegen Sie den Anschlag zum Tischlerwinkel. Nehmen Sie das Abmaß Längsschnittskala.

Bewegen Sie den Anschlag nach hinten und drehen Sie den Rahmen um 180 Grad, um die gegenüberliegende Seite zu überprüfen.

Sollten die beiden Abmasse nicht identisch sein, lösen Sie die vier Schrauben und richten Sie alles erneut aus.

Ziehen Sie die zwei Schrauben wieder an.

Justieren Sie die Klemmschraube, um sicherzustellen, dass der Anschlag fest auf der Säge verankert werden kann.

AUSWECHSELN DER KOHLEBÜRSTEN (ABB. B)

LÄRMPEGEL

Der Geräuschpegel hängt sehr von der Maschine und wofür Sie benötigt wird ab.

Personen, die, wenn auch nur für kurze Zeit, hohen Lärmpegeln ausgesetzt sind, können einen teilweisen zeitlich begrenzten Hörverlust erleiden. Ist man einer anhaltend hohen Lärmbelastung ausgesetzt, so kann daraus ein dauerhafter Hörschaden entstehen. Zusätzlich muss ein geeigneter Gehörschutz bereit gestellt, gepflegt und getragen werden.



Vor Verwendung der Maschine müssen Sie die Bedienungsanleitung sorgfältig lesen.



Bevor Sie Arbeiten an der Maschine ausführen, müssen Sie die Maschine immer von der Stromversorgung trennen.



Tragen Sie einen Gehörschutz!



Tragen Sie immer eine Schutzbrille, wenn Sie an der Maschine arbeiten.



Lassen Sie Ihre Hände niemals den Weg des Sägeblatts kreuzen.



Setzen Sie die Maschine keinem Regen aus.



Gefahr



Entsorgen Sie elektrische Geräte nicht über den Hausmüll! Unter Einhaltung der europäischen Richtlinie 2002/96/EG den Elektronikschrott betreffend und der Umsetzung in der nationalen Gesetzgebung, müssen elektronische Werkzeuge, die entsorgt werden sollen, gesondert gesammelt und umweltfreundlich recycelt werden.



Zubehör - Nicht in der Standardausführung enthalten. Als Zubehör erhältlich.

FR - FRANCAIS

Mode d'emploi

Cher client,

Nous vous remercions de la confiance que vous nous portez avec l'achat de votre nouvelle machine JET. Ce manuel a été préparé pour l'opérateur de **la scie circulaire JET JTS-254**. Son but, mis à part le fonctionnement de la machine, est de contribuer à la sécurité par l'application des procédés corrects d'utilisation et de maintenance. Avant de mettre l'appareil en marche, lire les consignes de sécurité et de maintenance dans leur intégralité. Pour obtenir une longévité et fiabilité maximales de votre scie, et pour contribuer à l'usage sûr de la machine, veuillez lire attentivement ce mode d'emploi et suivre les instructions.

Table des Matières

1. Déclaration de conformité
2. Prestations de garantie
3. Sécurité
4. Spécifications

1. Déclaration de conformité

Par la présente et sous notre responsabilité exclusive, nous déclarons que ce produit satisfait aux normes conformément** aux lignes directrices* indiquées page 2. CE- contrôle du type*** effectué par****.

2. Prestations de garantie

Le vendeur garantit que le produit livré est exempt de défauts de matériel et de fabrication. La présente garantie ne s'applique pas aux défauts résultant d'une utilisation incorrecte directe ou indirecte, de l'inattention, d'un accident, d'une réparation, d'une maintenance ou d'un nettoyage insuffisant, ou encore de l'usure normale.

Il est possible de faire valoir des prétentions en garantie dans les 12 mois suivant la date de la vente (date de la facture). Toute autre prétention est exclue.

La présente garantie comprend toutes les obligations de garantie incombant au vendeur et remplace toutes les déclarations et conventions antérieures en termes de garanties.

Le délai de garantie s'applique pour une durée d'exploitation de huit heures par jour. Au-delà, le délai de garantie diminue proportionnellement au dépassement, mais pas en deçà de trois mois.

Le renvoi d'une marchandise faisant l'objet d'une réclamation requiert l'accord préalable exprès du vendeur et s'effectue aux frais et aux risques de l'acheteur.

Les prestations de garantie détaillées figurent dans les Conditions générales (CG). Ces dernières sont disponibles sur www.jettools.com ou peuvent être envoyées par la poste sur demande.

Le vendeur se réserve le droit de modifier à tout moment le produit et les accessoires.

CONSIGNES DE SÉCURITÉ

■ POUR VOTRE SÉCURITÉ, LISEZ CES INSTRUCTIONS AVANT TOUTE PREMIÈRE UTILISATION.

Il est impératif de maîtriser le fonctionnement et les limites d'exploitation de la machine ainsi que les dangers encourus en cas de mauvaise manipulation.

■ MAINTENEZ LES PROTECTIONS EN PLACE et en état de fonctionnement.

■ ENLEVEZ LES CLÉS DE SERRAGE ET DE RÉGLAGE.

Avant chaque mise en marche de la machine, prenez l'habitude de vérifier l'absence de clé ou de levier d'armement.

- VEILLEZ À DÉGAGER LA ZONE DE TRAVAIL. L'encombrement des zones et/ou plans de travail provoque des accidents.
- N'UTILISEZ PAS LA MACHINE DANS UN ENVIRONNEMENT À RISQUES. N'utilisez pas les appareils électriques dans des environnements humides et ne les exposez pas à la pluie. Veillez à ce que la zone de travail soit dégagée.
- ÉLOIGNEZ LES ENFANTS ET LES VISITEURS DE LA MACHINE. Les enfants et visiteurs doivent être tenus à distance de la zone de travail.
- INSTALLEZ DES SÉCURITÉS ENFANT : équipez les portes de serrures et l'interrupteur principal d'un verrou et éloignez toute clé permettant le démarrage de la machine.
- N'IMPOSEZ PAS DES CONTRAINTES EXCESSIVES À L'OUTIL. Il sera plus efficace et plus sûr s'il est exploité au régime pour lequel il a été conçu.
- UTILISEZ LES OUTILS APPROPRIÉS. Ne forcez pas l'outil ou l'un de ses accessoires pour des travaux autres que ceux pour lesquels il a été conçu
- PORTEZ DES VÊTEMENTS ADAPTÉS. Évitez les vêtements flottants, ne portez pas bagues, de gants, de cravate, de bracelets ou d'autres bijoux susceptibles d'être happés par les parties de la machine en mouvement. Portez des chaussures à semelles antidérapantes. Portez un couvre-chef enveloppant entièrement les cheveux longs.
- PORTEZ TOUJOURS DES VÊTEMENTS DE PROTECTION ADAPTÉS, NOTAMMENT
 - (1) des lunettes de protection.
 - (2) des protections auditives.
 - (3) une protection respiratoire
 - (4) Portez des gants lorsque vous manipulez les lames ou tout autre matériel râpeux. Les lames de scie devront au possible être transportées dans des étuis.
- SÉCURISEZ LES CONDITIONS DE TRAVAIL Utilisez des fixations ou un étau pour bloquer la pièce si possible. Cela diminue les risques de dommages corporels et vous disposez ainsi de vos deux mains

pour manipuler l'outil.

- VEILLEZ À TOUJOURS GARDER L'ÉQUILIBRE. Veillez à ne pas trébucher ou à perdre l'équilibre.
- MAINTENEZ LES OUTILS EN BONNES CONDITIONS D'UTILISATION. Veillez à conserver les arrêtes de coupe propres et bien acérées pour de meilleurs résultats, en toute sécurité. Suivez les instructions pour le graissage et le changement des accessoires.
- DÉBRANCHEZ LES OUTILS avant inspection et pour changer les accessoires tels que la lame, pièces, cutters, etc
- **UTILISEZ LES ACCESSOIRES RECOMMANDÉS.**
L'utilisation d'accessoires non appropriés peut causer des accidents.
- ÉVITEZ LA MISE EN MARCHÉ INVOLONTAIRE. Assurez-vous que l'interrupteur est EN position "ARRÊT" avant de brancher la machine.
- NE MONTEZ JAMAIS SUR LA MACHINE. Le basculement de la machine ou le contact avec l'outil coupant peut causer des accidents très graves.
- CONTRÔLEZ LES PIÈCES DÉFECTUEUSES. Avant toute utilisation de la machine, toute partie suspectée d'être endommagée doit faire l'objet d'une inspection minutieuse pour s'assurer qu'elle fonctionnera correctement et qu'elle remplira sa fonction - vérifiez l'alignement des pièces amovibles, les pièces fêlées, le montage. Toute pièce défectueuse devra être réparée ou remplacée.
- INSTRUCTION DE COUPE Faites avancer la pièce contre la lame ou un objet coupant uniquement dans le sens contraire de rotation de la lame ou de l'objet coupant.
- NE LAISSEZ JAMAIS LA MACHINE FONCTIONNER SANS SURVEILLANCE. METTEZ L'APPAREIL HORS TENSION.
Ne quittez jamais la machine jusqu'à ce qu'elle soit complètement arrêtée.

■ MÉDICAMENTS, ALCOOL, DROGUES. Ne manipulez jamais la machine sous l'empire de drogues, alcool ou autres médicaments.

■ ASSUREZ-VOUS QUE L'APPAREIL EST MIS HORS TENSION

pendant le montage, le branchement ou le débranchement du moteur.

⚠ AVERTISSEMENT : La poussière générée par certains types de bois ou produits à base de bois peut être préjudiciable pour votre santé. Travaillez toujours dans un environnement aéré et équipé d'un système d'évacuation de la poussière.

Utilisez un système d'évacuation de poussière pendant le sciage.

⚠ AVERTISSEMENT : La scie doit être placée sur un support stable, à hauteur de taille tel qu'un établi ou un trépied. Vous trouverez dans ce manuel plusieurs illustrations de scie non fixée.

⚠ AVERTISSEMENT ! L'utilisation d'appareils électriques nécessite d'observer un certain nombre de précautions basiques pour limiter les risques d'incendie, de choc électrique et de blessures corporelles : lisez toutes les instructions avant de manipuler la machine et conservez ce manuel.

■ Utilisez TOUJOURS le protège-lame, le fendeur et les doigts anti-rebond pour les coupes totales. On parle de coupes totales lorsque la pièce est entièrement traversée par la lame. C'est le cas des coupes longitudinales ou transversales.

■ Maintenez TOUJOURS fermement la pièce contre le guide.

■ Utilisez TOUJOURS le bâton poussoir pour la coupe longitudinale de pièces étroites. Reportez-vous aux points sur la coupe longitudinale du présent manuel pour en savoir plus sur l'utilisation du bâton poussoir. Consultez le schéma du bâton poussoir.

■ N'effectuez **JAMAIS** une opération de sciage "à main-levée". Vos mains doivent toujours maintenir ou guider la pièce. Utilisez toujours l'un ou l'autre des guide (refente / angulaire) pour positionner et faire avancer la pièce.

■ Ne vous tenez **JAMAIS** sur la trajectoire de la lame. **ÉLOIGNEZ** les mains de la trajectoire de la lame.

■ Ne tentez en aucun cas d'atteindre l'arrière ou le dessus de l'organe coupant avec la main.

■ **RETIREZ** le guide de refente de la trajectoire de la coupe transversale.

■ N'utilisez **JAMAIS** le guide comme jauge de coupe pour les coupes transversales.

■ **INSTRUCTION DE COUPE.** Faites avancer la pièce contre la lame ou un objet coupant uniquement dans le sens contraire de rotation de la lame ou de l'objet coupant.

■ N'essayer **JAMAIS** d'enlever une lame coincée sans mettre au préalable l'interrupteur en position **ARRÊT**. Éteignez immédiatement l'appareil pour éviter d'endommager le moteur.

■ Prévoyez des supports adéquats sur les côtés et à l'arrière de la machine pour les pièces longues ou plus larges que la table de coupe.

■ **ÉVITEZ LES REBONDS** (pièces qui sont projetées en direction de l'utilisateur) en :

(1) Veillant à ce que la lame soit bien affûtée.

(2) Maintenant le guide de refente parallèle à la lame.

(3) Maintenant le fendeur et le protège-lame en place et en bon état de fonctionnement.

(4) Ne relâchant pas la pression exercée sur la pièce avant de l'avoir poussée hors de la lame.

(5) En n'effectuant pas une coupe longitudinale sur une pièce tordue, déformée ou qui ne possède pas une extrémité suffisamment droite pour pouvoir être guidée correctement.

■ **ÉVITEZ** les travaux difficiles et les positions maladroites des mains pouvant les faire happer par la lame en cas de glissement soudain.

■ N'utiliser JAMAIS de solvants pour nettoyer les pièces en plastique. Les solvants peuvent dissoudre ou endommager le matériau. Utilisez uniquement un chiffon doux humide pour nettoyer les parties en plastique.

■ Montez TOUJOURS la scie sur une surface stable avant toute opération de coupe.

■ Ne coupez JAMAIS des métaux ou matériaux pouvant générer des déchets dangereux

■ Travaillez TOUJOURS dans un endroit bien ventilé. Nettoyez régulièrement la sciure. Enlevez la sciure des parties internes de la scie pour éviter tout risque d'incendie.

■ N'utilisez jamais de lames endommagées ou déformées.

Remplacez les plaques usagées ;

N'utilisez que les lames recommandées par le fabricant, conformes à la norme EN 847-1. Pour le changement de la lame, assurez-vous que la largeur de la rainure ne soit pas inférieure et que le corps de la lame ne soit pas plus épais que le fendeur. Assurez-vous également que la lame choisie corresponde au matériau à couper.

■ Remplacez les plaques usagées.

■ N'utilisez que les lames recommandées par le fabricant, Avertissement : Le fendeur ne doit pas être plus épais que le trait de scie de la lame ni plus fin que le corps de la lame.

■ Notez que le choix de la lame dépend du matériau à couper. N'utilisez que des lames pour lesquelles la vitesse maximum d'exécution n'est pas inférieure à la vitesse maximum d'exécution de la machine elle-même et du matériau à couper. N'utilisez pas de lame en acier rapide (ARS).

■ Utilisez ce banc de scie uniquement pour la coupe de bois ou de produits en bois.

■ Utilisez le bâton poussoir Rangez le bâton poussoir avec la machine.

■ Raccordez la scie à un collecteur de poussière pendant le sciage.

■ Rangez les outils non utilisés. Les outils non utilisés doivent être rangés dans des endroits secs et fermés, hors de portée des enfants.

■ Installez un système d'aspiration de la poussière. Assurez-vous que cet équipement soit correctement raccordé et bien exploité.

■ Ne manipulez pas le cordon d'alimentation de façon brusque. Ne tirez jamais le cordon d'un coup sec pour débrancher. Éloignez le cordon des sources de chaleur, de carburant ou d'objets coupants.

■ Restez vigilant. Soyez attentif à la tâche que vous effectuez, faites preuve de bon sens et n'utilisez jamais l'appareil en cas de fatigue.

■ Contrôlez régulièrement les cordons des outils. En cas de dommage, le faire réparer par un prestataire agréé. Contrôlez le cordon et remplacez-le s'il est endommagé.

■ Faites réparer l'outil par une personne qualifiée. Cet outil répond aux normes de sécurité en vigueur. Les réparations doivent être effectuées par des personnes qualifiées utilisant des pièces de rechange originales, au risque de présenter un danger pour l'utilisateur.

■ Utilisez des rallonges conçues pour l'extérieur. Lorsqu'un outil est utilisé en extérieur, utilisez des rallonges destinées à un usage en extérieur uniquement et reconnu comme tel.

PRÉCAUTION / UTILISATION DU PLATEAU DE GLISSE

Une pièce d'une longueur supérieure à 900 mm est susceptible de tomber de la table après avoir été coupée. Une telle pièce doit être soutenue par un support adapté tel qu'un tréteau, un tréteau à rouleau ou par une personne tierce.

■ Le plateau de glisse extensible offre une largeur de travail supplémentaire pour les grosses pièces.

■ Desserrez les molettes situées sur le plateau extensible en les tournant dans le sens inverse des aiguilles d'une montre.

■ A l'aide des deux mains, saisissez le plateau extensible et tirez-le.

■ Resserez les molettes. Les opérations courantes de sciage comprennent la coupe longitudinale et la coupe transversale plus quelques autres opérations basiques. Comme pour tout appareil électrique, la manipulation de cet appareil comporte un certain nombre de risques. L'utilisation de la machine dans le respect des consignes d'utilisation et de sécurité permet de diminuer considérablement les risques d'accident.

En revanche, le non respect des consignes de sécurité et instruction peut entraîner des blessures corporelles graves. Les informations ci-après décrivent la marche à

suivre pour effectuer les opérations de sciage les plus courantes dans les meilleures conditions et en toute sécurité.

SPÉCIFICATIONS

Tension nominale	220-240V~
Puissance	1800W
Vitesse vide	4500/min-1
Dimensions de la lame	254 x 30 mm
Poids	25 kg
Profondeur de coupe à 90°	90 mm
Profondeur de coupe à 45°	65 mm
Niveau de puissance acoustique :	98 dB(A) ~ 111 dB(A)
Niveau de pression acoustique :	111 dB(A)

ALIMENTATION ÉLECTRIQUE DE LA SCIE

BRANCHEMENT ÉLECTRIQUE

Il est conseillé d'utiliser un circuit électrique distinct pour les outils. En cas d'utilisation d'une rallonge, raccordez à des prises terre et autres prises qui acceptent les fiches secteur des outils.

Faites immédiatement réparer ou remplacer par un électricien qualifié le cordon électrique s'il est endommagé ou usagé. Avant tout branchement, assurez-vous que l'interrupteur est positionné sur "ARRÊT" et que le courant électrique correspond aux caractéristiques de la plaque signalétique. Toutes les connexions doivent être en parfait état de fonctionnement. Le fonctionnement de la machine à une tension moindre peut endommager le moteur.

⚠ AVERTISSEMENT : N'EXPOSEZ JAMAIS LA MACHINE À LA PLUIE OU AUX ENVIRONNEMENTS HUMIDES; INSTRUCTIONS DE MISE À LA TERRE.

FONCTIONNEMENT

Les opérations courantes de sciage comprennent la coupe longitudinale et la coupe transversale plus quelques autres opérations basiques. Comme pour tout appareil électrique, la manipulation de cet appareil comporte un certain nombre de risques.

L'utilisation de la machine dans le respect des consignes d'utilisation et de sécurité permet de diminuer considérablement les risques d'accident. En revanche, le non respect des consignes de sécurité et instruction peut entraîner des blessures corporelles graves. Les instructions ci-après décrivent la marche à suivre pour optimiser en toute sécurité les travaux de sciage.

COUPE TRANSVERSALE

La coupe transversale nécessite l'utilisation du guide de coupe angulaire pour positionner et faire avancer la pièce. Placez la pièce contre la guide de coupe angulaire et faites avancer les deux en direction de la lame. Le guide de coupe angulaire peut être utilisé dans l'une ou l'autre des gorges de la table.

Pour une coupe en biseau (lame inclinée), utilisez la gorge avec le protège-lame. Utilisez toujours le protège-lame.

Démarrez la coupe lentement et maintenez fermement la

pièce contre le guide de coupe angulaire et la table. Une des règles de manipulation d'une scie est de ne jamais retenir ou toucher une pièce sciée. Tenez la pièce soutenue et non la partie sciée. En coupe transversale, l'avance continue jusqu'à ce que la pièce soit coupée en deux et que le guide de coupe angulaire et la pièce soient tirés en arrière au point de départ. Avant de ramener la pièce à soi, il est conseillé de la faire pivoter sur le côté et de l'éloigner délicatement de la lame. N'essayez jamais de retirer de la table des copeaux de bois en cours de sciage. Un opérateur averti ne prendra pas de la main une chute d'une taille inférieure à 30 centimètres.

⚠ AVERTISSEMENT : N'UTILISEZ JAMAIS LE GUIDE COMME JAUGE DE COUPE POUR LA COUPE TRANSVERSALE.

Pour des raisons de commodité et de sécurité, le guide de coupe angulaire peut être équipé d'un guide auxiliaire. Le guide auxiliaire pourra être fixé, à l'aide de deux vis à bois, sur l'avant du guide de coupe angulaire grâce aux orifices prévus à cet effet.

COUPE LONGITUDINALE

La coupe longitudinale consiste à couper dans la sens de la longueur une pièce, le guide de refente est alors utilisé pour maintenir et guider la pièce. Un bord de la pièce avance contre le guide de refente tandis que l'autre reste sur la table. Utilisez toujours le protège-lame.

Allumez le moteur et appuyez la pièce contre la plateau en la maintenant contre le guide.

Ne vous positionnez jamais sur la trajectoire de la coupe. Tenez la pièce des deux mains et poussez-la le long du guide et à l'encontre de la lame. La pièce peut ensuite être avancée sur la lame avec une seule main. Une fois la découpe effectuée, soit la pièce restera sur la table, s'inclinera légèrement et sera happé à l'arrière du protège-lame, soit la pièce glissera hors de la table et tombera sur le sol. L'avance peut continuer jusqu'au bout de la table, après quoi la pièce est soulevée et ramenée le long de l'extrémité extérieure du guide. La pièce

découpée reste sur la table et ne doit pas être touchée avec les mains jusqu'à ce que la lame soit complètement arrêtée,

sauf s'il s'agit de grosses pièces pouvant être manipulées en toute sécurité. Pour les coupes longitudinales de panneaux d'une longueur supérieure à 900mm, il est recommandé d'utiliser un support à l'arrière de la scie pour empêcher la pièce de tomber de la table.

UTILISATION DU BÂTON POUSSOIR (FIG. C)

Si la pièce a une largeur inférieure à 100mm, il est recommandé d'utiliser un bâton poussoir pour poursuivre l'avance. Pour la coupe de pièces de 50mm ou moins, annexe le guide auxiliaire au guide de refente tel qu'indiqué dans la section "UTILISATION DU GUIDE AUXILIAIRE AVEC LE GUIDE DE REFENTE" et utilisez le bâton poussoir.

Le guide auxiliaire est nécessaire en cas de coupe longitudinale de matériaux tels que du lambris fin pour éviter que la pièce ne soit coincée entre le guide de refente et la surface du banc de scie.

TRANSPORT

■ Pour déplacer la machine sur de courtes distances, utilisez les 4 points de prise prévues pour le transport. Les points de prise sont indiqués sur la scie par des autocollants situés au bas du coffrage.

■ Vous pouvez également fermer le trépied, cf FERMETURE DU TRÉPIED, et de fait utiliser les roues pour des déplacements plus longs.

⚠ AVERTISSEMENT : Ce banc de scie n'est pas conçu pour être utilisé sans les pieds, qui doivent être complètement détendus et constamment fixés au corps de la machine.

ENTRETIEN

ENTRETIEN GÉNÉRAL

AVERTISSEMENT : Débranchez toujours la fiche secteur.

- Contrôlez périodiquement les fixations, verrous, boulons, vis et courroies pour s'assurer des serrages et du bon fonctionnement. Assurez-vous que le col du plateau est en bon état de fonctionnement et bien positionné.
- Vérifiez le protège-lame. Pour maintenir les surfaces de travail, les guides et rails en bon état de fonctionnement, appliquez de la cire et lustrer pour faciliter la glisse.
- Protégez la lame en nettoyant la sciure accumulée sous la table et sur les crans de la lame. Utilisez un solvant à la résine sur les crans de la lame.
- Nettoyez les parties plastiques de la machine à l'aide d'un chiffon doux humide. N'utilisez jamais d'aérosol ou de solvants à base d'hydrocarbure.

LUBRIFICATION

Cette scie a été lubrifiée à l'usine avant son expédition.

VÉRIFICATION DE L'ALIGNEMENT DE GUIDE DE REFENTE À LA LAME (FIG.A)

Soulevez la poignée de verrouillage pour retirer le guide de refente.

Placez une équerre de charpente à côté de la lame et déplacez le guide jusqu'à l'équerre. Mesurez à l'aide de l'échelle du guide.

Ramenez en arrière le guide et tournez l'équerre à 180 degrés pour vérifier l'autre côté.

Si les deux dimensions ne sont pas identiques, desserrez les quatre vis et alignez le guide.

Resserrez les deux vis.

Ajustez la vis de serrage de sorte que le guide soit verrouillé sur la scie.

CHANGEZ LES BROSSES CARBONE (FIG.B)

NIVEAU SONORE

Les niveaux sonores peuvent varier d'une machine à l'autre selon les conditions d'utilisation.

Les personnes qui ont été exposées à un niveau sonore élevé, même pendant une courte durée, peuvent connaître des pertes auditives passagères. Une exposition prolongée à des niveaux sonores élevés peut causer des dommages irréversibles sur

l'audition. Par conséquent, le maniement de l'appareil doit s'accompagner de protections auditives adaptées.



Veillez lire attentivement les instructions avant de manipuler la machine.



Débranchez toujours la fiche secteur avant toute utilisation de la machine.



Portez des protections auditives !



Portez des lunettes de protection lorsque vous utilisez la machine.



Éloignez vos mains de la trajectoire de la lame.



Évitez tout contact de vos outils avec la pluie.



Danger



Ne jetez pas vos outils électriques avec les ordures ménagères ! Conformément à la Directive

Européenne 2002/96/CE relative aux déchets d'équipements électriques et électroniques et à sa transposition dans le droit national, les appareils électriques en fin de vie doivent être collectés séparément pour être traités dans un circuit de recyclage approprié.



Accessoire - Non fourni dans l'équipement standard, disponible en tant qu'accessoire

E Alum. Sliding table
rovides a sturdy work
support surface

D Der Aluminium-
Schiebetisch bietet eine
stabile Auflagefläche

F Le plateau de glisse
en aluminium offre une
surface de travail solide

E Blade guard Assembly

D Sägeblattschutz

F Protège-lame

E Rip/Auxiliary fence

D Parallel-/Hilfsanschlag

F Guide de refente/auxiliaire

E Miter gauge

D Gehrungsmass

F Guide de coupe
angulaire

E Push Stick

D Schubstock

F Bâton poussoir

E Lock Lever

D Feststellhebel

F Levier de verrouillage

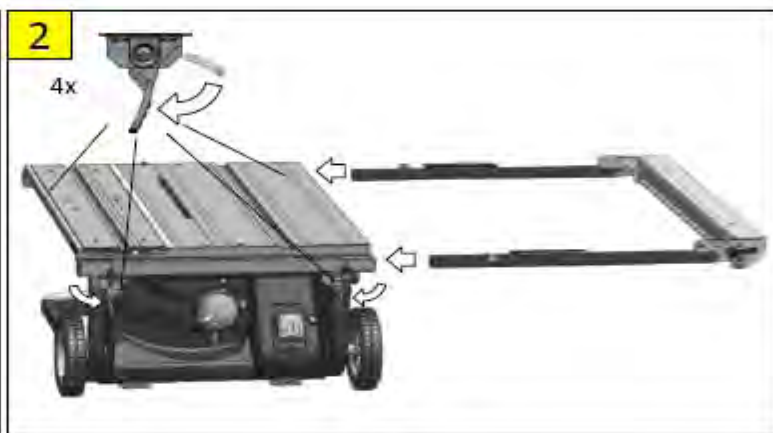
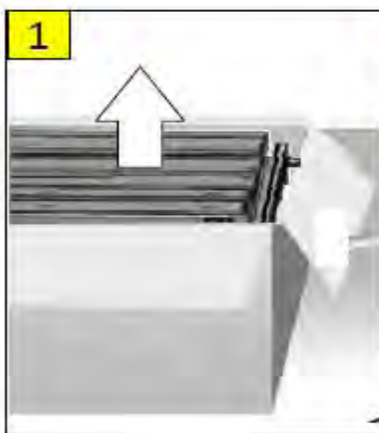
E Push on-off

Magnetic switch

D Magnetschalter
zum Ein-/Ausschalten

F Interrupteur marche-arrêt
magnétique





E Assembly – To install the extension table

1. Take the machine out of the carton.
2. Loose 4 clamps & mount the front/rear rails
3. Tighten 2 screws.

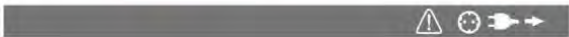
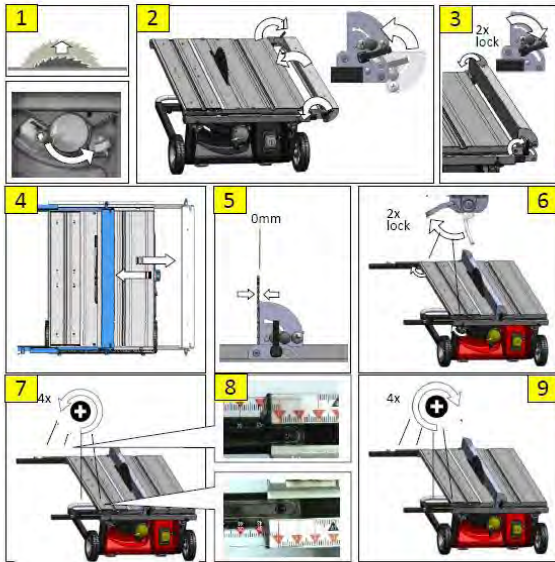
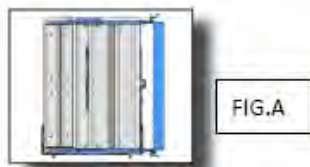
D Zusammenbau - Montage des Ausziehtisches

1. Nehmen Sie das Gerät aus dem Karton.
2. Lösen Sie die 4 Klemmen & befestigen Sie die vordere und hintere Schiene.
3. Ziehen Sie die 2 Schrauben an.

F Assemblage - Installation de la rallonge de table

1. Sortez la machine de son carton.
2. Desserrez les 4 fixations et montez les rails avant/arrière
3. Serrez les 2 vis.





E Operation: To set the extension fence indicator to the blade

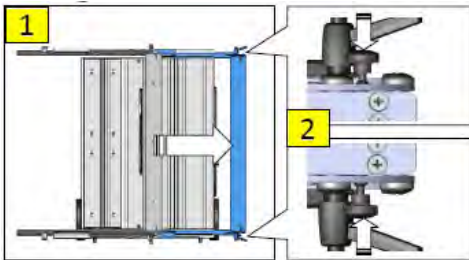
1. Raise the saw blade by turning the height/bevel adjusting handwheel to the top position.
2. Loose the front/rear rail clamps Turn up the fence in parallel position of the saw blade.
3. Lock 2 fence clamps
4. Set the fence gently against the blade tip edge
5. Control
6. Lock the left side rail clamps
7. Loose the indicator screws
8. Set the front/rear indicator to zero
9. Tighten the indicator screws and lower the height/bevel adjusting handwheel to the bottom position

D Bedienung: Einstellen des ausziehbaren Anschlags und der Schnittbreite zum Sägeblatt

1. Heben Sie das Sägeblatt indem Sie das Handrad zur Justierung von Höhe/Schrägstellung in die oberste Position bringen.
2. Lösen Sie die vorderen/hinteren Schienenklemmen. Bringen Sie den Anschlag in eine parallele Position zum Sägeblatt.
3. Schließen Sie die zwei Anschlagklemmen.
4. Legen Sie den Anschlag vorsichtig an das Sägeblatt an.
5. Kontrolle
6. Schließen Sie die Schienenklemmen an der linken Seite.
7. Lösen Sie die Schrauben des Gradmessers.
8. Setzen Sie den vorderen/hinteren Pfeil des Masstabes auf Null.
9. Ziehen Sie die Schrauben des Masstabes fest und setzen Sie das Handrad zur Justierung von Höhe/Schrägstellung in die unterste Position.

F Fonctionnement : Réglage de l'indicateur du guide extensible par rapport à la lame

1. Soulevez la lame en tournant le volant de réglage de la hauteur/d'inclinaison vers le haut
2. Déserrez les fixations des rails avant / arrière Positionnez le guide parallèlement à la lame en le faisant basculer vers le haut.
3. Verrouillez les 2 fixations du guide
4. Ramenez délicatement le guide contre la lame.
5. Control
6. Verrouillez les fixations des rails situées sur la partie gauche.
7. Desserrez les vis de l'indicateur
8. Positionnez l'indicateur avant/arrière sur zéro
9. Serrez les vis de l'indicateur et abaissez le volant de réglage de la hauteur/d'inclinaison en tournant vers le bas.



E Operation: To use extension fence(A)

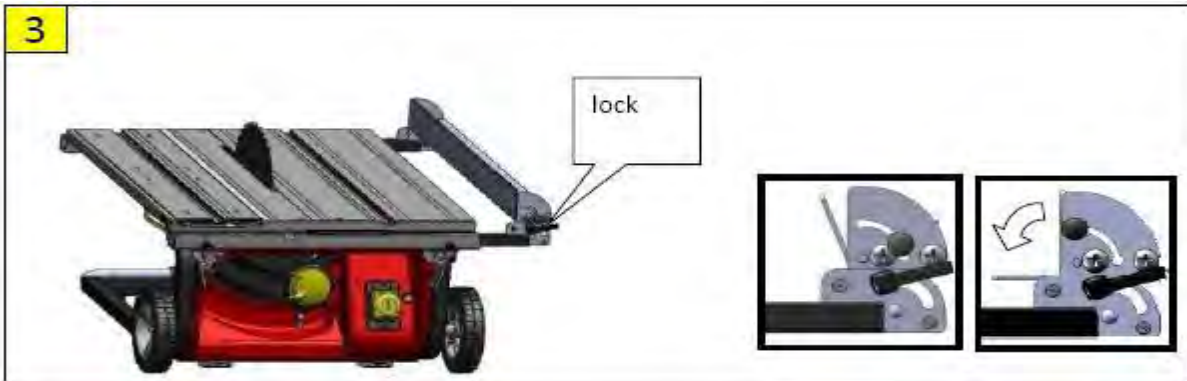
1. Pull the extension fence out of the table
2. Press the extension position buttons
3. Turn the fence and make the pin from position b point to position a
4. Release the buttons and make the pin to lock position

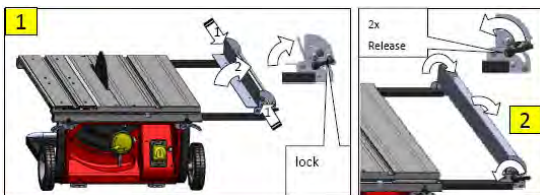
D Bedienung: Verwendung des ausziehbaren Anschlags (A)

1. Ziehen Sie den ausziehbaren Anschlag aus dem Tisch.
2. Drücken Sie die Positionsknöpfe der Erweiterung.
3. Drehen Sie den Anschlag und bringen Sie den Stift von Position b in Position a.
4. Lassen Sie die Knöpfe los und lassen Sie diese einrasten.

F Fonctionnement : Utilisation du guide extensible (A)

1. Tirez le guide extensible de la table.
2. Pressez les boutons de positionnement du guide extensible.
3. Basculez le guide de sorte que la goupille passe de la position b à la position a
4. Relâchez les boutons de sorte que le goupille se verrouille





E Operation: To use extension fence(B)

1. Reverse the operations 2~4 from "To use extension fence(A)"
2. Loose the fence clamps 3. Turn down the fence in parallel position of the table
4. Pull the extension table to the demand position and lock the clamps

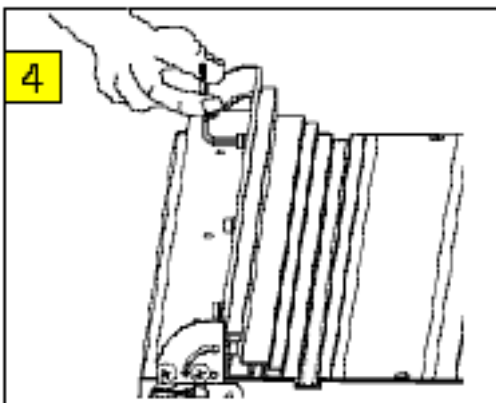
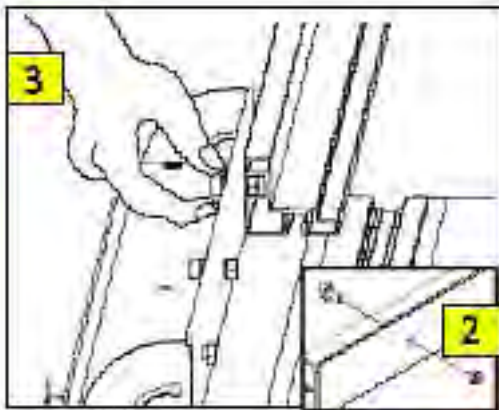
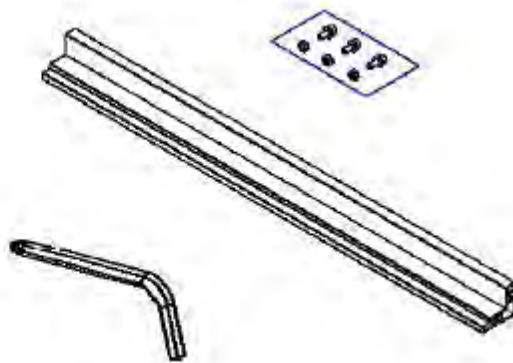
D Bedienung: Verwendung des ausziehbaren Anschlags (B)

1. Befolgen Sie die Anweisungen 2-4 in „Verwendung des ausziehbaren Anschlags (A)“ in umgekehrter Reihenfolge.
2. Lösen Sie die Anschlagklemmen.
3. Drehen Sie den Anschlag herunter, sodass er parallel zum Tisch liegt.
4. Ziehen Sie den Ausziehtisch in die benötigte Position und schließen Sie die Klemmen.

F Fonctionnement : Utilisation du guide extensible (B)

1. Inversez les opérations 2 à 4 du point "Utilisation du guide extensible (A)"
2. Desserrez les fixations du guide 3. Positionnez le guide parallèlement à la table en le faisant basculer vers le bas
4. Tirez le plateau extensible jusqu'à la position souhaitée et verrouillez les fixations





E Operation: To use the auxiliary fence

1. Same as operations 2-4 from "Operation: To set the extension fence indicator to the blade"
2. Set No. 162 Screws (x3) & No.163 Nuts (x3) into the holes of the extension fence
3. Slide aux. fence over nuts
4. Tighten No. 162 Screws (x3)

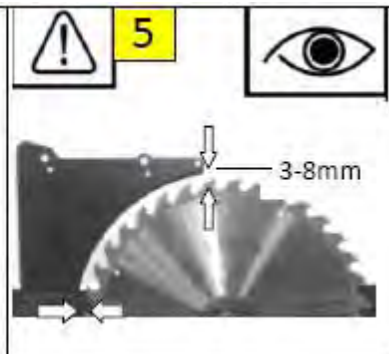
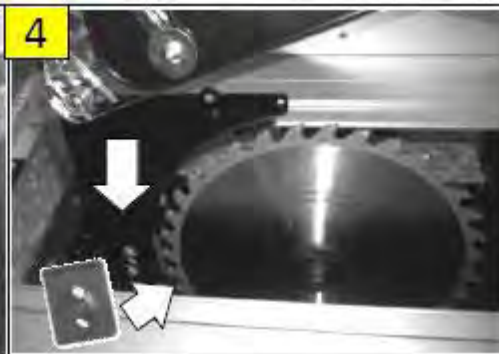
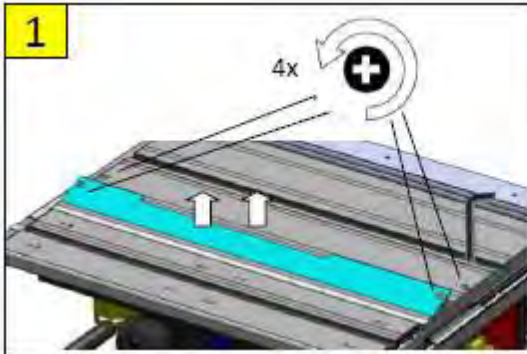
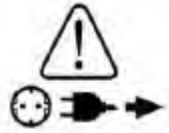
D Bedienung: Verwendung des Hilfsanschlags

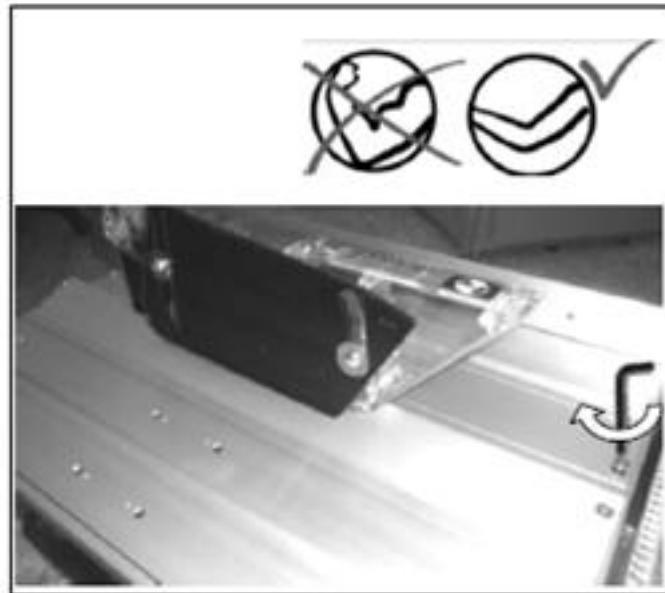
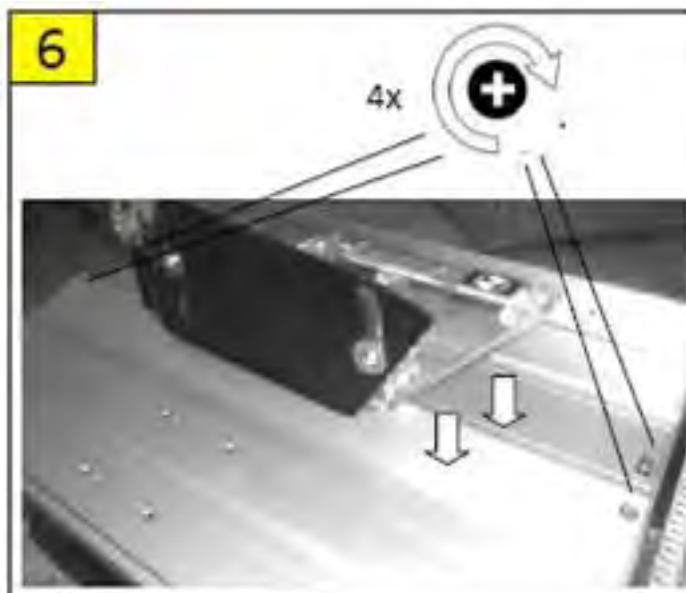
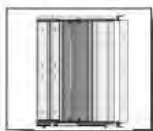
1. Entspricht den Punkten 2-4 in „Bedienung: Einstellen des ausziehbaren Anschlags und des Gradmessers an das Sägeblatt“.
2. Setzen Sie die Schrauben Nr. 162 (3 x) und die Muttern Nr.163 (3 x) in die Löcher des ausziehbaren Anschlags.
3. Schieben Sie den Hilfsanschlag über die Muttern.
4. Ziehen Sie die Schrauben Nr. 162 an (3 x).

F Fonctionnement : Utilisation du guide auxiliaire

1. Manipulations identiques aux opérations 2 à 4 du point "Fonctionnement : Réglage de l'indicateur du guide extensible"
2. Placez les vis n°162 (x3) et les écrous n°163 (x3) dans les orifices du guide extensible prévus à cet effet
3. Faites glisser le guide auxiliaire sur les écrous
4. Serrez les vis n°162 (x3)







E Operation: Install blade guard assembly

1. Loose 4 screws and take off the table inserts
2. Raise the saw blade to top position and turn it to bevel position 10~15 degrees.
3. Loose riving knife plate
4. Set blade guard assembly into the riving knife dock & tighten riving knife plate
5. Make sure the gap of riving knife and saw blade is 3~8mm
6. Set the table inserts and tighten the screws

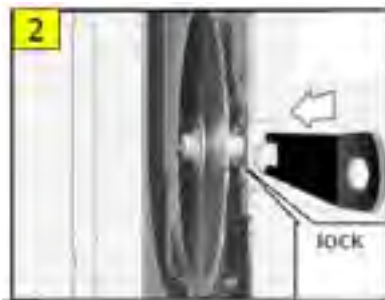
D Bedienung: Montage des Sägeblattschutzes

1. Lösen Sie 4 Schrauben und nehmen Sie den Tischeinsatz heraus.
2. Heben Sie das Sägeblatt in die oberste Position und bringen Sie es in eine 10 - 15 Grad-Schräglage.
3. Lösen Sie die Spaltkeilplatte.
4. Setzen Sie den Sägeblattschutz an die vorgesehene Stelle des Spaltkeils und ziehen Sie die Spaltkeilplatte fest.
5. Vergewissern Sie sich, dass die Lücke zwischen Spaltkeil und Sägeblatt 3 - 8 mm beträgt.
6. Platzieren Sie den Tischeinsatz und ziehen Sie die Schrauben an.

F Fonctionnement : Installation du protège-lame

1. Desserrez les 4 vis et ôtez les plaques de la table
2. Soulevez la lame en position supérieure et inclinez-la de 10 à 15 degrés.
3. Desserrez la plaque du fendeur
4. Placez le protège-lame à l'intérieur du dispositif du fendeur et serrez la plaque du fendeur
5. Veillez à assurer un espace de 3 à 8 mm entre le fendeur et la lame
6. Placez les plaques et resserrez les vis





E Operation: To install/remove the saw blade

1. Reverse operations 1~4 from "Operation: Install blade guard assembly"
2. Hold the arbor by wrench B
3. Release the nut by wrench A

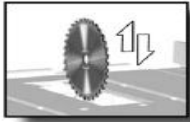
D Bedienung: Montage/Entfernung des Sägeblatts

1. Befolgen Sie die Anweisungen 1-4 in „Bedienung: Montage des Sägeblattschutzes“ in umgekehrter Reihenfolge.
2. Halten Sie die Blattwelle mit Schraubenschlüssel B.
3. Lösen Sie die Mutter mit Schraubenschlüssel A.

F Fonctionnement : Installation/démontage de la lame

1. Inversez les opérations 1 à 4 du point "Fonctionnement : Installation du protège-lame"
2. Maintenez l'arbre à l'aide de la clé à fourche B
3. Desserrez l'écrou à l'aide de la clé A





E Operation: To install/remove the saw blade

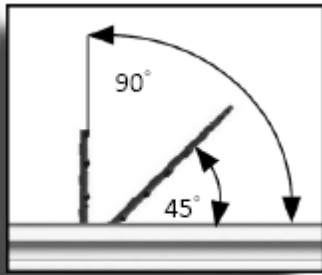
4. Take off the shown parts as drawing 4 shown
5. Install new saw blade and parts as drawing 5 shown
6. Hold the arbor by wrench B & tighten the nut by wrench A

D Bedienung: Montage/Entfernung des Sägeblatts

4. Entfernen Sie die in Abbildung 4 gezeigten Teile.
5. Montieren Sie das Sägeblatt und die Teile wie in Abbildung 5 gezeigt.
6. Halten Sie die Blattwelle mit Schraubenschlüssel B und ziehen Sie die Mutter mit Schraubenschlüssel A an.

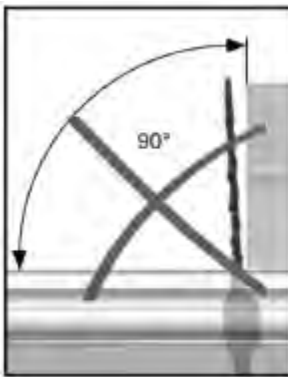
F Fonctionnement : Installation/démontage de la lame

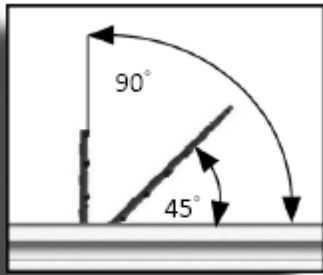
4. Retirez les parties désignées sur le schéma 4
5. Installez la nouvelle lame et les autres pièces désignées sur le schéma 5
6. Maintenez l'arbre à l'aide de la clé B & serrez l'écrou avec la clé A



E Operation: Adjusting 90 and 45 degree positive stop

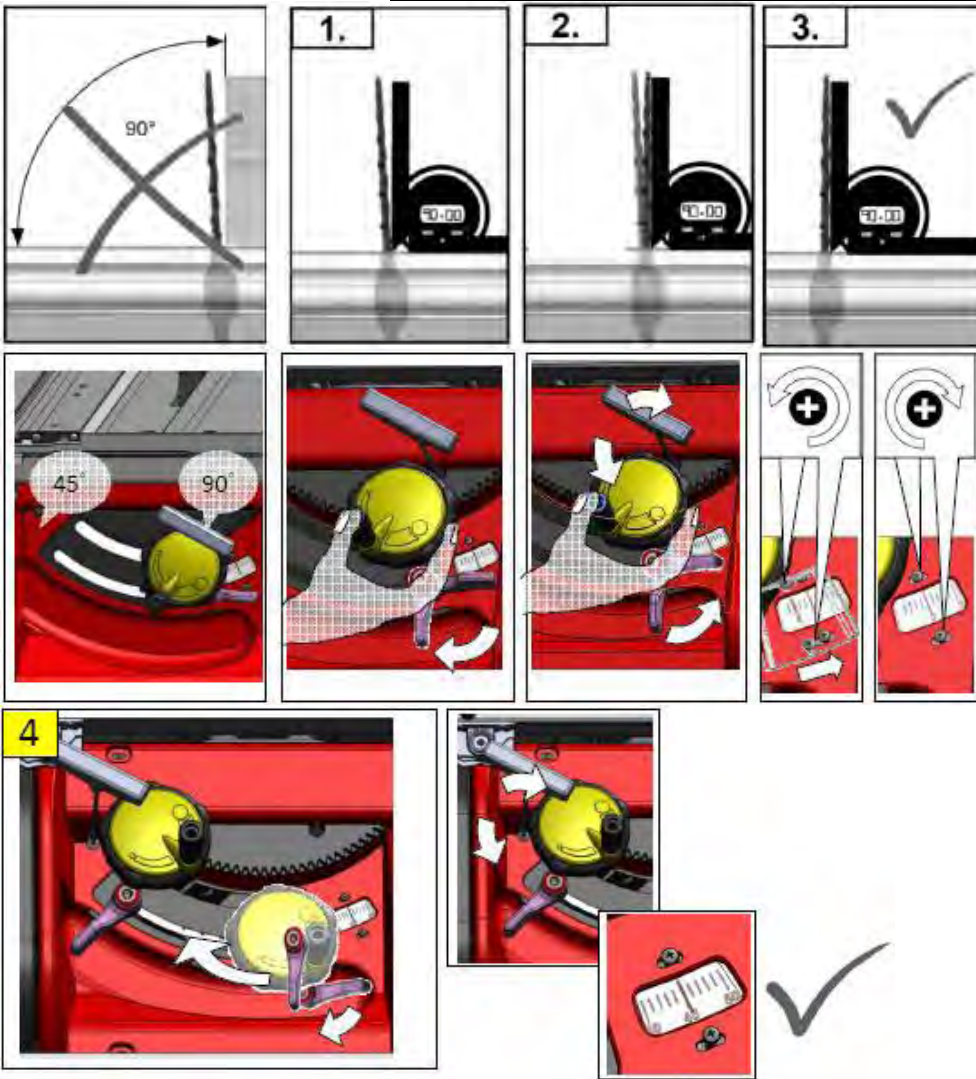
1. Loosen bevel handwheel and set the blade align the left side of angle gauge at 90 degree
2. Use 3mm wrench to loosen screw a few turns and move the blade until the blade is at 90 degree to the table, then tighten screw
3. Loosen angle indicator screws and set the indicator at 90 degree, then tighten indicator screws
4. Loosen bevel handwheel and set the blade at 45 degree, and then loosen angle indicator screws and set the indicator at 40 degree, then tighten indicator screws

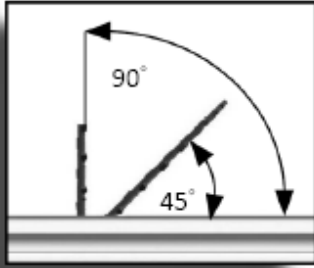




D Bedienung: Justierung des Festanschlags für den 90 und 45 Grad Winkel

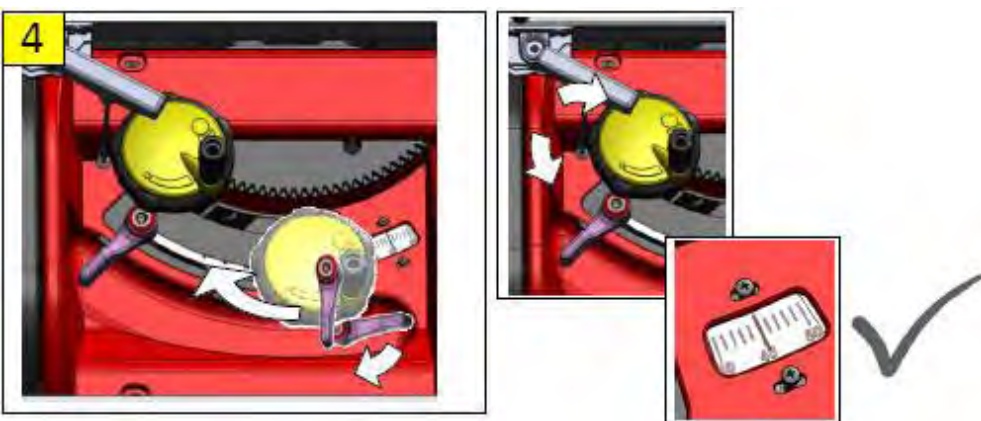
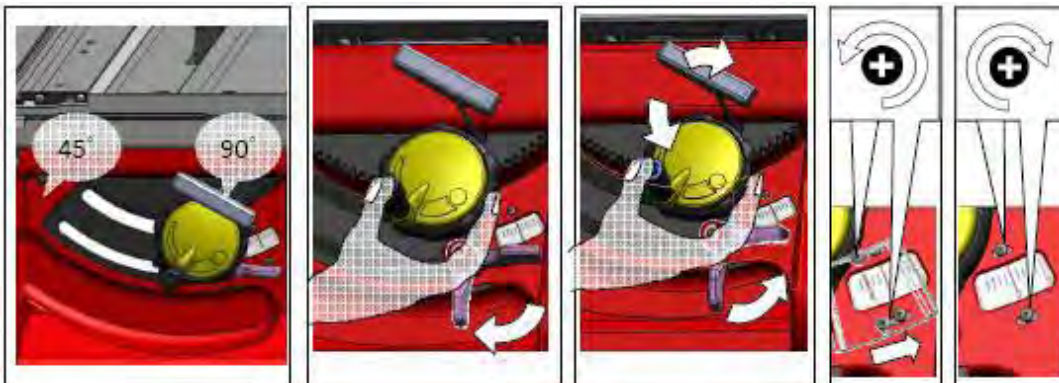
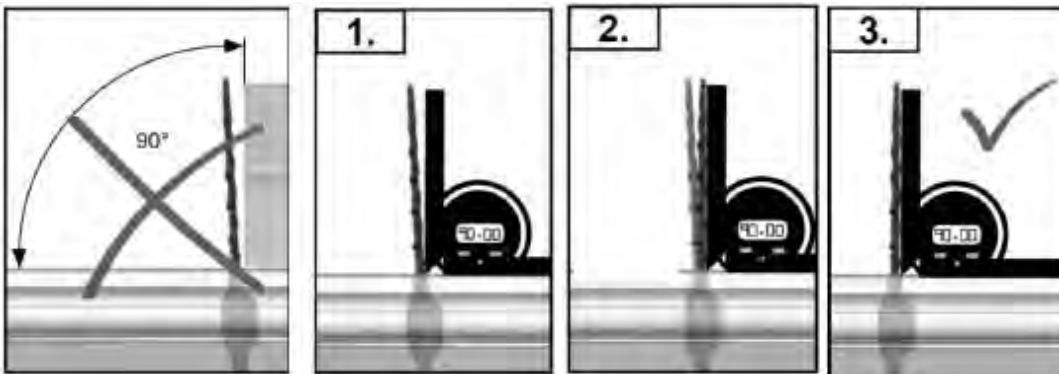
1. Lösen Sie das Handrad und richten Sie das Sägeblatt durch Kippen im linken Bereich in einem 90 Grad Winkel aus.
2. Verwenden Sie den 3 mm-Inbusschraubenschlüssel um die Schraube durch wenige Umdrehungen zu lösen und das Sägeblatt so zu bewegen, dass ein 90 Grad Winkel zwischen Sägeblatt und Tisch entsteht. Dann ziehen Sie die Schraube an.
3. Lösen Sie die Schrauben für die Winkelanzeige und setzen Sie die Anzeige auf 90 Grad. Ziehen Sie dann die Anzeigeschrauben an.
4. Lösen Sie das Handrad für die Schrägstellung und setzen Sie das Sägeblatt in einen 45 Grad-Winkel. Lösen Sie anschließend die Anzeigeschrauben und setzen Sie die Anzeige auf 40 Grad. Ziehen Sie dann die Anzeigeschrauben an.

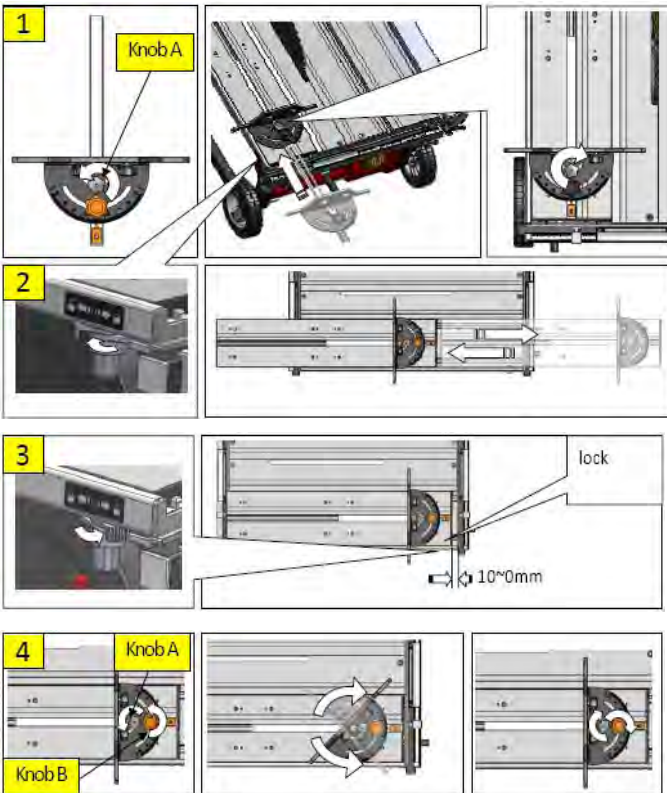




F Fonctionnement : Réglage des butées fixes à 90 et 45 degrés

1. Desserrez le volant d'ajustement d'angle et réglez la lame de sorte qu'elle s'aligne sur l'angle de 90 degrés.
2. A l'aide de la clé de 3 mm, desserrez de quelques tours la vis et redressez la lame jusqu'à ce qu'elle forme un angle de 90 degrés par rapport à la table, puis resserrez la vis
3. Desserrez les vis de l'indicateur d'angle et réglez l'indicateur sur 90 degrés puis resserrez les vis
4. Desserrez le volant d'ajustement d'angle et réglez la lame à 45 degrés. Puis, desserrez les vis de l'indicateur et réglez l'indicateur sur 45 degrés puis resserrez les vis





E Operation: To use sliding table

1. Loosen Knob A & slide the miter gauge into the rail of sliding table (make sure miter gauge does not exceed the rail range), then tighten Knob A
2. Turn on lock and set the sliding table to demanded position
3. Use the lock to secure the sliding table
4. Loosen Knob A&B and set the miter gauge to demanded degree & position, then tighten 2 knobs

D Bedienung: Verwendung des Schiebetischs

1. Lösen Sie und schieben Sie das Gehrungsmaß in die Schiene des Schiebetischs (vergewissern Sie sich dabei, dass das Gehrungsmaß nicht über die Spanne der Schiene herausragt), ziehen Sie dann Griff A an.
2. Lösen Sie die Tischsicherung und stellen Sie den Schiebetisch in die gewünschte Position.
3. Sichern Sie den Schiebetisch unter Verwendung der Tischsicherung.
4. Lösen Sie die Knöpfe A und B und stellen Sie das Gehrungsmaß auf den gewünschten Winkel und die Position ein, stellen Sie anschließend die beiden Knöpfe wieder an.

F Fonctionnement : Utilisation du plateau de glisse

1. Desserrez la molette A & faites glisser le guide de coupe angulaire dans le rail du plateau de glisse (assurez-vous que le guide ne déraille pas), puis resserrez la molette A.
2. Verrouillez puis placez le plateau de glisse selon la position souhaitée.
3. Utilisez le verrou pour sécuriser le plateau de glisse.
4. Desserrez les molettes A & B et réglez le guide de coupe angulaire selon l'inclinaison et la position souhaitées puis resserrez les molettes.





E Operation: To use sliding table

5. Loosen Knob A and you may move the miter gauge from left rail to right rail

D Bedienung: Verwendung des Schiebetischs

5. Lösen Sie Griff A, damit Sie das Gehrungsmaß von der linken zur rechten Schiene bewegen können.

F Fonctionnement : Utilisation du plateau de glisse

5. Desserrez la molette A ; vous pouvez alors déplacer le guide de coupe angulaire du rail gauche au rail droit

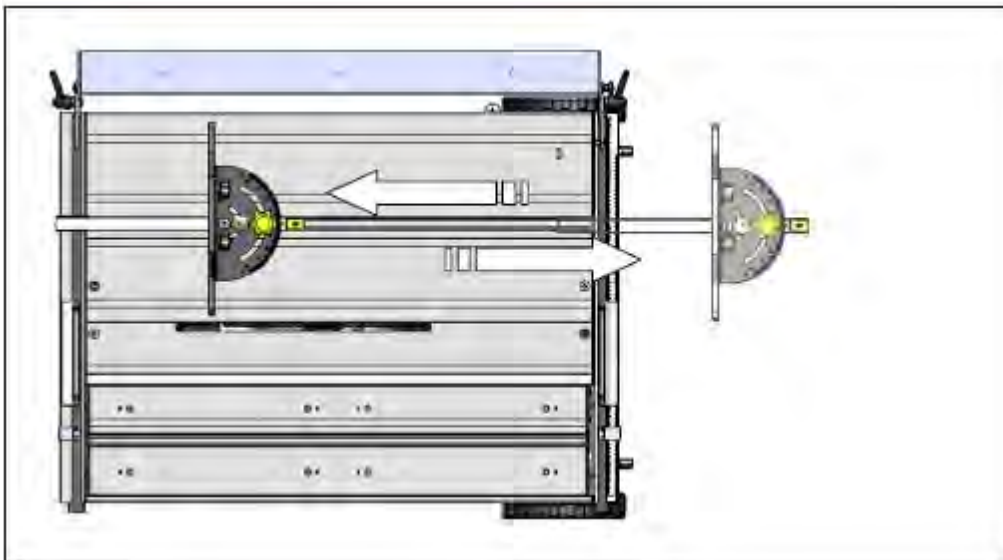
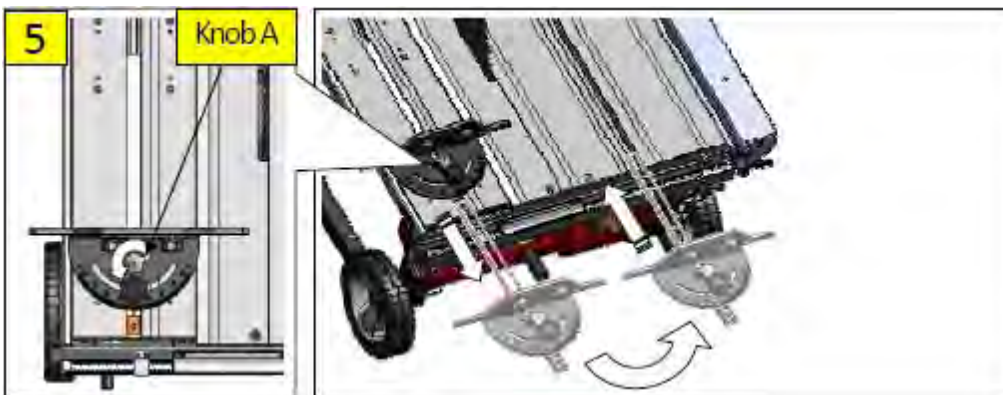
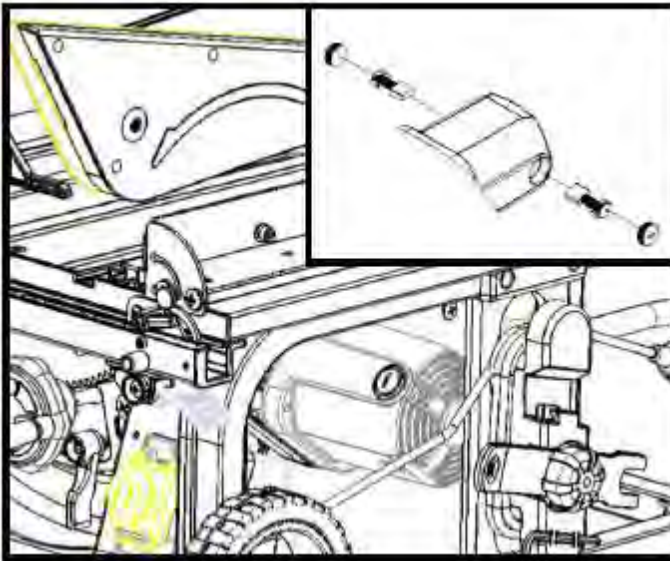


FIG.B



E Operation: To change carbon brush

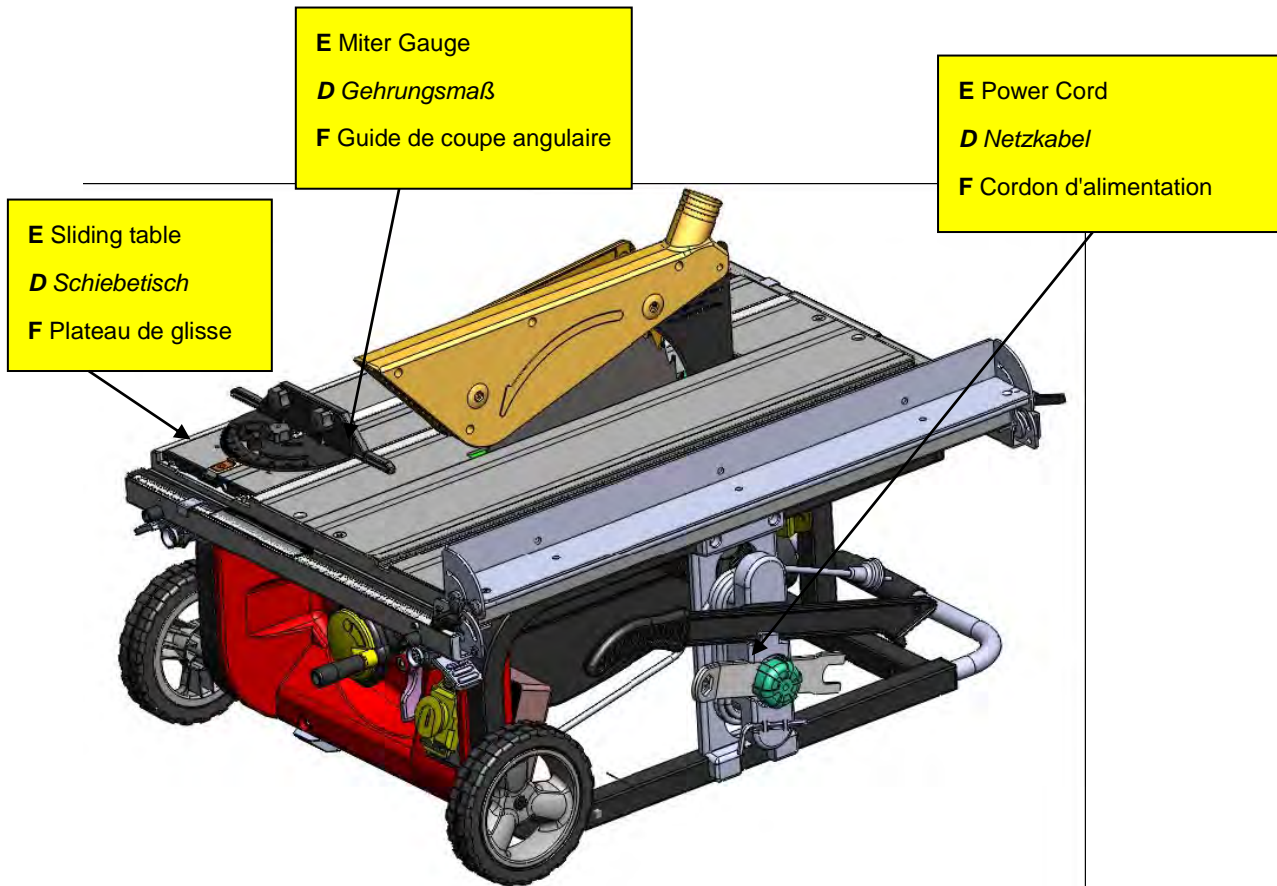
1. Lower the saw blade to bottom position
2. Loosen carbon brush cap and replace carbon brush, then tighten the cap back

D Bedienung: Auswechseln der Kohlebürste

1. Senken Sie das Sägeblatt auf die unterste Position.
2. Lösen Sie den Deckel der Kohlebürste und ersetzen Sie die Kohlebürste. Setzen Sie anschließend den Deckel wieder auf.

F Fonctionnement : Changement de la brosse charbone

1. Abaissez la lame.
 2. Desserrez le couvercle de la brosse charbone.
- Remplacez-la puis resserrez le couvercle



E Operation: To move the machine(A)

- a. See step 3 from "Operation: To use sliding table"
- b. See step 1 from "Operation: To use sliding table"
- c. Wind the power cord on power wire housing
- d. Secure the accessories on power wire housing

D Bedienung: Transport des Geräts (A)

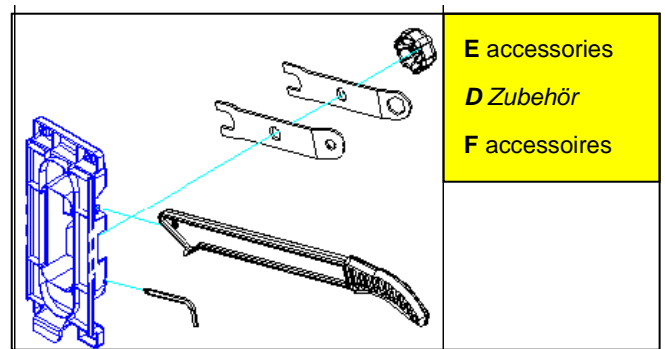
- a. Siehe Punkt 3 in „Bedienung: Verwendung des Schiebetischs“.
- b. Siehe Punkt 1 in „Bedienung: Verwendung des Schiebetischs“.

c. Wickeln Sie das Netzkabel im Gehäuse auf.

d. Befestigen Sie das Zubehör auf dem Gehäuse des Netzkabels.

F Transport

- a. Reportez-vous à l'étape 3 du point "Fonctionnement : Utilisation du plateau de glisse"
- b. Reportez-vous à l'étape 1 du point "Fonctionnement : Utilisation du plateau de glisse"
- c. Enroulez le cordon d'alimentation autour de l'enrouleur
- d. Disposez les accessoires sur l'enrouleur



E Operation: To move the machine (B)

e. Pull the handle to positive position and you may move the machine by pulling and wheeling

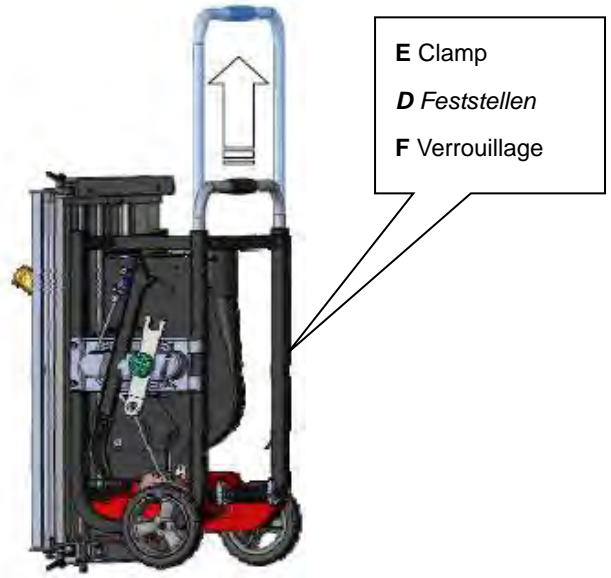
D Bedienung: Transport des Geräts (B)

e. Ziehen Sie an dem Griff, bis er einrastet. Sie können das Gerät dann ziehend auf Rädern bewegen.

F Fonctionnement : Déplacement de la machine

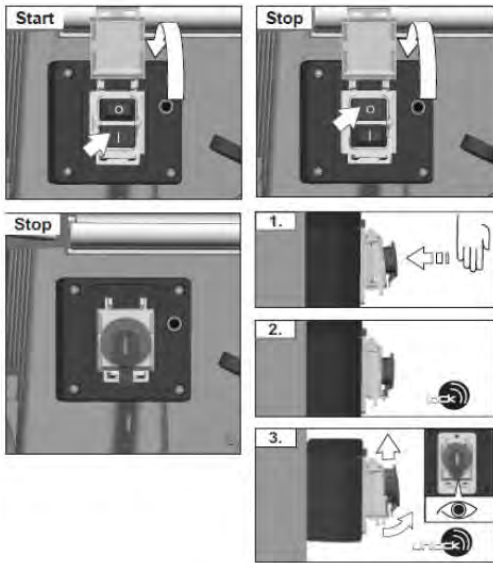
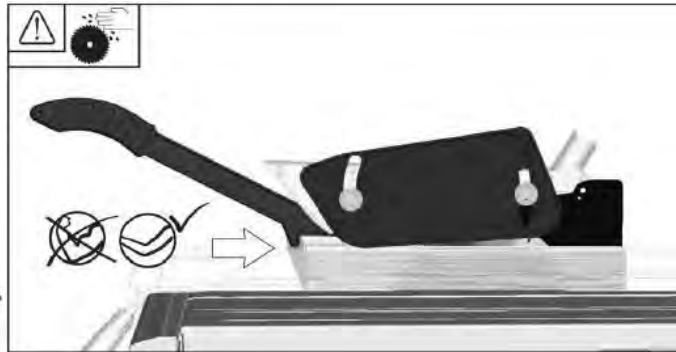
(B)

e. Tirez la poignée vers le haut ; déplacez en tirant et en faisant rouler la machine

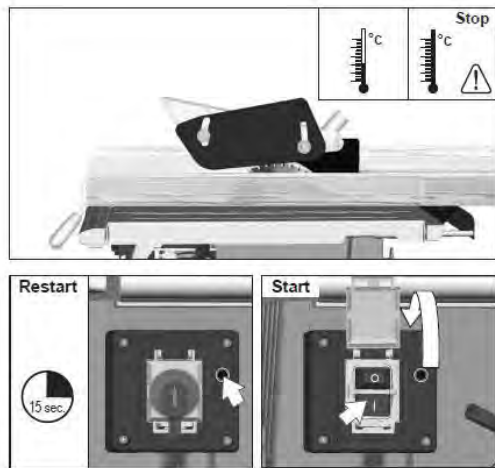


LÉGER & PORTATIF

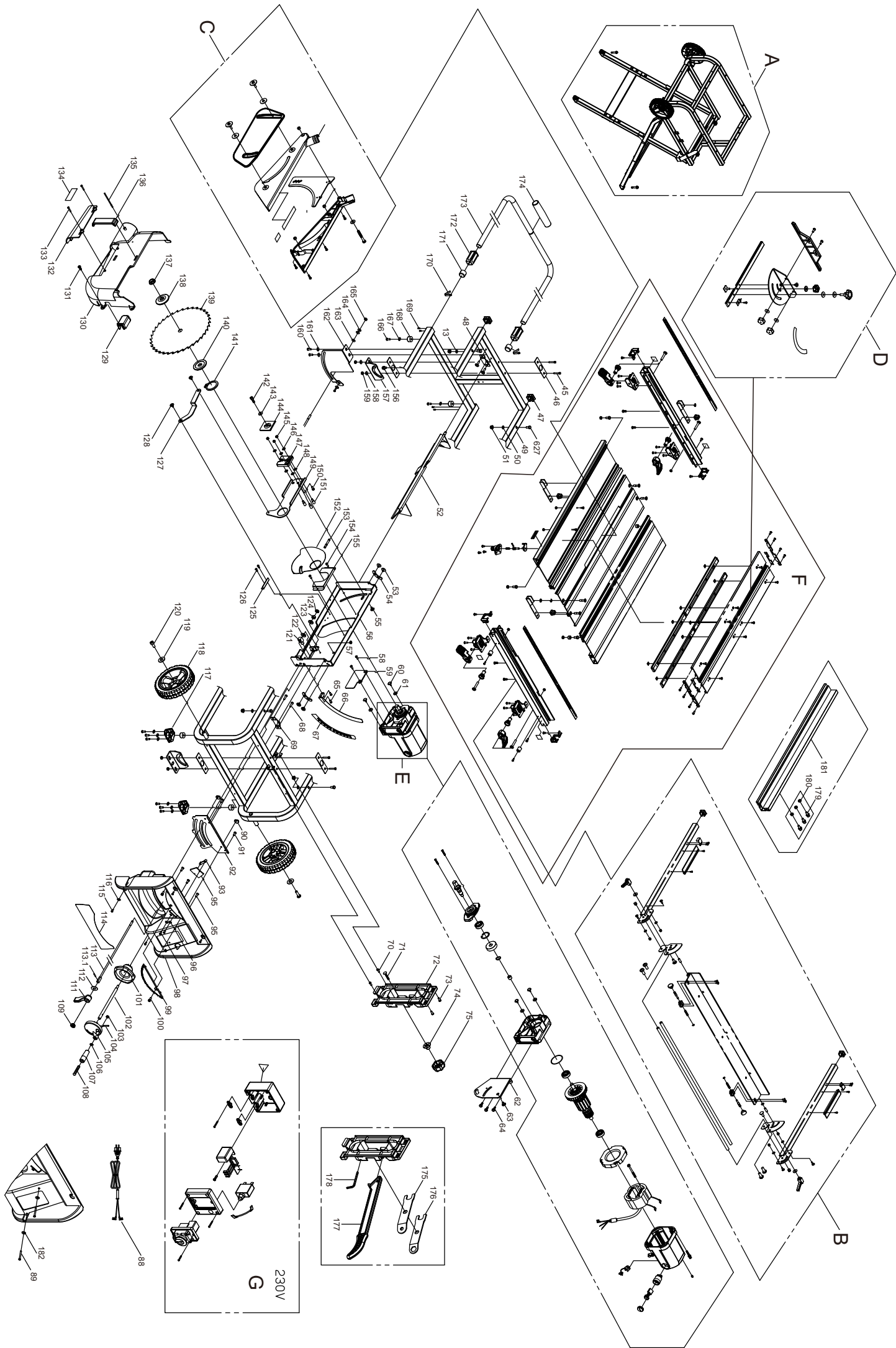




START
STOP



RESTART



Ersatzteilliste / Liste de pièces détachés

45	PM-254045	Schraube / Vis
46	PM-254046	Platte / Plate
47	PM-254047	Deckel / Couvercle
48	PM-254048	Schraube / Vis
49	PM-254049	Rahmen / Carde
50	PM-254050	Scheibe / Rondelle
51	PM-254051	Mutter / Ecrou
52	PM-254052	Gehäuse / Carcasse
53	PM-254053	Schraube / Vis
54	PM-254054	Platte / Plate
55	PM-254055	Schraube / Vis
56	PM-254056	Platte / Plate
57	PM-254057	Klemme / Support
58	PM-254058	Schraube / Vis
59	PM-254059	Platte / Plate
60	PM-254060	Block / Bloc
61	PM-254061	Fuss / Pied PU
62	PM-254062	Motor halter / Support moteur
63	PM-254063	Schraube / Vis
64	PM-254064	Schraube / Vis
65	PM-254065	Schraube / Vis
66	PM-254066	Platte / Plate
67	PM-254067	Skala / Scale
68	PM-254068	Schraube / Vis
69	PM-254069	Platte / Plate
70	PM-254070	Schraube / Vis
71	PM-254071	Schraube / Vis
72	PM-254072	Gehäuse / Carcasse
73	PM-254073	Schraube / Vis
74	PM-254074	Ring / Rondelle
75	PM-254075	Griff / Poignée
76	PM-254076	Schild / Etiquette
88	200032	Netzkabel / Câble
89	PM-254089	Schraube / Vis
90	PM-254090	Nocken / Cam
91	PM-254091	Schraube / Vis
92	PM-254092	Platte / Plate
93	PM-254093	Platte / Plate
94	PM-254094	Pfeil / Flèche
95	PM-254095	Schraube / Vis
96	PM-254096	Scheibe / Rondelle
97	PM-254097	Schraube / Vis
98	PM-254098	Abdeckung / Couvercle
99	PM-254099	Platte / Plate
100	PM-254100	Griff / Poignée
101	PM-254101	Drehrad / Manivelle
102	PM-254102	Schraube / Vis
103	PM-254103	Mutter / Ecrou
104	PM-254104	Feder / Ressort
105	PM-254105	Deckel / Couvercle
106	PM-254106	Scheibe / Rondelle
107	PM-254107	Griff / Poignée
108	PM-254108	Schraube / Vis
109	PM-254109	Mutter / Ecrou
111	PM-254111	Griff / Poignée
112	PM-254112	Scheibe / Rondelle

113	PM-254113	Gestänge / Lien
114	PM-254114	Schild / Etiquette
115	PM-254115	Kopf / Tête
116	PM-254116	Scheibe / Rondelle
117	PM-254117	Fuss / Pied
118	PM-254118	Handrad / Manivelle
119	PM-254119	Scheibe / Rondelle
120	PM-254120	Schraube / Vis
121	PM-254121	Block / Bloc
122	PM-254122	Scheibe / Rondelle
123	PM-254123	Mutter / Ecrou
124	PM-254124	Mutter / Ecrou
125	PM-254125	Platte / Plate
126	PM-254126	Schraube / Vis
127	PM-254127	Gestänge / Lien
128	PM-254128	Schraube / Vis
129	PM-254129	Abdeckung / Couvercle
130	PM-254130	Blattschutz / Protection lame
131	PM-254131	Schraube / Vis
132	PM-254132	Abdeckung / Couvercle
133	PM-254133	Schraube / Vis
134	PM-254134	Schild / Etiquette
135	PM-254135	Stift / Goupille
136	PM-254136	Abdeckung / Couvercle
137	PM-254137	Blattmutter / Ecrou lame
138	PM-254138	Blattflansch / Flasque lame
139	PM-254139	HM-Blatt 254x30mm, Z40 / Lame carbure 254x30mm, D40
140	PM-254140	Blattflansch / Flasque lame
141	PM-254141	Sicherungsring / Circlip
142	PM-254142	Schraube / Vis
143	PM-254143	Scheibe / Rondelle
144	PM-254144	Platte / Plate
145	PM-254145	Mutter / Ecrou
146	PM-254146	Scheibe / Rondelle
147	PM-254147	Platte / Plate
148	PM-254148	Scheibe / Rondelle
149	PM-254149	Halter / Support
150	PM-254150	Schraube / Vis
151	PM-254151	Schraube / Vis
152	PM-254152	Platte / Plate
153	PM-254153	Feder / Ressort
154	PM-254154	Schraube / Vis
155	PM-254155	Platte / Plate
156	PM-254156	Rolle / Rôle
157	PM-254157	Einlage / Insert
158	PM-254158	Scheibe / Rondelle
159	PM-254159	Mutter / Ecrou
160	PM-254160	Schraube / Vis
161	PM-254161	Scheibe / Rondelle
162	PM-254162	Platte / Plate
163	PM-254163	Scheibe / Rondelle
164	PM-254164	Scheibe / Rondelle
165	PM-254165	Mutter / Ecrou
166	PM-254166	Schraube / Vis
167	PM-254167	Schraube / Vis

Ersatzteilliste / Liste de pièces détachés

168	PM-254168	fuss / Pièd
169	PM-254169	Schraube / Vis
170	PM-254170	Griff / Poignée JTS-254-M
171	PM-254171	Hebel / Poignée
172	PM-254172	Rohr / Tube
173	PM-254173	Rahmen / Carde
174	PM-254174	Griff / Poignée
175	PM-254175	Blattschlüssel / Clé lame
176	PM-254176	Blattschlüssel / Clé lame
177	PM-254177	Stossstock / Poignée pour guide
178	PM-254178	Schlüssel / Clé
179	PM-254179	Schraube / Vis
180	PM-254180	Mutter / Ecrou
181	PM-254181	Schiene / Rallonge
182	PM-254182	Scheibe / Rondelle
A	2279	Maschinenstand / Socle (Option)
B	PM-254201	Anschlag komplett / Garniture de table complète (B)
C	PM-254203	Blattschutz komplett / Protection lame complète (C)
D	PM-254204	Gehrungsanschlag komplett / Guide complète (D)
E	PM-254205	Motor komplett / Moteur complète (E)
F	PM-254202	Tischverbreiterung komplett / Rallonge de la table complète (F)
G	PM-254206	Schalter komplett / Interrupteur complète (G)
518	PM-254205-518	Kohlenbürste / Charbon
519	PM-254205-519	Kohlendeckel / Couvercle charbon



Garantie

Wir gewähren Ihnen auf den unten eingetragenen Artikeln Garantie auf die Dauer von 24 Monaten ab Laufdatum. Einzige Voraussetzung: dieses ausgefüllte persönliche Garantie-Zertifikat muss der zur Reparatur eingesandten Maschine beigelegt sein.

Par ce document nous nous engageons à réparer l'article mentionné ci-dessous en garantie pendant une période de 24 mois à partir de la date d'achat. Cette garantie ne sera pas honorée si ce certificat dûment complété n'est pas renvoyé avec la machine en question pour toute réparation.

Modell / Modèle

Namen und Anschrift des Käufers / Nom et adresse de l'acheteur

Serie-Nr. / N° de série

Kaufdatum / Date de l'achat

Händler-Stempel

Cachet du revendeur