



**GH-1440K
GH-1440K DRO**

METAL LATHE

**50000916T/50000917T
400/50/3**

PARTS LIST



JPW Tool Group Hong Kong Limited

98 Granville Road, Tsimshatsui East, Kowloon, Hong Kong, PRC

www.jettools.com

Импортер в РФ: ООО «ИТА Технолоджи»

105082, Москва, Переведеновский пер., д. 17

www.jettools.ru

Made in PRC / Сделано в КНР

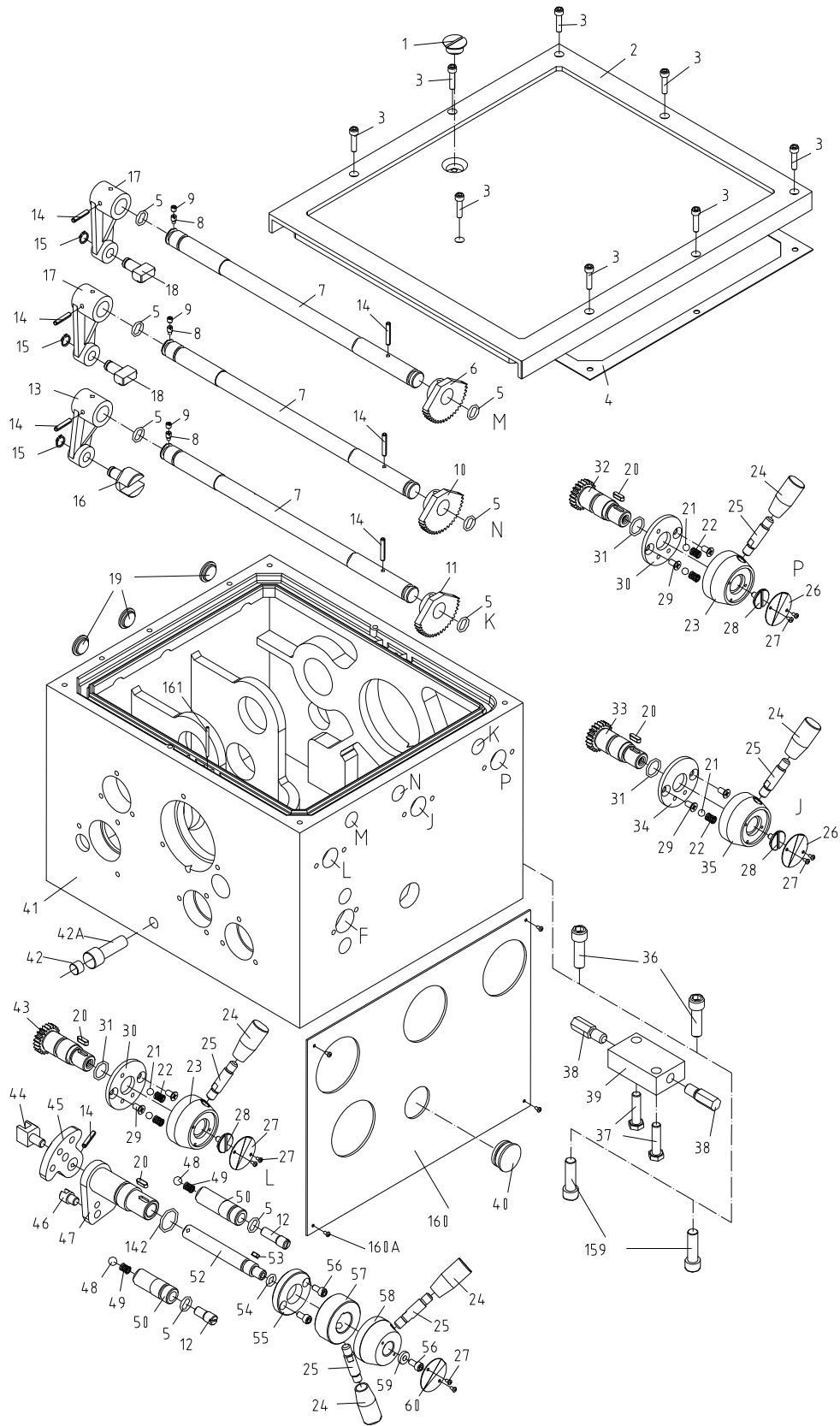
P-50000916T_50000917T

2022-09

Table of Contents

| | |
|--------------------------------------|-------|
| Table of Contents..... | 1 |
| Headstock Assembly I | 2-4 |
| Headstock Assembly II | 5-6 |
| Headstock Assembly III | 7-8 |
| Gearbox Assembly I..... | 9-11 |
| Gearbox Assembly II..... | 12-14 |
| Apron Assembly I..... | 15-16 |
| Apron Assembly II | 17-18 |
| Saddle and Cross Slide Assembly..... | 19-21 |
| Top Slide and Tool Post..... | 22-23 |
| Tailstock Assembly | 24-25 |
| Bed and Shaft Assembly..... | 26-28 |
| Stand and Brake Assembly..... | 29-30 |
| End Gear Assembly | 31-32 |
| Follow Rest | 33 |
| Thread Dial Assembly..... | 34 |
| Steady Rest..... | 35-36 |
| Coolant and Work Light Assembly..... | 37 |
| Chuck Guard Assembly | 38 |
| Lead Screw Cover Assembly..... | 39 |
| Tool Post Guard..... | 40 |
| Accessories I | 41-42 |
| Accessories II..... | 43 |
| Electrical Components | 44 |
| Wiring Diagram | 45 |

Headstock Assembly I

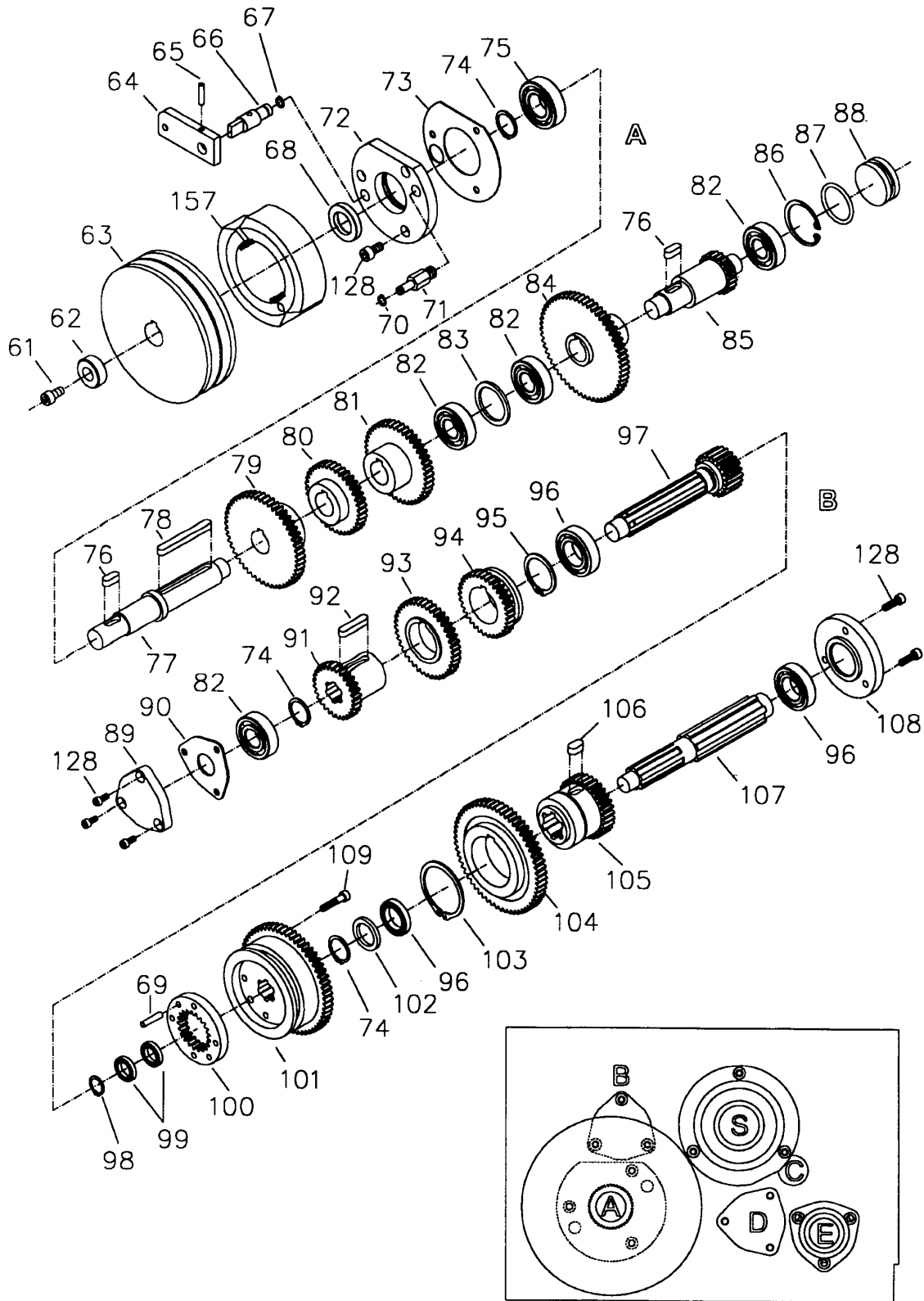


Headstock Assembly I

| Index No. | Part No. | Description | Size | Quantity |
|-----------|-----------------------|----------------------|-----------|----------|
| 1 | C6136-02755 | Plug | | 1 |
| 2 | GH1440K-02119 | Headstock Cover | | 1 |
| 3 | TS-1503081 | Hex Socket Cap Screw | M6x25 | 8 |
| 4 | GH1440K-02509 | Gasket | | 1 |
| 5 | GB3452.1-14x2.65 | O-Ring | 14x2.65 | 8 |
| 6 | GH1440-04-38 | Gear | 38T | 1 |
| 7 | GH1440K-02749 | Shaft | | 3 |
| 8 | TS-1523031 | Set Screw | M6x10 | 3 |
| 9 | TS-1523011 | Set Screw | M6x6 | 3 |
| 10 | GH1440-04-37 | Gear | 48T | 1 |
| 11 | GH1440-04-36 | Gear | 43T | 1 |
| 12 | GH1440K-02754 | Set Screw | | 1 |
| 13 | GH1440-04-43 | Shift Arm | | 1 |
| 14 | GB879-86-5x30 | Spring Pin | 5x30 | 7 |
| 15 | GB894.2-86-12 | Retainer Ring | 12 | 3 |
| 16 | GH1440-04-45 | Shift Fork | | 1 |
| 17 | GH1440-04-35 | Shift Arm | | 2 |
| 18 | GH1440-04-44 | Gear Shifter | | 2 |
| 19 | GH1440K-02748A | Plug | | 3 |
| 20 | GB1096-79-5x16 | Key | 5x16 | 4 |
| 21 | GB308-84-Ø8 | Steel Ball | 8 | 5 |
| 22 | C6240-20018-0.9x8x26 | Spring | 0.9x8x26 | 5 |
| 23 | GH1440-04-49 | Handle Body | | 2 |
| 24 | GB4141.14-BM10x50 | Knob | BM10x50 | 5 |
| 25 | GH1440-04-34 | Handle Lever | | 5 |
| 26 | GH1440K-02303 | Lever Name Plate | | 4 |
| 27 | GB818- M3x5 | Pan Head Screw | M3x5 | 4 |
| 28 | GH1440K-02752 | Screw | | 3 |
| 29 | TS-1503031 | Screw | M6x12 | 6 |
| 30 | GH1440-04-50 | Position Plate | | 2 |
| 31 | GB3452.9-86-19x2.65 | O-Ring | 19x2.65 | 3 |
| 32 | GH1440-04-40 | Gear Shaft | 22T | 1 |
| 33 | GH1440-04-42 | Gear Shaft | 17T | 1 |
| 34 | GH1440-04-51 | Position Plate | | 1 |
| 35 | GH1440-04-58 | Handle Body | | 1 |
| 36 | TS-1506041 | Hex Socket Cap Screw | M12x40 | 2 |
| 37 | TS-1491061 | Hex Bolt | M10x40 | 2 |
| 38 | GH1440K-04-62 | Alignment Bolt | | 2 |
| 39 | GH1440K-04-63 | Alignment Block | | 1 |
| 40 | GB1160.1-89-20 | Oil Sight Glass | 20 | 1 |
| 41 | GH1440K-02101 | Headstock Casting | | 1 |
| 42 | 05-75 | Drain Plug | Z 1/4 " | 1 |
| 42A | GHB-1340A-05724 | Oil Drain Pipe | | 1 |
| 43 | GH1440-04-39 | Gear Shaft | 27T | 1 |
| 44 | GH1440-04-47 | Shaft Fork | | 1 |
| 45 | GH1440-04-36 | Shifting Crank | | 1 |
| 46 | GH1440-04-71 | Shaft Fork | | 1 |
| 47 | GH1440K-02117 | Shifting Crank | | 1 |
| 48 | GB308-89-Ø10 | Steel Ball | 10 | 2 |
| 49 | GB2089-0.9x9x40 | Spring | 0.9x9x40 | 2 |
| 50 | GH1440K-02753 | Shaft | | 1 |
| 51 | GH1440K-02755 | Shaft | | 1 |
| 52 | GH1440K-02747 | Shaft | | 1 |
| 53 | GB1096-79-4x10 | Key | 4x10 | 1 |
| 54 | GB3452.9-86-10.6x2.65 | O-Ring | 10.6x2.65 | 1 |

| | | | |
|----------|--------------------------|--|---|
| 55..... | GH1440-04-55..... | Collar | 1 |
| 56..... | TS-1503031..... | Hex Socket Cap Screw M6x12 | 3 |
| 57..... | GH1440K-04-57 | Collar | 1 |
| 58..... | GH1440K-04-58 | Handle Body..... | 1 |
| 59..... | 04-62 | Washer | 1 |
| 60..... | GH1440K-02756 | Set Screw | 1 |
| 142..... | GB3452.9-82-25x2.65..... | O-Ring..... 25x2.65 | 3 |
| 159..... | TS-1506041..... | Hex Socket Cap Screw M12x35 | 2 |
| 160..... | GH1440K-02304-24 | Name Plate | 1 |
| 160A ... | GB70.2-M3x6..... | Hex Socket Button Head Screw..... M3x6 | 4 |
| 161..... | GH1440K-02760J..... | Copper Pipe Φ 6 | 1 |

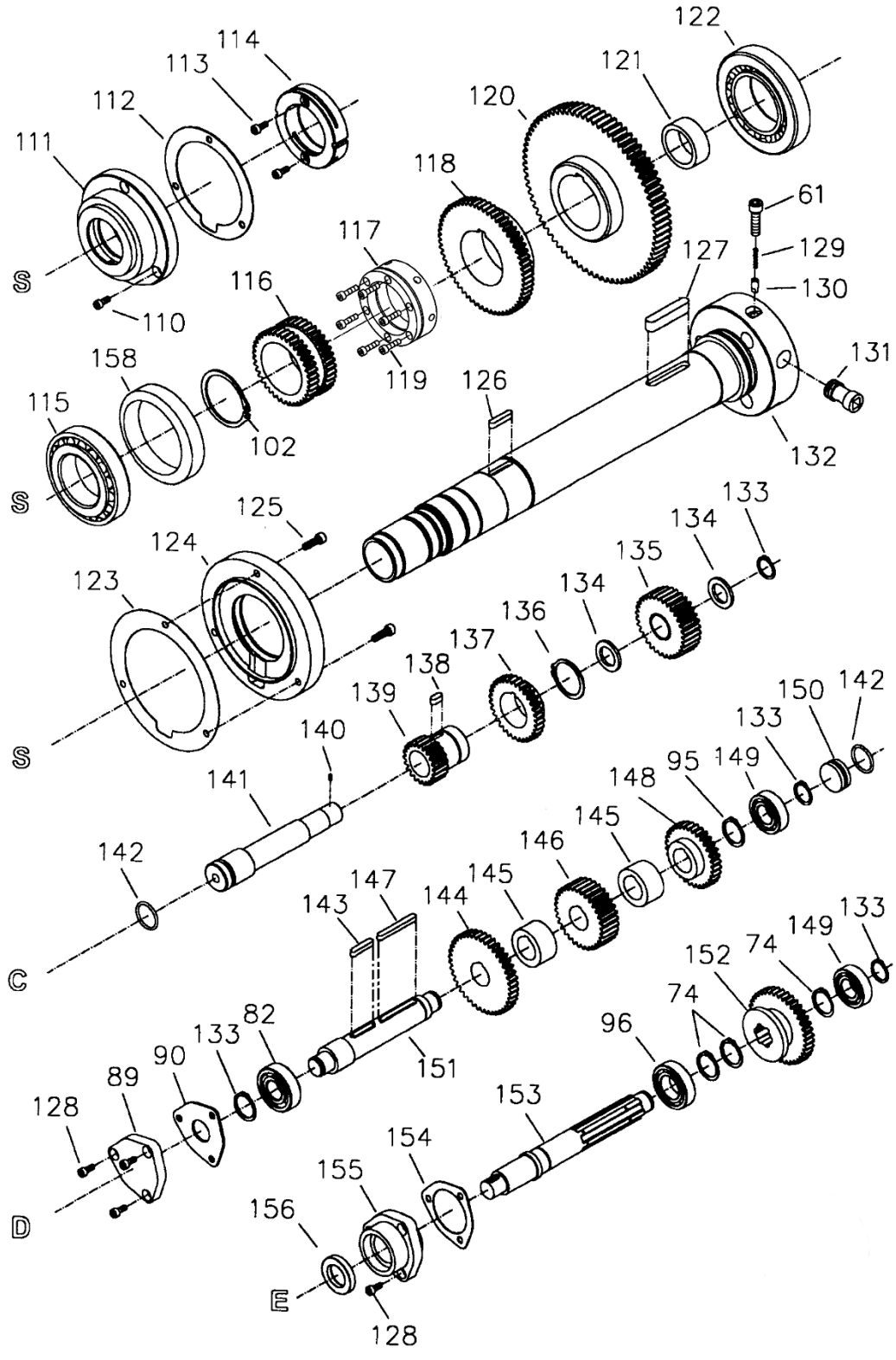
Headstock Assembly II



Headstock Assembly II

| Index No. | Part No. | Description | Size | Quantity |
|-----------|---------------|-------------------------|-----------|----------|
| 61 | TS-1504031 | Hex Socket Hd Cap Screw | M8x16 | 1 |
| 62 | 04-12 | Washer | | 1 |
| 63 | 04-11 | Pulley | | 1 |
| 64 | GH1440K-02722 | Brake Block | | 1 |
| 65 | 5625391 | Spring Pin | 5x16 mm | 1 |
| 66 | 11-09 | Brake Actuator Shaft | | 1 |
| 67 | F006041 | C-Retaining Ring, Ext | 12 mm | 1 |
| 68 | GH1440K-H68 | Spacer | SD25x45x7 | 1 |
| 69 | GHW-H69 | Taper Pin | A6x26 mm | 2 |
| 70 | F006039 | C-Retaining Ring, Ext | 8 mm | 1 |
| 71 | 11-11 | Brake Retaining Stud | | 1 |
| 72 | 04-13 | Cover | | 1 |
| 73 | 04-14 | Gasket | | 1 |
| 74 | F006050 | C-Retaining Ring, Ext | 25 mm | 6 |
| 75 | BB-6205 | Ball Bearing | 6205/p5 | 1 |
| 76 | AK052 | Key, Dbl Rd Hd | 8x20 mm | 2 |
| 77 | GH1440K-02718 | Shaft | | 1 |
| 78 | GHW-H78 | Key | 8x72 mm | 1 |
| 79 | GH1440-04-04 | Gear | 50T | 1 |
| 80 | GH1440-04-05 | Gear | 37T | 1 |
| 81 | GH1440-04-06 | Gear | 43T | 1 |
| 82 | BB-6204 | Ball Bearing | 6204/p5 | 5 |
| 83 | GH1440-04-17 | Washer | | 1 |
| 84 | GH1440-04-12 | Gear | 57T | 1 |
| 85 | GH1440-04-11 | Gear Shaft | 20T | 1 |
| 86 | F006075 | C-Retaining Ring, Int | 47 mm | 1 |
| 87 | GH1440K-287 | O-Ring | 40x2.65 | 1 |
| 88 | GH1440K-02106 | Plug | | 1 |
| 89 | 04-53 | Bearing Cap | | 2 |
| 90 | 04-52 | Gasket | | 2 |
| 91 | GH1440-04-08 | Gear | 28T | 1 |
| 92 | GHW-H92 | Key, Dbl Rd Hd | 8x38 mm | 1 |
| 93 | GH1440-04-09 | Gear | 41T | 1 |
| 94 | GH1440-04-10 | Gear | 34T | 1 |
| 95 | F006055 | C-Retaining Ring, Ext | 40 mm | 1 |
| 96 | BB-6005 | Ball Bearing | 6005/p5 | 4 |
| 97 | GH1440K-02724 | Gear Shaft | 21T | 1 |
| 98 | F006045 | C-Retaining Ring, Ext | 17 mm | 1 |
| 99 | BB-61803 | Ball Bearing | 61803/p5 | 2 |
| 100 | GH1440-04-15 | Gear | 21T | 1 |
| 101 | GH1440-04-14 | Gear | 58T | 1 |
| 102 | GH1440K-02709 | Washer | | 1 |
| 103 | F006082 | C-Retaining Ring, Ext | 55 mm | 1 |
| 104 | GH1440-04-19 | Gear | 59T | 1 |
| 105 | GH1440-04-18 | Gear | 31T | 1 |
| 106 | GB1096-10x18 | Key, Dbl Rd Hd | 10x18 mm | 1 |
| 107 | GH1440-04-13 | Spline Shaft | | 1 |
| 108 | GH1440-04-24 | Cover | | 1 |
| 109 | TS-1503081 | Hex Socket Hd Cap Screw | M6x35 | 4 |
| 128 | JHM610-22 | Hex Socket Hd Cap Screw | M6x14 | 9 |
| 157 | 11-15 | Brake Shoe Assembly | | 1 |
| | GH1440K01106J | Triangular Belt | A1880 | 2 |

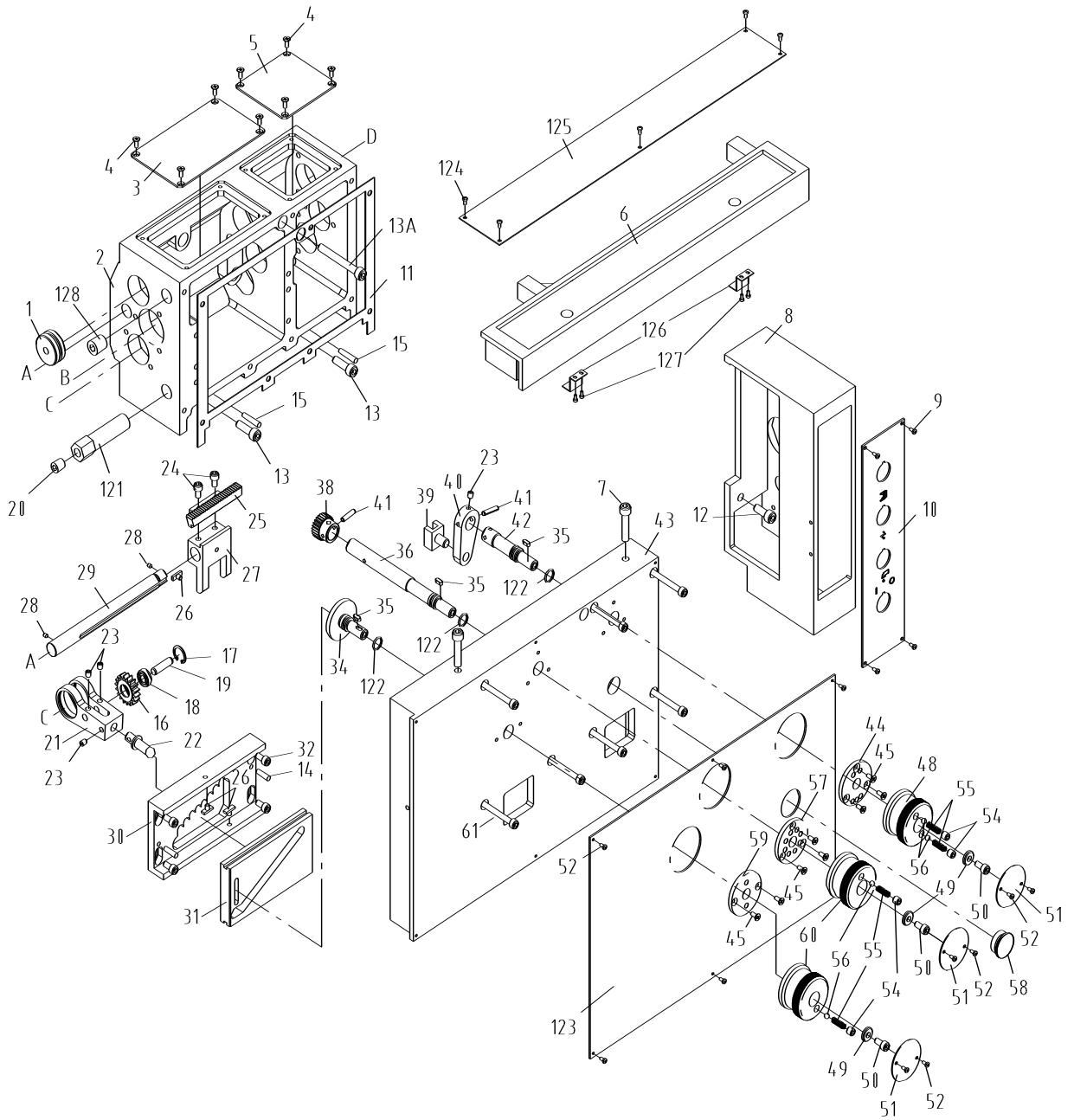
Headstock Assembly III



Headstock Assembly III

| Index No. | Part No. | Description | Size | Quantity |
|-----------|---------------|-------------------------|-----------|----------|
| 56 | TS-1503031 | Hex Socket Hd Cap Screw | M6x12 | 18 |
| 61 | TS-1504031 | Hex Socket Hd Cap Screw | M8x16 | 3 |
| 74 | F006050 | C-Retaining Ring, Ext | 25 mm | 6 |
| 82 | BB-6204 | Ball Bearing | 6204/p5 | 5 |
| 89 | 04-53 | Bearing Cap | | 2 |
| 90 | 04-52 | Bearing Cap Gasket | | 2 |
| 95 | F006055 | C-Retaining Ring, Ext | 40 mm | 1 |
| 96 | BB-6005 | Ball Bearing | 6005/p5 | 4 |
| 102 | GB894.1-55 | Retainer Ring | 55 | 1 |
| 110 | TS-1503041 | Hex Socket Hd Cap Screw | M6x16 | 3 |
| 111 | GH1440-04-29 | Cover | | 1 |
| 112 | 04-60 | Gasket | | 1 |
| 113 | TS-1502031 | Hex Socket Hd Cap Screw | M5x12 | 2 |
| 114 | GH1440-04-31 | Nut | | 1 |
| 115 | BB-32011 | Tapered Roller Bearing | 32011/p5 | 1 |
| 116 | GH1440-04-30 | Gear | 38T | 1 |
| 117 | CK6125-02713 | Lock Collar | | 1 |
| 118 | GH1440-04-21 | Gear | 59T | 1 |
| 119 | TS-1502051 | Hex Socket Hd Cap Screw | M5x20 | 6 |
| 120 | GH1440-04-23 | Gear | 87T | 1 |
| 121 | GH1440-04-25 | Collar | | 1 |
| 122 | BB-30212 | Tapered Roller Bearing | 30212/p5 | 1 |
| 123 | GH1440-04-32 | Gasket | | 1 |
| 124 | GH1440-04-28 | Cover | | 1 |
| 125 | TS-1503061 | Hex Socket Hd Cap Screw | M6x25 | 3 |
| 126 | 5509094 | Key, Dbl Rd Hd | 6x30 mm | 1 |
| 127 | GHW-H127 | Key, Dbl Rd Hd | 10x55 mm | 1 |
| 128 | JHM610-22 | Hex Socket Hd Cap Screw | M6x14 | 6 |
| 129 | 04-31/1 | Spring | | 3 |
| 130 | 04-86 | Camlock Set Pin | | 3 |
| 131 | 04-85 | Camlock | | 3 |
| 132 | GH1440K-02701 | Spindle | | 1 |
| 133 | F006047 | C-Retaining Ring, Ext | 20 mm | 4 |
| 134 | 04-36 | Washer | | 2 |
| 135 | 04-35 | Gear Assembly | 32T | 1 |
| 136 | F006083 | C-Retaining Ring, Ext | 37 mm | 1 |
| 137 | 04-54 | Gear | 32T | 1 |
| 138 | KF2R5516 | Key, Dbl Rd Hd | 5x16 mm | 1 |
| 139 | 04-55 | Gear Assembly | 32T | 1 |
| 140 | TS-1523041 | Socket Set Screw | M6x12 | 1 |
| 141 | 04-37 | Shaft | | 1 |
| 142 | GH1440K-342 | O-Ring | 25x2.65 | 3 |
| 143 | GHW-H126 | Key | 6x30 mm | 1 |
| 144 | GH1440K-02733 | Gear | 42T | 1 |
| 145 | GH1440K-02111 | Collar | | 2 |
| 146 | 04-44 | Gear | 32T | 1 |
| 147 | GH1440K-H147 | Key, Dbl Rd Hd | 6x55 mm | 1 |
| 148 | GH1440K-02736 | Gear | 32T | 1 |
| 149 | BB-6004 | Ball Bearing | 6004/p5 | 2 |
| 150 | GH1440K-02102 | Plug | | 1 |
| 151 | GH1440K-02732 | Shaft | | 1 |
| 152 | 04-43 | Gear | 38T | 1 |
| 153 | 04-42 | Spline Shaft | | 1 |
| 154 | 04-48 | Gasket | | 1 |
| 155 | 04-49 | Cover | | 1 |
| 156 | GH1440K-H156 | Spacer | SD25x40x7 | 1 |
| 158 | GH1440-04-65 | Collar | | 1 |

Gearbox Assembly I

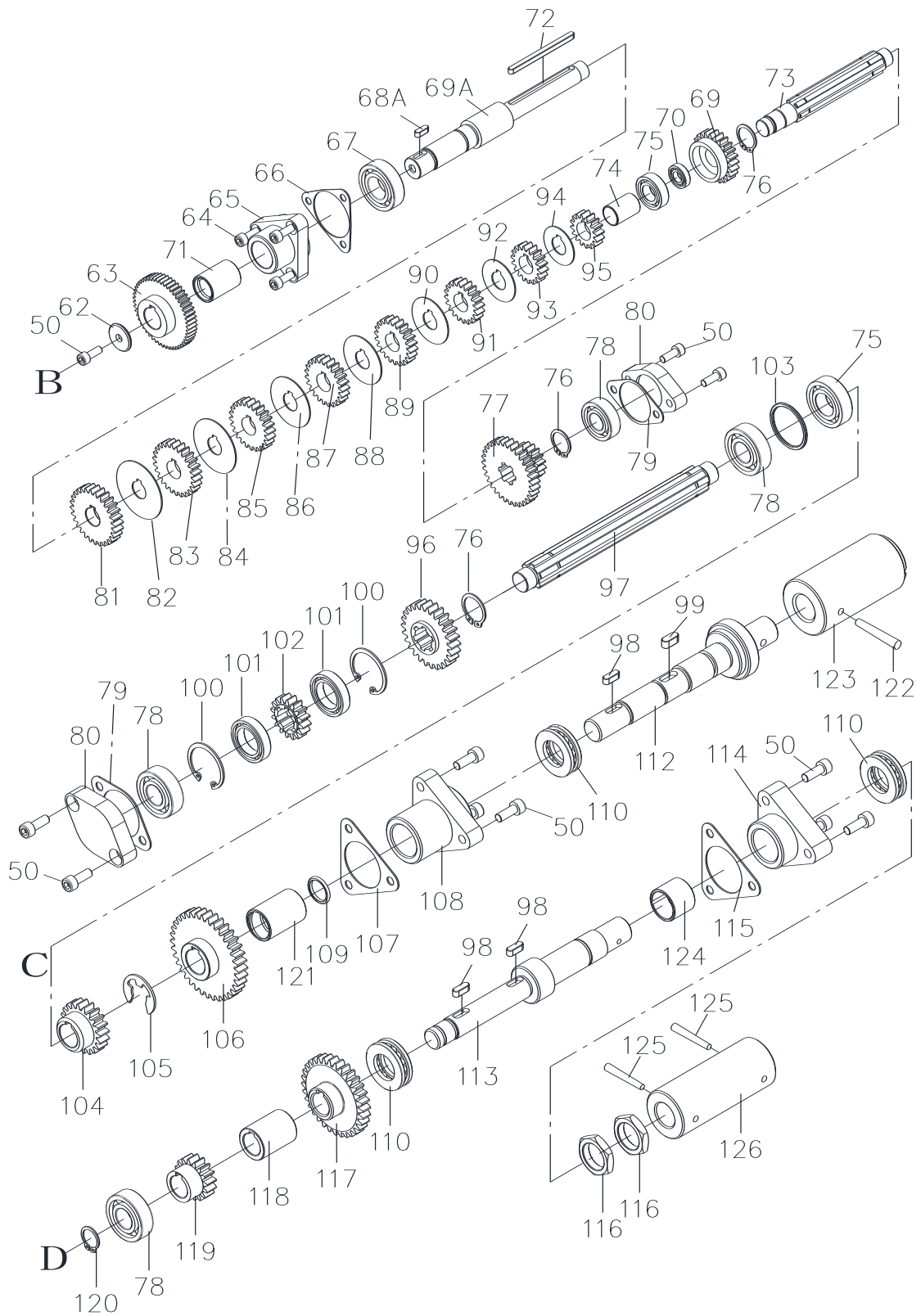


Gearbox Assembly I

| Index No. | Part No. | Description | Size | Quantity |
|-----------|----------------------|-----------------------------------|---------------|----------|
| 1..... | 05-73..... | Plug..... | | 1 |
| 2..... | GH1440K-05101..... | Gearbox Casting..... | | 1 |
| 3..... | 05-07..... | Front Cover..... | | 1 |
| 4..... | TS-1532031..... | Flat Head Machine Screw..... | M4x10..... | 8 |
| 5..... | GH1440A-05719..... | Oil Cover..... | | 1 |
| 6..... | GH1440K-05501..... | Cover..... | | 1 |
| 7..... | TS-1504071..... | Hex Socket Cap Screw..... | M8x35..... | 2 |
| 8..... | GH1440-05-09..... | Bracket..... | | 1 |
| 9..... | GB70.2-M3x6..... | Hex Socket Button Head Screw..... | M3x6..... | 4 |
| 10..... | GH1440K-18301-2..... | Electrical Plate..... | | 1 |
| 11..... | 05-61..... | Gasket..... | | 1 |
| 12..... | TS-1503041..... | Hex Socket Cap Screw..... | M8x40..... | 2 |
| 13..... | TS-1504051..... | Hex Socket Cap Screw..... | M8x25..... | 3 |
| 13A..... | GB70-M8x65..... | Hex Socket Cap Screw..... | M8x65..... | 1 |
| 14..... | GB117-85-5x20..... | Pin..... | 5x20..... | 2 |
| 15..... | GB117-85-5x28..... | Pin..... | 5x28..... | 2 |
| 16..... | 05-49..... | Gear..... | 16T..... | 1 |
| 17..... | GB893.1-86-19..... | Retainer Ring..... | 19..... | 1 |
| 18..... | GH1440K-G18..... | Bearing..... | 619/8/p5..... | 1 |
| 19..... | 05-51..... | Shaft..... | | 1 |
| 20..... | 05-75..... | Plug..... | | 2 |
| 21..... | 05-03..... | Shifter..... | | 1 |
| 22..... | 05-02..... | Shaft..... | | 1 |
| 23..... | TS-1523021..... | Set Screw..... | M6x8..... | 4 |
| 24..... | TS-1503051..... | Hex Socket Cap Screw..... | M6x20..... | 2 |
| 25..... | 05-13..... | Rack..... | | 1 |
| 26..... | 05-01..... | Shift Key..... | | 3 |
| 27..... | 05-12..... | Shift Fork..... | | 1 |
| 28..... | TS-1523021..... | Set Screw..... | M6x8..... | 2 |
| 29..... | 05-15..... | Shaft..... | | 1 |
| 30..... | 05-05..... | Locating Plate..... | | 1 |
| 31..... | 05-04..... | Control Plate..... | | 1 |
| 32..... | TS-1503031..... | Hex Socket Cap Screw..... | M6x12..... | 4 |
| 34..... | GH1440K-05701..... | Shift Hub..... | | 1 |
| 35..... | GB1096-79-4x10..... | Key..... | 4x10..... | 3 |
| 36..... | GH1440K-05702..... | Shaft..... | | 1 |
| 37..... | GB879-86-5x20..... | Pin..... | 5x20..... | 1 |
| 38..... | 05-14..... | Gear..... | 26T..... | 1 |
| 39..... | 05-55..... | Shift Fork..... | | 1 |
| 40..... | 05-56..... | Shift Arm..... | | 1 |
| 41..... | GB879-86-5x20..... | Pin..... | 5x20..... | 1 |
| 42..... | GH1440K-05703..... | Shaft..... | | 1 |
| 43..... | GH1440K-05102..... | Cover..... | | 1 |
| 44..... | 05-58..... | Locating Disk..... | | 1 |
| 45..... | GB819-85-M5x10..... | Flat Head Machine Screw..... | M5x10..... | 8 |
| 48..... | GH14440K-05724..... | Shift Hub..... | | 1 |
| 49..... | 05-08..... | Washer..... | | 3 |
| 50..... | TS-1503041..... | Hex Socket Cap Screw..... | M6x16..... | 4 |
| 51..... | GH1440K-05302..... | Lever Name Plate..... | | 3 |
| 52..... | GB70.2-M3x6..... | Hex Socket Button Head Screw..... | M3x6..... | 6 |
| 54..... | TS-1524011..... | Set Screw..... | M8x8..... | 4 |
| 55..... | 05-72..... | Spring..... | | 4 |
| 56..... | GB308-84-6.5..... | Steel Ball..... | 6.5..... | 4 |
| 57..... | 05-10..... | Locating Disk..... | | 1 |
| 58..... | GH1440-05-27..... | Oil Sight..... | | 1 |
| 59..... | 05-59..... | Locating Disk..... | | 1 |

| | | | |
|-----------|------------------------|--|---|
| 60..... | GH1440-05-13..... | Shift Hub | 2 |
| 61..... | TS-1503081..... | Hex Socket Cap Screw M6x35 | 7 |
| 121..... | GHB1340A-05724 | Oil Drain Pipe | 1 |
| 122..... | GH1440K-G122..... | Washer | 3 |
| 123 | GH1440K-05301-19 | Name Plate | 1 |
| 124..... | GB70.2-M3x6..... | Hex Socket Button Head Screw..... M3x6 | 5 |
| 125 | GH1440K-05303 | Speed Chart | 1 |
| 126..... | GH1440K-05732 | Support..... | 2 |
| 127..... | GB70-M4x8 | Hex Socket Cap Screw M4x8 | 4 |
| 128 | ZG3/8" | Drain Plug..... ZG3/8" | 1 |

Gearbox Assembly II

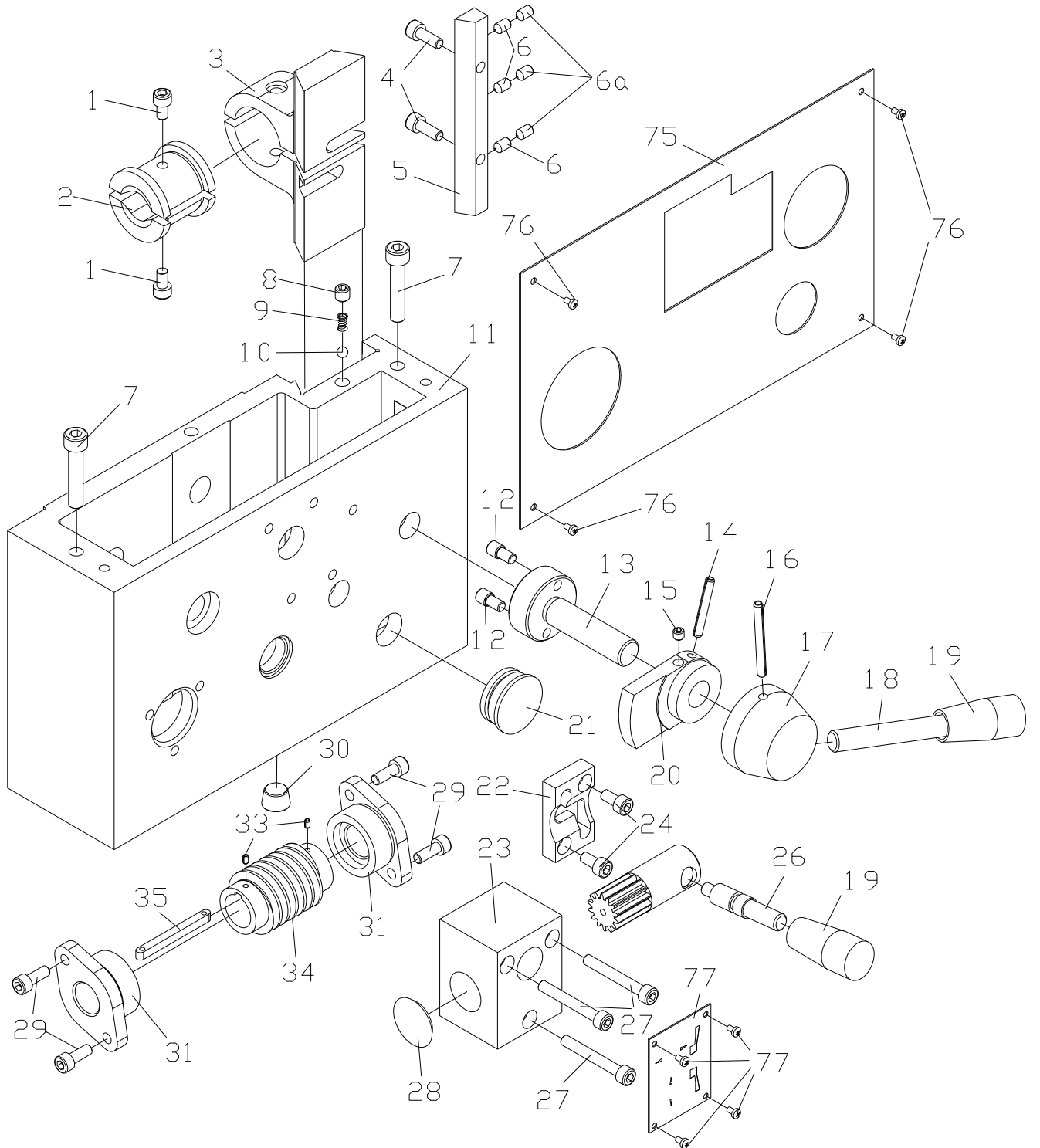


Gearbox Assembly II

| Index No. | Part No. | Description | Size | Quantity |
|-----------|--------------------------|----------------------------|----------------|----------|
| 50..... | TS-1503041..... | Hex Socket Cap Screw | M6x16 | 14 |
| 62..... | 05-42 | Washer | | 1 |
| 63..... | 05-41 | Gear | 60T | 1 |
| 64..... | TS-1503051..... | Hex Socket Cap Screw | M6x20 | 3 |
| 65..... | 05-39 | Flange | | 1 |
| 66..... | 05-38 | Gasket..... | | 1 |
| 67..... | BB-6004 | Ball Bearing | 6004/P5..... | 1 |
| 68A..... | GB1096-79-5x14..... | Key | | 1 |
| 69..... | 05-40 | Gear Shaft Assembly | | 1 |
| 69A..... | GH1340A-05725 | Shaft..... | | 1 |
| 70..... | BB16002..... | Ball Bearing | 16002/p5 | 1 |
| 71..... | 05-36 | Shaft Collar | | 1 |
| 72..... | GB1096-79-5x75..... | Key | 5x75 | 1 |
| 73..... | GH1440A-05733A..... | Shaft..... | | 1 |
| 74..... | GH1340A-05728A..... | Shaft Collar | | 1 |
| 75..... | BB-6002 | Ball Bearing | | 1 |
| 76..... | GB894.1-86-20..... | Retainer Ring | 20 | 3 |
| 77..... | 05-21 | Gear | 16T/32T..... | 1 |
| 78..... | BB-6202 | Ball Bearing | 6202/p5 | 4 |
| 79..... | 05-48 | Gasket..... | | 2 |
| 80..... | 05-47 | Flange | | 2 |
| 81..... | 05-35 | Gear | 28T | 1 |
| 82..... | GH1440K-05719 | Washer..... | | 1 |
| 83..... | GH1440K-05712 | Gear | 26T | 1 |
| 84..... | GH1440K-05718 | Washer..... | | 1 |
| 85..... | GH1440K-05711 | Gear | 24T | 1 |
| 86..... | GH1440K-05717 | Washer..... | | 1 |
| 87..... | GH1440K-05710 | Gear | 23T | 1 |
| 88..... | GH1440K-05716 | Washer..... | | 1 |
| 89..... | GH1440K-05709 | Gear | 22T | 1 |
| 90..... | GH1440K-05715 | Washer..... | | 1 |
| 91..... | GH1440K-05708 | Gear | 20T | 1 |
| 92..... | GH1440K-05714 | Washer..... | | 1 |
| 93..... | GH1440K-05707 | Gear | 18T | 1 |
| 94..... | GH1440K-05713 | Washer..... | | 1 |
| 95..... | GH1440K-05706 | Gear | 16T | 1 |
| 96..... | 05-37 | Gear | 26T | 1 |
| 97..... | 05-52 | Spline Shaft..... | | 1 |
| 98..... | GB1096-79-5x14..... | Key | 5x14 | 3 |
| 99..... | GB1096-79-6x14..... | Key | 6x14 | 1 |
| 100..... | GB893.1-86-32..... | Retainer Ring | 32 | 2 |
| 101..... | BB-61804 | Bearing..... | 61804/p5 | 2 |
| 102..... | 05-49 | Gear | 16T | 1 |
| 103..... | 05-66 | Washer..... | | 1 |
| 104..... | 05-25 | Gear | 21T | 1 |
| 105..... | GB896-86-15..... | Retainer Ring | 15 | 1 |
| 106..... | 05-19 | Gear | 26T | 1 |
| 107..... | 05-53 | Gasket..... | | 1 |
| 108..... | 05-17 | Flange | | 1 |
| 109..... | GB3452.1-82-15x2.65..... | O-Ring..... | 15x2.65 | 1 |
| 110..... | BB-8104 | Ball Bearing | 8104 | 3 |
| 112..... | GH1440K-05704 | Shaft..... | | 1 |
| 113..... | GH1440K-05705 | Shaft..... | | 1 |
| 114..... | 05-18 | Flange | | 1 |

| | | | |
|----------|---------------------|------------------------------|---|
| 115..... | 05-53 | Gasket..... | 1 |
| 116..... | 05-20 | Nut..... | 2 |
| 117..... | 05-22 | Gear 32T | 1 |
| 118..... | 05-24 | Collar | 1 |
| 119..... | 05-26 | Gear 16T | 1 |
| 120..... | GB894.1-15 | Retainer Ring 15 | 1 |
| 121..... | GH1440A-05306 | | 1 |
| 122..... | GB117-5×40 | Pin 5×40 | 1 |
| 123..... | GH1440K-05727 | | 1 |
| 124..... | GH1440A-05307 | | 1 |
| 125..... | GB879-4×35 | Pin 4×35 | 2 |
| 126..... | GH1440K-05726 | | 1 |

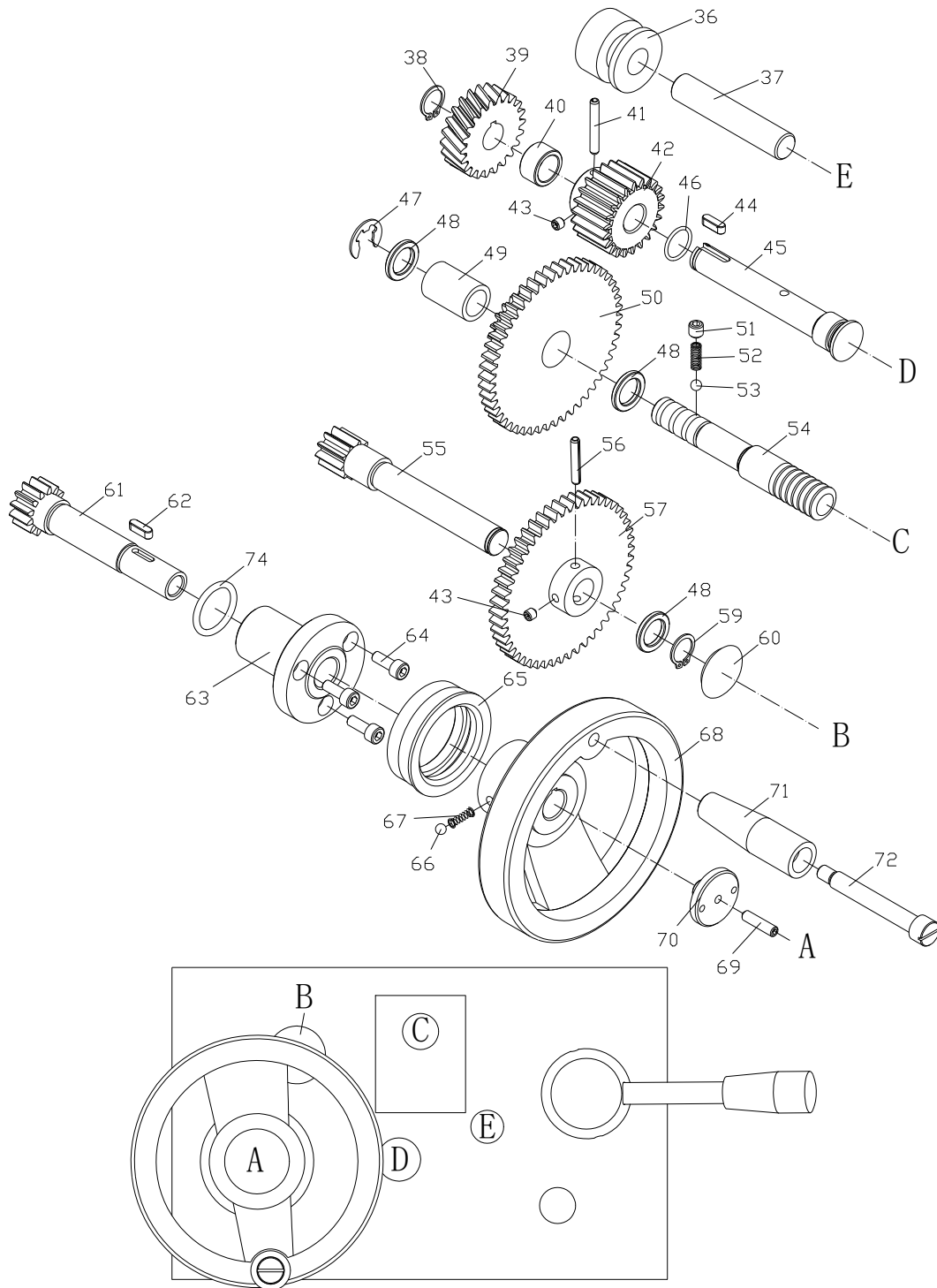
Apron Assembly I



Apron Assembly I

| Index No. | Part No. | Description | Size | Quantity |
|-----------|-------------------|------------------------------|---------|----------|
| 1 | TS-1503021 | Hex Socket Cap Screw | M6x10 | 2 |
| 2 | 06-37 | Half Nut | | 1 |
| 3 | 06-36 | Bracket | | 1 |
| 4 | TS-1503041 | Hex Socket Cap Screw | M6x16 | 2 |
| 5 | 06-33 | Gib | | 1 |
| 6 | GB78-M6x6 | Set Screw | M6x6 | 3 |
| 6a | GB77-M6x6 | Set Screw | M6x6 | 3 |
| 7 | TS-1504081 | Hex Socket Cap Screw | M8x40 | 2 |
| 8 | TS-1524011 | Set Screw | M8x8 | 1 |
| 9 | 06-39 | Spring | | 1 |
| 10 | GB308-84-Ø6 | Steel Ball | 6 | 1 |
| 11 | 06-01 | Casting | | 1 |
| 12 | 06-42-1 | Pin | | 2 |
| 13 | 06-42 | Half Nut Cam | | 1 |
| 14 | GB879-86-5x35 | Pin | 5x35 | 1 |
| 15 | TS-1523011 | Set Screw | M6x6 | 1 |
| 16 | GB879-86-5x50 | Pin | 5x50 | 1 |
| 17 | GH1440-06-09 | Hub | | 1 |
| 18 | GH1440-06-04 | Handle Shaft | | 1 |
| 19 | GB4141.14-BM10x50 | Knob | BM10x50 | 2 |
| 20 | 06-40 | Safety Catch | | 1 |
| 21 | GH1440-05-27 | Oil Sight | | 1 |
| 22 | 06-04 | Bracket | | 1 |
| 23 | 06-16 | Block | | 1 |
| 24 | TS-1503031 | Hex Socket Cap Screw | M6x12 | 2 |
| 25 | GH1440-06-07 | Spline Shaft | | 1 |
| 26 | GH1440-06-08 | Handle Shaft | | 1 |
| 27 | TS-1503101 | Hex Socket Cap Screw | M6x45 | 3 |
| 28 | 06-02 | Plug | | 1 |
| 29 | TS-1503041 | Hex Socket Cap Screw | M6x16 | 4 |
| 30 | 06-35 | Drain Plug | | 1 |
| 31 | 06-34 | Flange | | 2 |
| 32 | GB1096-79-5x56 | Key | 5x56 | 1 |
| 33 | GB879-86-3x5 | Pin | 3x5 | 2 |
| 34 | 06-27 | Worm | | 1 |
| 35 | 06-50 | Collar | | 2 |
| 73 | TS-1522031 | Set Screw | M5x10 | 2 |
| 75 | GH1440K-06301-6 | Apron Label | | 1 |
| 76 | GB70.2-M3x6 | Hex Socket Button Head Screw | M3x6 | 8 |
| 77 | GH1440K-06302-2 | Thread Dial Label | | 1 |
| 78 | GB70.2-M3x6 | Hex Socket Button Head Screw | M3x6 | 4 |

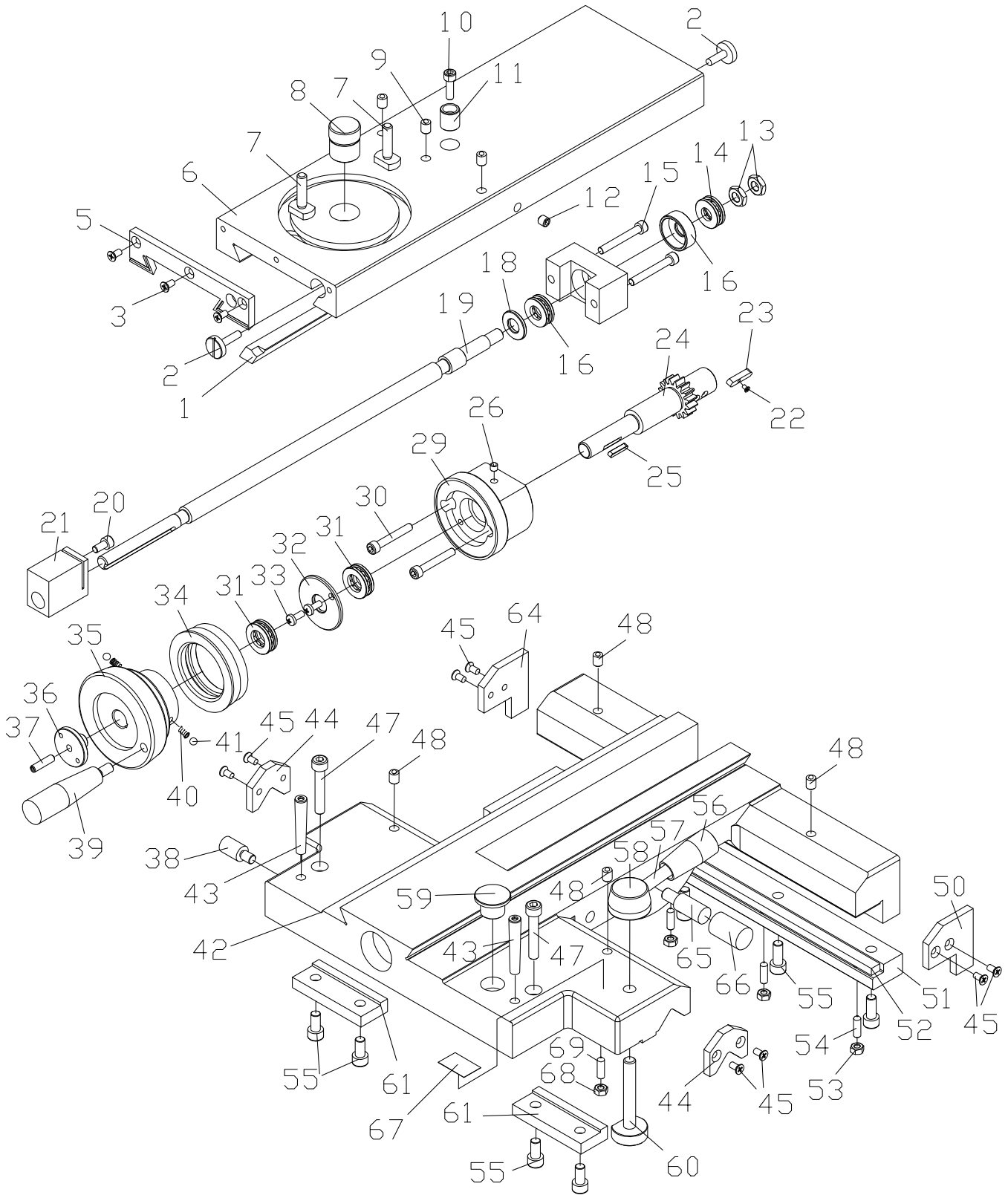
Apron Assembly II



Apron Assembly II

| Index No. | Part No. | Description | Size | Quantity |
|-----------|----------------------------|----------------------------|-----------------|----------|
| 36..... | 06-44 | Bushing | | 1 |
| 37..... | 06-43 | Shaft | | 1 |
| 38..... | GB894.1-86-16..... | Retainer Ring | 16 | 1 |
| 39..... | 06-28 | Gear | 22T | 1 |
| 40..... | 06-26 | Collar | | 1 |
| 41..... | GB879-86-5x35..... | Pin | 5x35 | 1 |
| 42..... | 06-20 | Gear | 24T | 1 |
| 43..... | TS-1523011..... | Set Screw | M6x6 | 1 |
| 44..... | GB1096-79-5x15..... | Key | 5x15 | 1 |
| 45..... | 06-19 | Shaft | | 1 |
| 46..... | GB3452.1-82-17x1.8..... | O-Ring | 17x1.8 | 1 |
| 47..... | GB896-86-12..... | Retainer Ring | 12 | 1 |
| 48..... | 06-10 | Bushing | | 2 |
| 49..... | 06-15-1 | Collar | | 1 |
| 50..... | 06-15 | Cluster Gear | 50T/20T..... | 1 |
| 51..... | TS-1524011..... | Set Screw | M8x8 | 1 |
| 52..... | 06-14 | Spring | | 1 |
| 53..... | GB308-84-Ø6..... | Steel Ball | 6 | 1 |
| 54..... | 06-13 | Shaft | | 1 |
| 55..... | 06-06 | Shaft | | 1 |
| 56..... | GB879-86-5x30..... | Pin | 5x30 | 1 |
| 57..... | 06-08 | Gear | 50T | 1 |
| 58..... | 06-10 | Bushing | | 1 |
| 59..... | GB894.1-86-16..... | Retainer Ring | 16 | 1 |
| 60..... | 06-11 | Plug | | 1 |
| 61..... | 06-07 | Shaft | | 1 |
| 62..... | GB1096-79-5x15..... | Key | 5x15 | 1 |
| 63..... | GH1440K-06109Jm..... | Wheel Flange | | 1 |
| 64..... | TS-1503041..... | Hex Socket Cap Screw | M6x16 | 3 |
| 65..... | GH1440K-06722Jm..... | Indicator Ring | | 1 |
| 66..... | GB308-84-Ø6..... | Steel Ball | 6 | 2 |
| 67..... | 06-32 | Spring | | 2 |
| 68..... | GH1440-06-06..... | Wheel | | 1 |
| 69..... | TS-1523071..... | Set Screw | M6x25 | 1 |
| 70..... | 06-30 | Wheel Stud..... | | 1 |
| 71..... | GH1440-06-11..... | Handle Sleeve..... | | 1 |
| 72..... | GH1440-06-10..... | Handle Lever..... | | 1 |
| 74..... | GB3452.1-82-25.8x3.55..... | O-Ring | 25.8x3.55 | 1 |

Saddle and Cross Slide Assembly

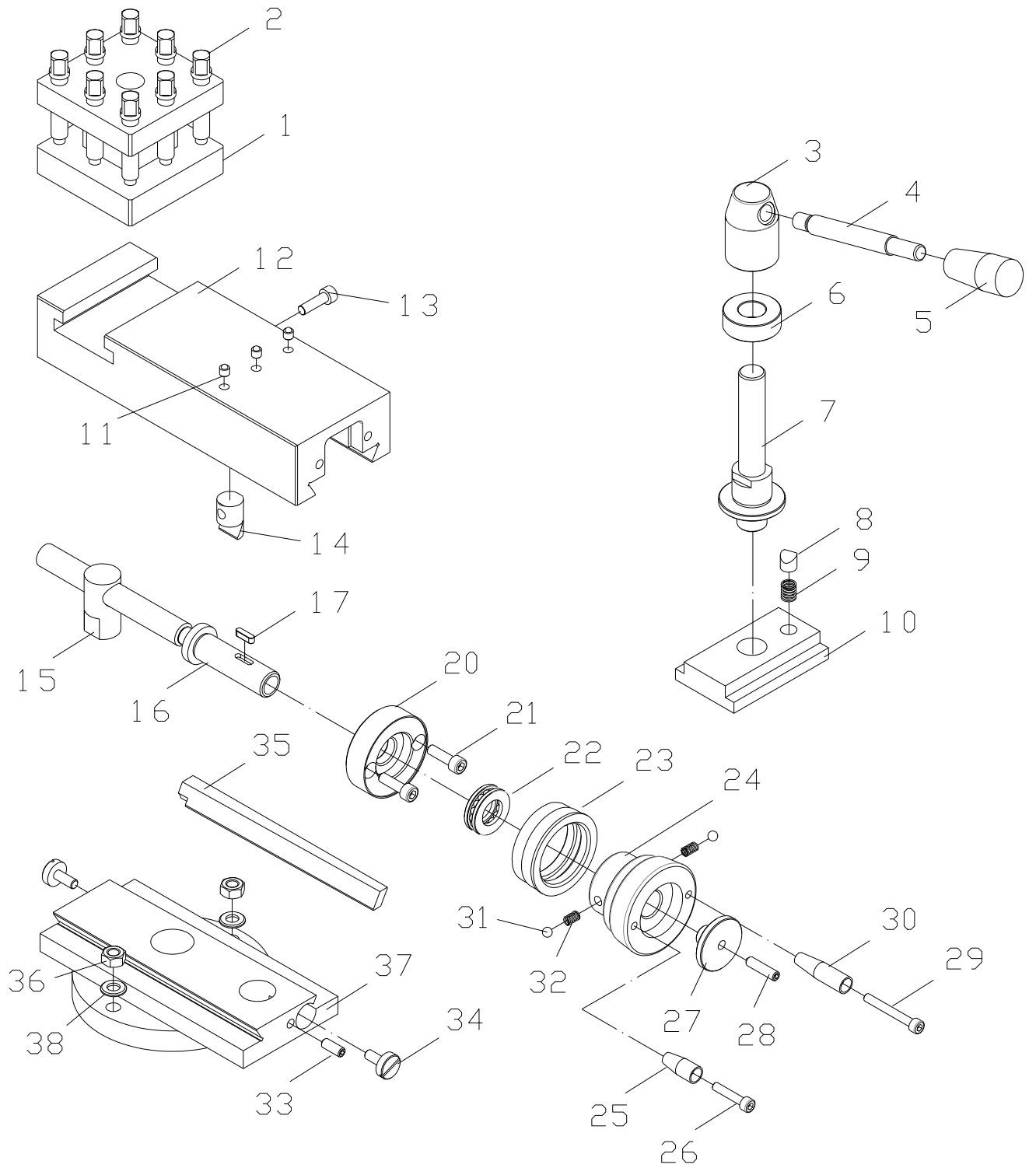


Saddle and Cross Slide Assembly

| Index No. | Part No. | Description | Size | Quantity |
|-----------|---------------------|------------------------------|---------|----------|
| 1..... | GH1440K-04702 | Gib | | 1 |
| 2..... | GH1440A-04728 | Gib Adjusting Screw | | 2 |
| 3..... | TS-2245102 | Pan Head Machine Screw | M5x10 | 5 |
| 5..... | GH1440K-04504 | Plate Wiper | | 1 |
| 6..... | GH1440K-04102 | Cross Slide Body | | 1 |
| 7..... | GH1440K-04704 | Clamp Nut | | 2 |
| 8..... | GH1440A-04726 | Hub | | 1 |
| 9..... | GB1155-8 | Oiler | 8 | 3 |
| 10..... | TS-1503051 | Hex Socket Cap Screw | M6x20 | 3 |
| 11..... | GH1440K-04705 | Sleeve | | 1 |
| 12..... | TS-1524011 | Set Screw | M8x8 | 1 |
| 13..... | TS-1541041 | Hex Nut | M10 | 2 |
| 14..... | GH1440A-04701 | Bearing Cap | | 1 |
| 15..... | TS-1503071 | Hex Socket Cap Screw | M6x30 | 2 |
| 16..... | BB-8101 | Thrust Bearing | 8101 | 2 |
| 17..... | GH1440A-04103 | Block | | 1 |
| 18..... | GH1440A-04702 | Spacer | | 1 |
| 19..... | GH1440-07-16 | Leadscrew | | 1 |
| 20..... | TS-1503031 | Hex Socket Cap Screw | M6x12 | 1 |
| 21..... | GH1440K-04301 | Crossfeed Nut | | 1 |
| 22..... | GB819-85-M3x5 | Pan head Machine Screw | M3x5 | 1 |
| 23..... | GH1440A-04718 | Key | 5X25 | 1 |
| 24..... | GH1440K-04703 | Gear Shaft | | 1 |
| 25..... | GB1096-79-4x20 | Key | 4x20 | 2 |
| 26..... | GB1155-89-6 | Oiler | 6 | 1 |
| 29..... | GH1440K-04103Jm | Housing | | 1 |
| 30..... | TS-1503091 | Hex Socket Cap Screw | M6x40 | 2 |
| 31..... | BB-8102 | Thrust Bearing | 8102 | 2 |
| 32..... | GH1440A-04715 | Washer | | 1 |
| 33..... | TS-1532031 | Pan head Machine Screw | M5x10 | 2 |
| 34..... | GH1440K-04710Jm | Index Ring | | 1 |
| 35..... | GH1440A-04107 | Compound Handle | | 1 |
| 36..... | GH1440A-04717 | Cover Screw | | 2 |
| 37..... | TS-1523071 | Set Screw | M6x25 | 1 |
| 39..... | GH1440A-06719 | Handle Sleeve | | 1 |
| 40..... | GB2089-79-0.7x5x9 | Spring | 0.7x5x9 | 2 |
| 41..... | GB308-84-Ø6 | Steel Ball | 6 | 2 |
| 42..... | GH1440K-04101 | Saddle | | 1 |
| 43..... | GB117-86-6x40 | Pin | 6x40 | 2 |
| 44..... | GH1440K-04503 | Plate Wiper | | 2 |
| 45..... | TS-2245102 | Pan Head Machine Screw | M5x10 | 1 |
| 47..... | TS-1504091 | Hex Socket Cap Screw | M8x45 | 2 |
| 48..... | GB1155-79-8 | Oiler | 8 | 4 |
| 50..... | GH1440K-04501 | Plate Wiper | | 1 |
| 51..... | GH1440A-04720 | Rear Pressure Plate | | 1 |
| 52..... | GH1440A-04108 | Gib | | 1 |
| 53..... | TS-1541021 | Lock Nut | M6 | 4 |
| 54..... | TS-1523061 | Set Screw | M6x20 | 4 |
| 55..... | TS-1504041 | Hex Socket Cap Screw | M8x20 | 6 |
| 56..... | GB4141.14-M10x50 | Knob | BM10x50 | 1 |
| 57..... | GH1440K-04724Jm | Handle Shaft (for 50000916T) | | 1 |
| | GH1440K-04724Jm-DRO | Handle Shaft (for 50000916T) | | 1 |
| 58..... | GH1440A-04730 | Hub | | 1 |
| 59..... | GH1440A-04502 | Oil Cap | | 1 |
| 60..... | GH1440A-04731 | Lock Stud | | 1 |
| 61..... | GH1440A-04719 | Front Pressure Plate | | 2 |

| | | | |
|---------|----------------------|---------------------|------------|
| 62..... | 14-04 | Connected Tube..... | 1 |
| 63..... | GH1440A-18707A | Lamp Bracket..... | 1 |
| 64..... | GH1440K-04502 | Plate Wiper..... | 1 |
| 65..... | GHB1340A-04788 | Pin | 1 |
| 66..... | GHB1340A-04507 | Sleeve | 1 |
| 67..... | GH1440K-04303 | Sleeve | 1 |
| 68..... | TS-1541011 | Nut..... | M5 |
| 69..... | TS-1502071 | Set Screw | M5X30..... |

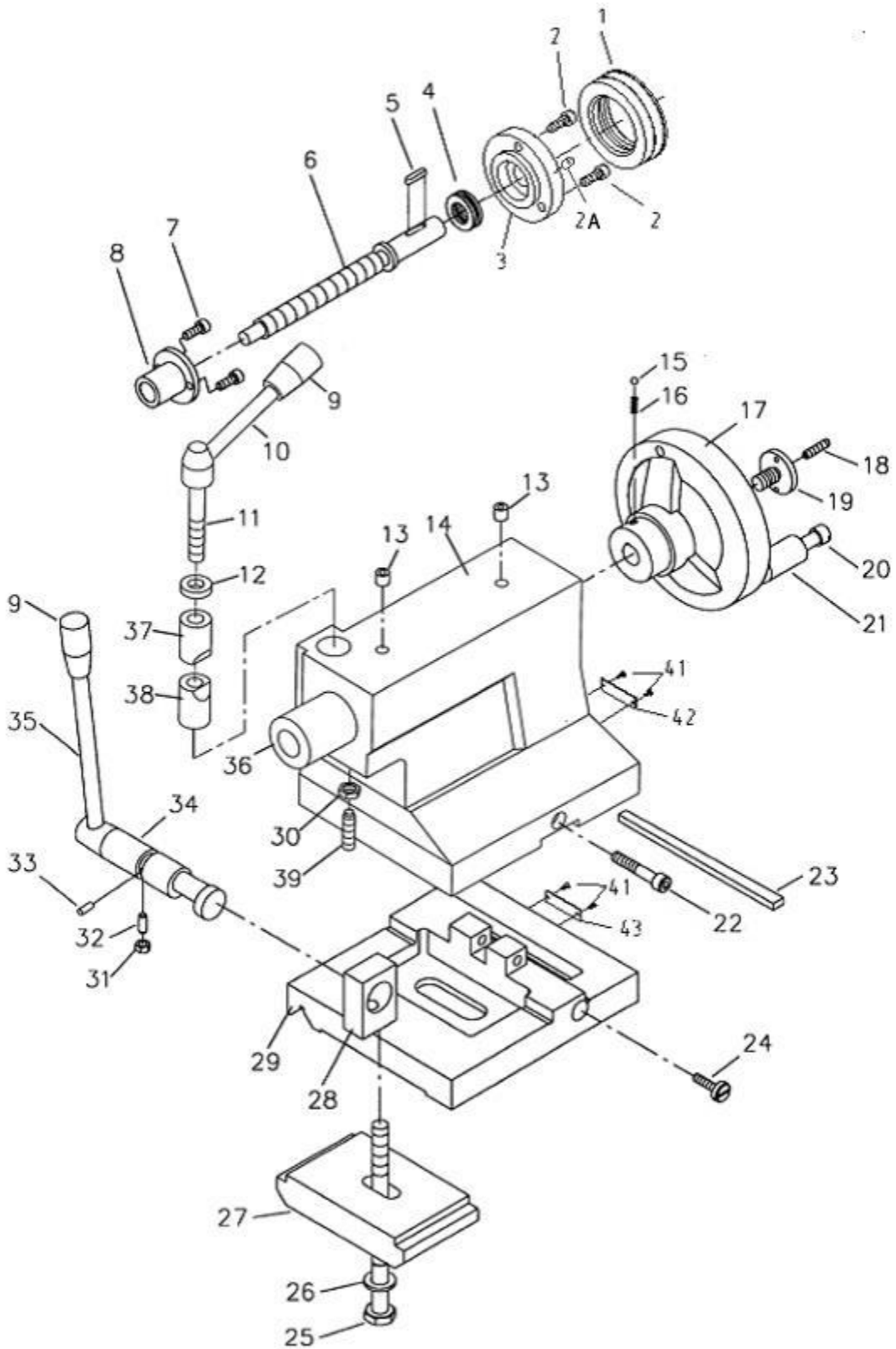
Top Slide and Tool Post



Top Slide and Tool Post

| Index No. | Part No. | Description | Size | Qty |
|-----------|-------------------|-------------------------|------------|-----|
| 1 | GH1440A-04707 | Tool Post | | 1 |
| 2 | GB83-88-10x50 | Tool Lock Screw | 10x50 mm | 8 |
| 3 | C0632-04704 | Handle Hub | | 1 |
| 4 | GH1440A-04705 | Handle Shaft | | 1 |
| 5 | GB4141.14-BM10x50 | Knob | M10x50 | 1 |
| 6 | GH1440A-04706 | Spacer | | 1 |
| 7 | GH1440A-04708 | Tool Post Pin | | 1 |
| 8 | GH1440A-04709 | Tool Post Position Pin | | 1 |
| 9 | GB2089-80-1x8x11 | Spring | 1x8x11 mm | 1 |
| 10 | GH1440A-04725 | Clamp Nut | | 1 |
| 11 | GB1155-89-6 | Ball Oiler | 6 mm | 3 |
| 12 | GH1440K-04105 | Compound Slide | | 1 |
| 13 | TS-1503051 | Hex Socket Hd Cap Screw | M6x20 | 1 |
| 14 | GH1440A-04729 | Position Pin | | 1 |
| 15 | GH1440A-04302A | Cylindrical Nut | | 1 |
| 16 | GH1440A-04724C | Compound Screw | | 1 |
| 17 | GB1096-79-4x14 | Key, Dbl Rd Hd | 4x14 mm | 1 |
| 20 | GH1440K-04110Jm | Screw Bushing | | 1 |
| 21 | TS-1503051 | Hex Socket Hd Cap Screw | M6x20 | 2 |
| 22 | BB-8103 | Thrust Bearing | 8103 | 1 |
| 23 | GH1440K-04711Jm | Index Ring | | 1 |
| 24 | GH1440A-04109 | Handwheel | | 1 |
| 25 | GH1440A-04722 | Handle | | 1 |
| 26 | TS-1502061 | Hex Socket Hd Cap Screw | M5x25 | 1 |
| 27 | GH1440A-04717 | Cover Screw | | 1 |
| 28 | TS-1523071 | Socket Set Screw | M6x25 | 1 |
| 29 | TS-1502091 | Hex Socket Hd Cap Screw | M5x40 | 1 |
| 30 | GH1440A-04721 | Handle | | 1 |
| 31 | GB308-84-Ø6 | Steel Ball | 6 mm | 2 |
| 32 | GB2089-80-0.7x5x9 | Spring | 0.7x5x9 mm | 2 |
| 33 | TS-1523051 | Socket Set Screw | M6x16 | 1 |
| 34 | GH1440A-04728 | Gib Adjusting Screw | | 2 |
| 35 | GH1440K-04106 | Gib | | 1 |
| 36 | TS-1540061 | Hex Nut | M8 | 2 |
| 37 | GH1440K-04104A | Swivel Slide | | 1 |
| 38 | TS-1550061 | Flat Washer | 8 mm | 2 |

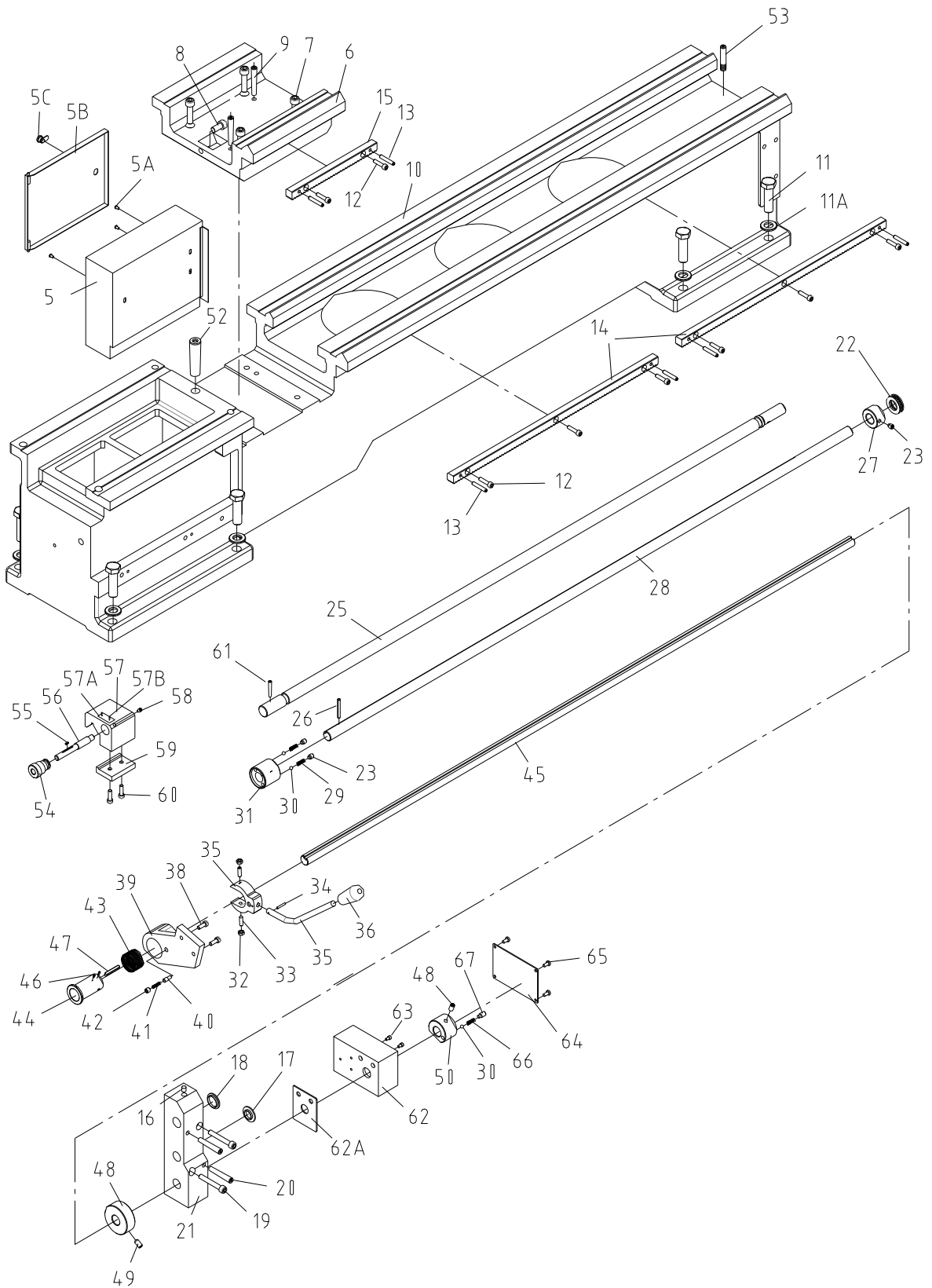
Tailstock Assembly



Tailstock Assembly

| Index No. | Part No. | Description | Size | Qty |
|-----------|--------------------|-------------------------|---------|-----|
| 1 | GH1440K-03713Jm | Index Ring | | 1 |
| 2 | TS-1503051 | Hex Socket Hd Cap Screw | M6x20 | 3 |
| 2A | GB1155-89 | Ball Oiler | 6mm | 1 |
| 3 | GH1440K-03102Jm | Hub | | 1 |
| 4 | BB-8103 | Thrust Bearing | 8103 | 1 |
| 5 | KF2R4420 | Key, Dbl Rd Hd | 4x20 mm | 1 |
| 6 | GH1440K-03702 | Leadscrew | | 1 |
| 7 | TS-1503041 | Hex Socket Hd Cap Screw | M6x16 | 2 |
| 8 | GH1440K-03301 | Flange | | 1 |
| 9 | GB4141. 14-BM10x50 | Knob | BM10x50 | 2 |
| 10 | GH1440K-03705 | Lever Handle | | 1 |
| 11 | GH1440K-03704 | Lever Support | | 1 |
| 12 | GH1440K-03703 | Washer | | 1 |
| 13 | GB1155-89-10 | Ball Oiler | 10 mm | 2 |
| 14 | GH1440K-03101 | Tailstock Body | | 1 |
| 15 | GB308-84-Ø6 | Steel Ball | 6 mm | 2 |
| 16 | GB2089-80-0.8x5x8 | Spring | 0.8x5x8 | 2 |
| 17 | GH1440A-06108 | Handwheel | | 1 |
| 18 | TS-1523081 | Socket Set Screw | M6x30 | 1 |
| 19 | GH1440A-06721 | Cover Screw | | 1 |
| 20 | GH1440A-06720 | Handle Lever | | 1 |
| 21 | GH1440A-06719 | Handle Sleeve | | 1 |
| 22 | TS-1504131 | Hex Socket Hd Cap Screw | M8x70 | 2 |
| 23 | GH1440K-03711 | Gib | | 1 |
| 24 | GH1440K-03712 | Gib Adjusting Screw | | 2 |
| 25 | TS-1492071 | Hex Cap Bolt | M12x70 | 1 |
| 26 | TS-1550081 | Washer | 12 mm | 1 |
| 27 | GH1440K-03103 | Tailstock Clamp Plate | | 1 |
| 28 | GH1440A-03710 | Block | | 1 |
| 29 | GH1440K-03104 | Tailstock Base | | 1 |
| 30 | TS-1541041 | Hex Jam Nut | M10 | 1 |
| 31 | TS-1541021 | Hex Jam Nut | M6 | 1 |
| 32 | F010438 | Socket Set Screw DP | M6x16 | 1 |
| 33 | GB879-86-5x10 | Pin | 5x10 mm | 1 |
| 34 | GH1440K-03710 | Eccentric Shaft | | 1 |
| 35 | GH1440K-03709 | Lever Handle | | 1 |
| 36 | GH1440K-03701 | Quill | | 1 |
| 37 | GH1440K-03707 | Clamping Block | | 1 |
| 38 | GH1440K-03708 | Clamping Block | | 1 |
| 39 | F010446 | Socket Set Screw DP | M10x40 | 1 |
| 41 | GB827-2x5 | Rivet | 2x5 | 4 |
| 42 | GH1440K-03302 | Indicator Label | | 1 |
| 43 | GH1440K-03303 | Indicator Label | | 1 |

Bed and Shaft Assembly

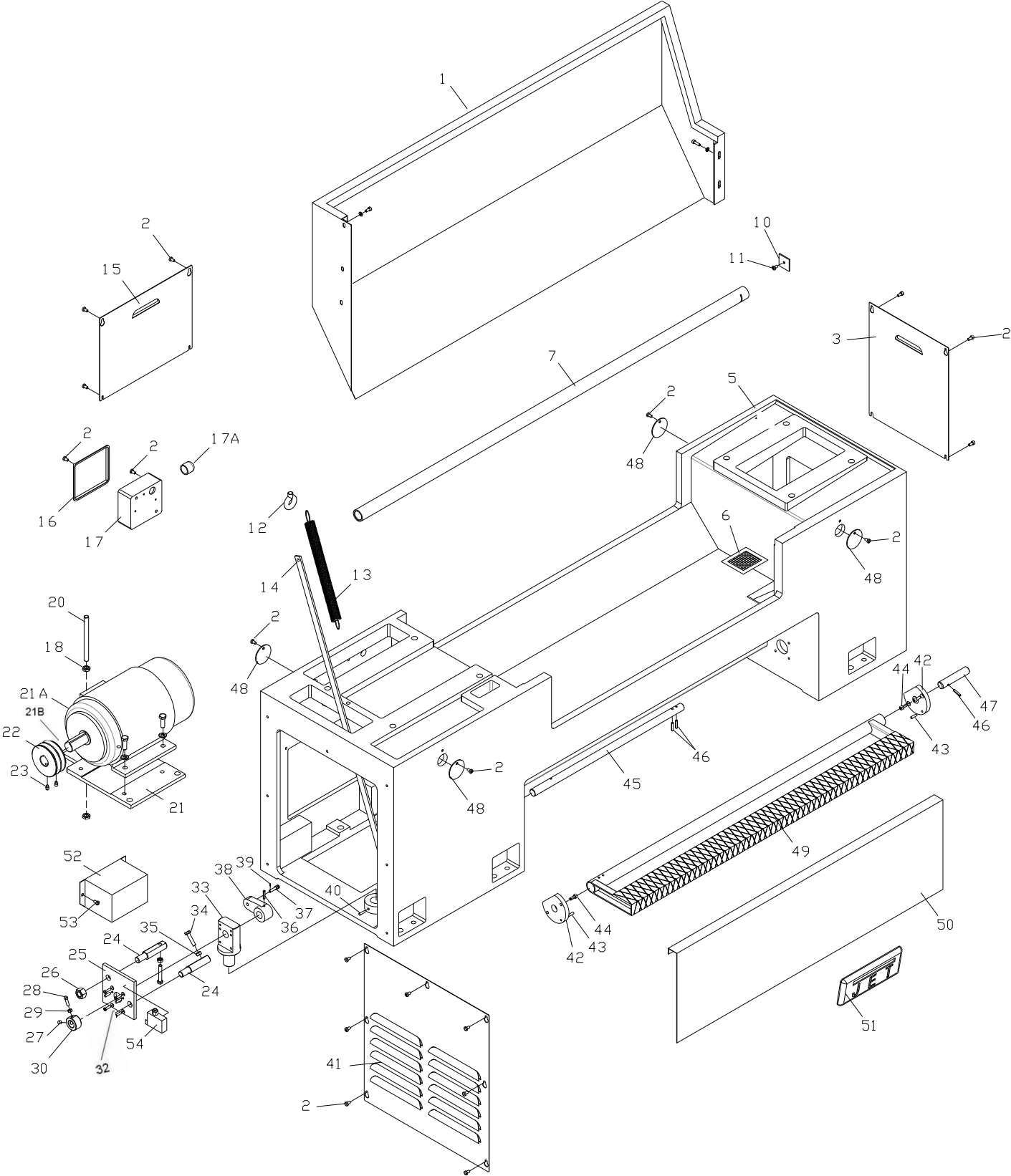


Bed and Shaft Assembly

| Index No. | Part No. | Description | Size | Quantity |
|-----------|--------------------|----------------------|----------|----------|
| 4..... | GH1440K-01737 | Stud | | 3 |
| 5..... | GH1440K-18701 | Electrical Box | | 1 |
| 5A..... | TS-1503061 | Hex Socket Cap Screw | M6x45 | 3 |
| 5B..... | GH1440K-18702 | Electrical Box Door | | 1 |
| 5C..... | | Gate lock | MS402 | 1 |
| 6..... | GH1440K-01102 | Gap | | 1 |
| 7..... | TS-1506051 | Hex Socket Cap Screw | M10x40 | 4 |
| 8..... | TS-1525041 | Socket Set Screw | M10x20 | 2 |
| 9..... | GB881-86-8x60 | Pin | 8x60 | 2 |
| 10..... | GH1440K-01101 | Bed | | 1 |
| 11..... | TS-2213501 | Hex Cap Bolt | M16x50 | 8 |
| 11B..... | TS-155010 | Washer | 16 | 8 |
| 12..... | TS-1503061 | Hex Socket Cap Screw | M6x25 | 8 |
| 13..... | GB879-85-6x35 | Pin | 6x35 | 6 |
| 14..... | GH1440A-01705 | Rack (long) | | 2 |
| 15..... | GH1440A-01704 | Rack (short) | | 1 |
| 16..... | GB1155-89-10 | Oiler | 10 | 1 |
| 17..... | C0632-01503 | Plug | | 2 |
| 18..... | C0632-01502 | Plug | | 1 |
| 19..... | TS-1504111 | Hex Socket Cap Screw | M8x55 | 2 |
| 20..... | GB118-86-8x55 | Pin | 8x55 | 2 |
| 21..... | GH1440K-01108 | End Bracket | | 1 |
| 22..... | BB-51104 | Bearing | 51104 | 1 |
| 23..... | TS-1524021 | Set Screw | M8x10 | 3 |
| 25..... | GH1440A-01712/1000 | Lead Screw | | 1 |
| 26..... | GB879-4x35 | Pin | 4x35 | 1 |
| 27..... | GH1440A-01718 | Collar | | 1 |
| 28..... | GH1440K-01701 | Feed Shaft | | 1 |
| 29..... | 01-38 | Spring | 1.2×6×28 | 2 |
| 30..... | GB308-84-Ø6 | Steel Ball | 6 | 3 |
| 31..... | GH1440A-01706 | Clutch | | 1 |
| 32..... | TS-1540041 | Nut | M6 | 2 |
| 33..... | TS-1523061 | Set Screw | M6x20 | 2 |
| 34..... | GB879-85-3x20 | Pin | 3x20 | 1 |
| 35..... | GH1440A-01106 | Control Fork | | 1 |
| 36..... | GH1440A-01715 | Control Handle | | 1 |
| 37..... | GB4141.14-BM10x50 | Knob | BM10x50 | 1 |
| 38..... | TS-1503041 | Hex Socket Cap Screw | M6x16 | 2 |
| 39..... | GH1440A-01105 | Control Bracket | | 1 |
| 41..... | GB2089-80-0.8x5x25 | Spring | 0.8x5x25 | 1 |
| 42..... | TS-1524011 | Set Screw | M8x8 | 1 |
| 43..... | GB2089-80-3x35x70 | Spring | 3x35x70 | 1 |
| 44..... | GH1440A-01711 | Sleeve | | 1 |
| 45..... | GH1440K-01701 | Control Rod | | 1 |
| 46..... | TS-1520021 | Set Screw | M3x6 | 2 |
| 47..... | GB1096-5x36 | Key | 5x36 | 1 |
| 48..... | TS-1523031 | Set Screw | M8x16 | 2 |
| 49..... | GH1440A-01709 | Collar | | 1 |
| 50..... | GH1440A-01708 | Shift Collar | | 1 |
| 51..... | TS-1523051 | Set Screw | M6x16 | 1 |
| 52..... | GB118-8x60 | Pin | 8x60 | 1 |
| 53..... | GB73-M12x40 | Set Screw | M12x40 | 1 |
| 54..... | GH1440A-01717GJ | Index Ring | | 1 |
| 55..... | GB879-85-3x6 | Pin | 3x6 | 1 |
| 56..... | GH1440A-01716 | Shaft | | 1 |

| | | | |
|-----------|---------------------|--------------------------------|--------------|
| 57..... | GH1440K-01105 | Bracket | 1 |
| 57A | GH1440K-03302 | Indicator Label..... | 1 |
| 57B | GB827-2x3 | Rivet | 2x3 |
| 58..... | TS-1523031..... | Set Screw | M6x10 |
| 59..... | GH1440A-01108 | Plate | 1 |
| 60..... | TS-1503041..... | Hex Socket Cap Screw | M6x20 |
| 61..... | GB879-5x40 | Pin | 5x40 |
| 62..... | C0632A-01301 | Shaft Support | 1 |
| 62A | C0632A-01505 | Gasket..... | 1 |
| 63..... | TS-1504041..... | Hex Socket Cap Screw | M8x20 |
| 64..... | C0632A-01504 | Shaft Box Cover | 1 |
| 65..... | TS-2245102..... | Socket Head Button Screw | M5x10 |
| 66..... | GB2089-1x5x22..... | Spring..... | 1x5x22 |
| 67..... | TS-1524041..... | Set Screw | M8x16 |
| | GH1440K-SQ3 | Forward Switch | TM1306 |
| | GH1440K-SQ4 | Reverse Switch | TM1306 |

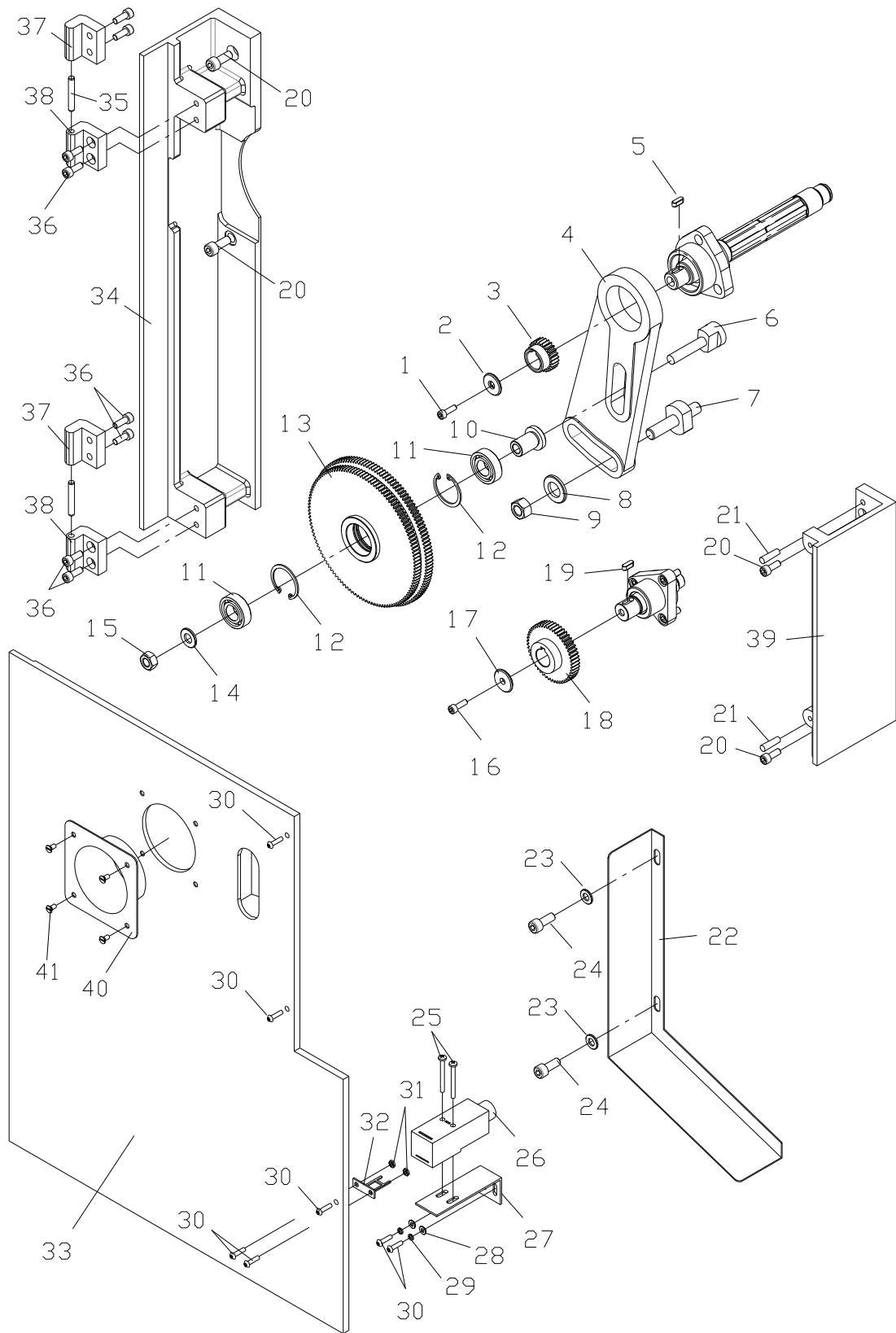
Stand and Brake Assembly



Stand and Brake Assembly

| Index No. | Part No. | Description | Size | Quantity |
|-----------|----------------|---------------------------|------------|----------|
| 1 | GH1440K-01707 | Splash Guard | | 1 |
| 2 | TS-2246102 | Head screw | M6x10 | 13 |
| 3 | GH1440K-01710 | Cover | | 1 |
| 5 | GH1440K-01109 | Bed Stand | | 1 |
| 6 | CK6125-01702 | Water Leaking Chip Guard | | 1 |
| 7 | GH1440K-01716 | Wire Conduit | | 1 |
| 10 | TS-1502011 | Screw | M5x8 | 1 |
| 11 | 1440R-01706 | Locking Plate | | 1 |
| 12 | GB825-M8 | Eyebolt | M8 | 1 |
| 13 | GH1440K-S13 | Tensile Spring | 3.5x25x270 | 1 |
| 14 | GH1440K-22702 | Draw Bar | | 1 |
| 15 | GH1440K-01709 | Cover | | 1 |
| 16 | GH1440A-18303 | Switch Box Cover | | 1 |
| 17 | GH1440A-18304 | Switch Box | | 1 |
| 17A | PG16 | Joint | M24 | 1 |
| 18 | TS-2342161 | Nut | M16 | 9 |
| 20 | GH1440K-01718 | Bolt | | 3 |
| 21 | GH1440K-01107A | Motor Mounting | | 1 |
| 21A | GH1440-M1-3 | Main Motor | 400V | 1 |
| 21B | GH1440K-S21B | Pin | 8x35 | 1 |
| 22 | GH1440K-01106 | Pulley | | 1 |
| 23 | TS-1524041 | Screw | M8x16 | 2 |
| 24 | GH1440K-22707 | Butt Rod Support | | 1 |
| 25 | 1440R-22714 | Positioning Plate | | 1 |
| 26 | TS-2342161 | Nut | M16 | 2 |
| 27 | TS-1524021 | Set screw | M8x10 | 1 |
| 28 | GH1440A-22713 | Rod Support | | 1 |
| 29 | TS-1541021 | Nut | M6 | 1 |
| 30 | GH1440A-22705 | Butt Nail Support | | 1 |
| 31 | GB117-5x20 | Pin | 5x20 | 2 |
| 32 | GB819- M5x20 | Head screw | M5x20 | 4 |
| 33 | GH1440K-22704 | Adjust Bolt | | 1 |
| 34 | TS-1490091 | Head bolt | M8x50 | 1 |
| 35 | TS-1540061 | Nut | M8 | 2 |
| 36 | GB879-5x40 | Pin | 5x40 | 1 |
| 37 | GH1440A-22704 | Connecting Shaft | | 1 |
| 38 | GH1440A-22101 | Fork | | 1 |
| 39 | GB91-2x20 | Pin | 2x20 | 1 |
| 40 | TS-1524041 | Set screw | M8x16 | 1 |
| 41 | GH1440K-22708 | Cover | | 1 |
| 42 | GH1440K-22706 | Butt Nail Support | | 2 |
| 43 | GB117-5x20 | Pin | 5x20 | 2 |
| 44 | TS-1503041 | Hexagon socket head screw | M6x16 | 4 |
| 45 | GH1440K-22705 | Driving Shaft-Longer | | 1 |
| 46 | GB879-5x30 | Pin | 5x30 | 3 |
| 47 | GH1440A-22707 | Driving Shaft | | 1 |
| 48 | GH1440A-01723 | Cover | | 2 |
| 49 | GH1440K-22701A | Brake Pedal | | 1 |
| 50 | GH1440K-01717 | Stand Front | | 1 |
| 51 | JET-165 | Logo | JET-165 | 1 |
| 52 | GH1440K-18712 | Cover | | 1 |
| 53 | TS-2245242 | Hexagon socket head screw | M5x25 | 2 |
| 54 | GH1440K-18701B | Cover | | 1 |
| | LXW5-11Ni | Micro switch | | 1 |

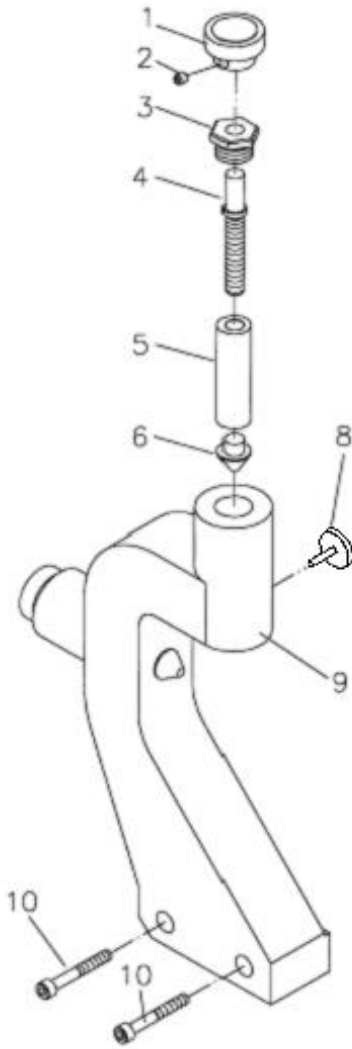
End Gear Assembly



End Gear Assembly

| Index No. | Part No. | Description | Size | Quantity |
|-----------|----------------|---|---------|----------|
| 1 | TS-1502041 | Hex Socket Hd dHCap Screw | M5x16 | 1 |
| 2 | GH1440K-1304 | Washer, spcl | 6 mm | 1 |
| 3 | 04-50 | Gear | 25T | 1 |
| 4 | GH1440K-05104 | Quadrant (inch) | | 1 |
| 5 | GB1096-5X14 | Key, Dbl Rd Hd | 5x14 mm | 1 |
| 6 | 05-43 | Threaded Shaft | | 1 |
| 7 | GH1440K-05720 | Stud | | 1 |
| 8 | TS-2360121 | Flat Washer | 12 mm | 1 |
| 9 | TS-1540081 | Hex Nut | M12 | 1 |
| 10 | 05-45 | Collar | | 1 |
| 11 | BB-6103 | Ball Bearing | 6103 | 2 |
| 12 | F006033 | C-Retaining Ring, Int. | 35 mm | 2 |
| 13 | 05-65 | Gear | 120/127 | 1 |
| 14 | 05-44 | Flat Washer | | 1 |
| 15 | TS-1540071 | Hex Nut | M10 | 1 |
| 16 | TS-1503041 | Hex Socket Hd dHCap Screw | M6x16 | 1 |
| 17 | 05-42 | Washer | 6mm | 1 |
| 18 | 05-41 | Gear | 60T | 1 |
| 19 | GB1096-5X14 | Key, Dbl Rd Hd | 5x14 mm | 1 |
| 20 | TS-1504041 | Hex Socket Hd Cap Screw | M8x20 | 4 |
| 21 | ZX-H218 | Pin | 6x25 mm | 2 |
| 22 | GH1440K-05722 | Bracket | | 1 |
| 23 | TS-1550061 | Flat Washer | 8mm | 2 |
| 24 | TS-1504041 | Hex Socket Hd Cap Screw | M8x20 | 2 |
| 25 | PS1652T-105 | Phillips Pan Hd Machine Screw | M4x40 | 2 |
| 26 | QKS8-1 | Door Switch | | 1 |
| | ZH-SQ1 | Door Switch Assembly (includes #26, 32) | | 1 |
| 27 | C0632A-18704 | Bracket | | 1 |
| 28 | TS-1550021 | Flat Washer | 4 mm | 2 |
| 29 | TS-1551021 | Spring Washer | 4 mm | 2 |
| 30 | TS-1501051 | Hex Socket Hd Cap Screw | M4x16 | 7 |
| 31 | TS-1540021 | Hex Nut | M4 | 2 |
| 32 | QKS8-2 | Door Switch | | 1 |
| 33 | GH-1440K-05502 | Back Cover (senal#19090151and lower) | | 1 |
| | GH-1440K-02761 | Back Cover (senal#19110152and higher) | | 1 |
| 34 | GH1440K-05105 | Rear side plate | | 1 |
| 35 | ZX-H223 | Dowel Pin | 6h8x40 | 2 |
| 36 | TS-1503041 | Hex Socket Cap Screw | M6x16 | 8 |
| 37 | 1440R-08712 | Upper Hinge | | 2 |
| 38 | 1440R-08711 | Lower Hinge | | 2 |
| 39 | GH1440K-05106 | Front Plate | | 1 |
| 40 | GH-1440K-02760 | Cover (senal#20010089and higher) | | 1 |
| 41 | GB818-M5X10 | Screw (senal#20010089and higher) | M5X10 | 4 |

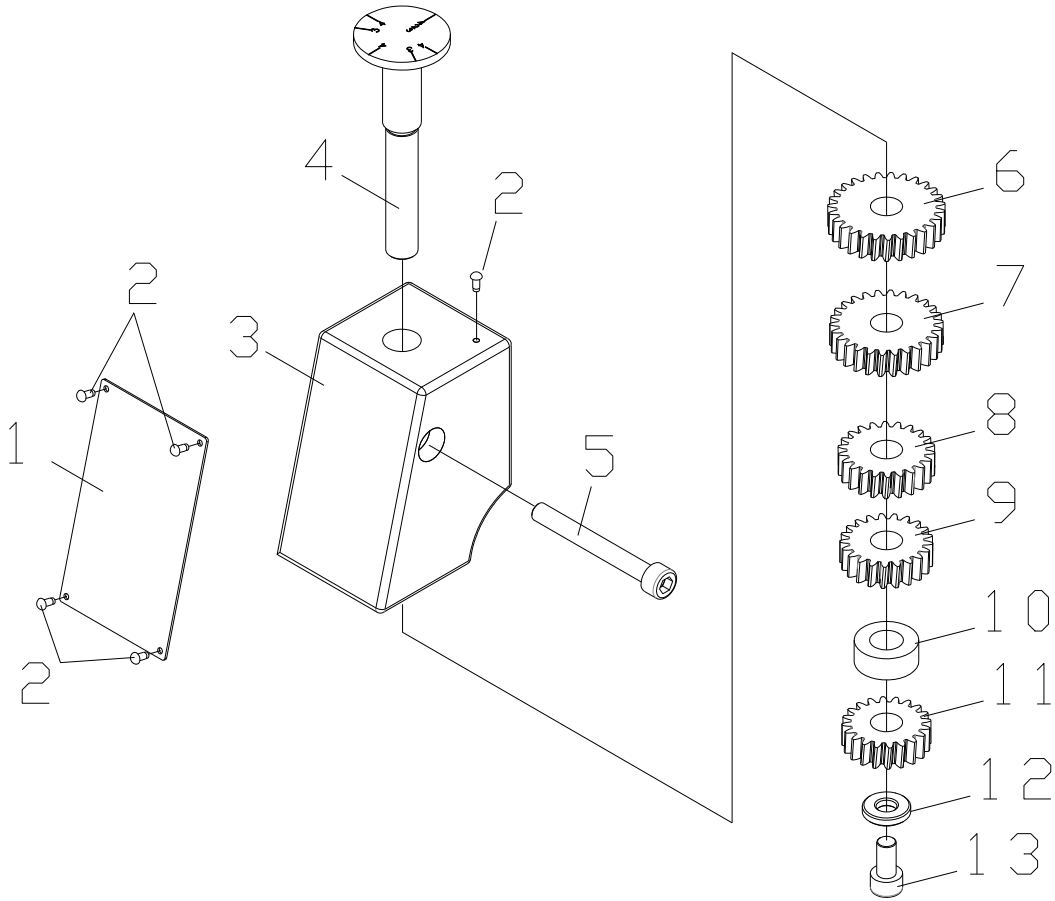
Follow Rest



Follow Rest

| Index No. | Part No. | Description | Size | Qty |
|-----------|----------------|-----------------------------------|-------|-----|
| | GH1440K-FRA | Follow Rest Assembly (#1 thru 10) | | |
| 1 | GH1440-09-02 | Knob | | 2 |
| 2 | TS-1523011 | Socket Set Screw | M6x6 | 2 |
| 3 | 10B-04 | Bushing | | 2 |
| 4 | 10B-05 | Screw | | 2 |
| 5 | 10B-02 | Sleeve | | 2 |
| 6 | 10B-06 | Brass Finger | | 1 |
| 8 | GH1440K-10709J | Socket Set Screw | | 2 |
| 9 | GH1440-09-01 | Follow Rest Body | | 1 |
| 10 | TS-1503101 | Hex Socket Hd Cap Screw | M8x45 | 2 |

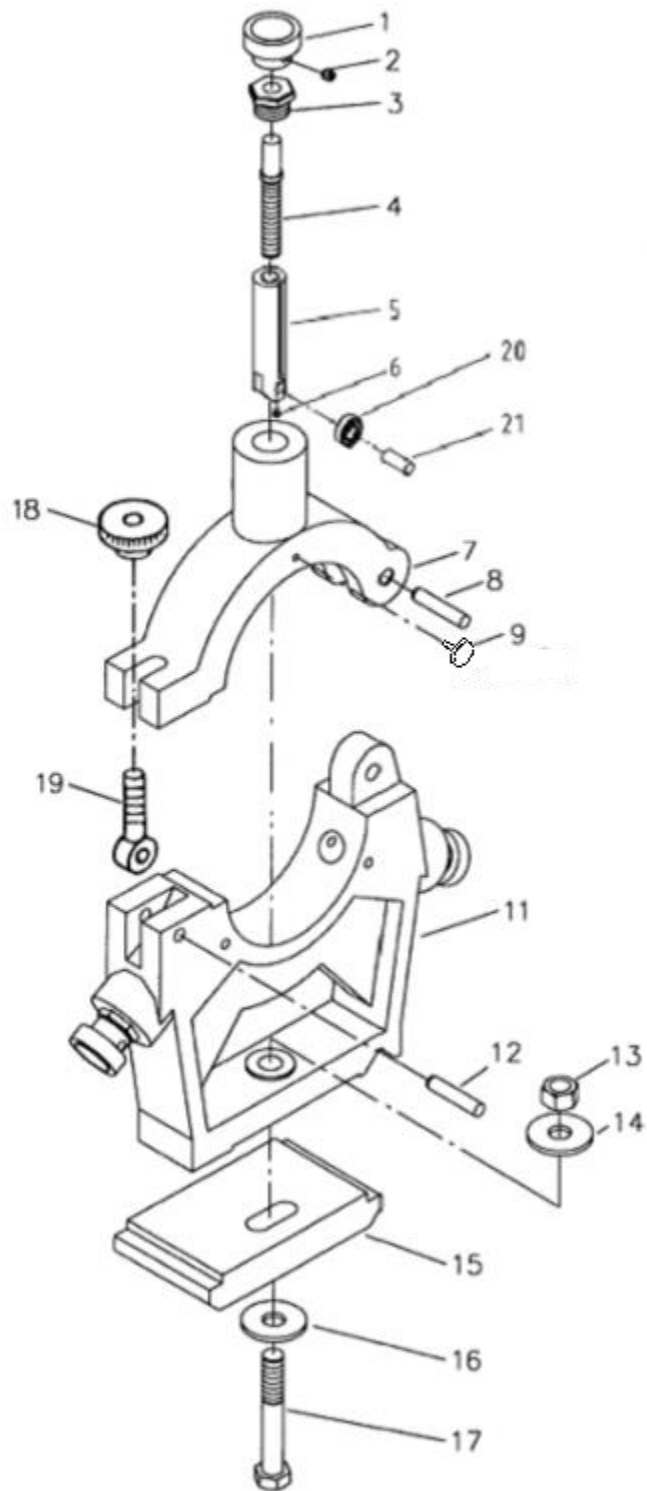
Thread Dial Assembly



Thread Dial Assembly

| Index No. | Part No. | Description | Size | Qty |
|-----------|----------------|--|-------|-----|
| | GH1440K-TDA | Thead Dial Assembly (includes #1 thru 9) | | 1 |
| 1 | GH1440K11305-2 | Label | | 1 |
| 2 | GB827-2x5 | Rivet | 2x5 | 5 |
| 3 | GH1340A11101 | Body | | 1 |
| 4 | GH1440K11701Jm | Shaft | | 1 |
| 5 | TS-1503111 | Hex Socket Cap Screw | M6x50 | 1 |
| 6 | GH1340A11303-5 | Gear | 27T | 1 |
| 7 | GH1340A11303-4 | Gear | 26T | 1 |
| 8 | GH1340A11303-3 | Gear | 22T | 1 |
| 9 | GH1340A11303-2 | Gear | 21T | 1 |
| 10 | GH1340A11702 | Collar | | 1 |
| 11 | GH1340A11303-1 | Gear | 20T | 1 |
| 12 | GH1340A11703 | Washer | | 1 |
| 13 | TS-1503031 | Hex Socket Cap Screw | M6x12 | 1 |

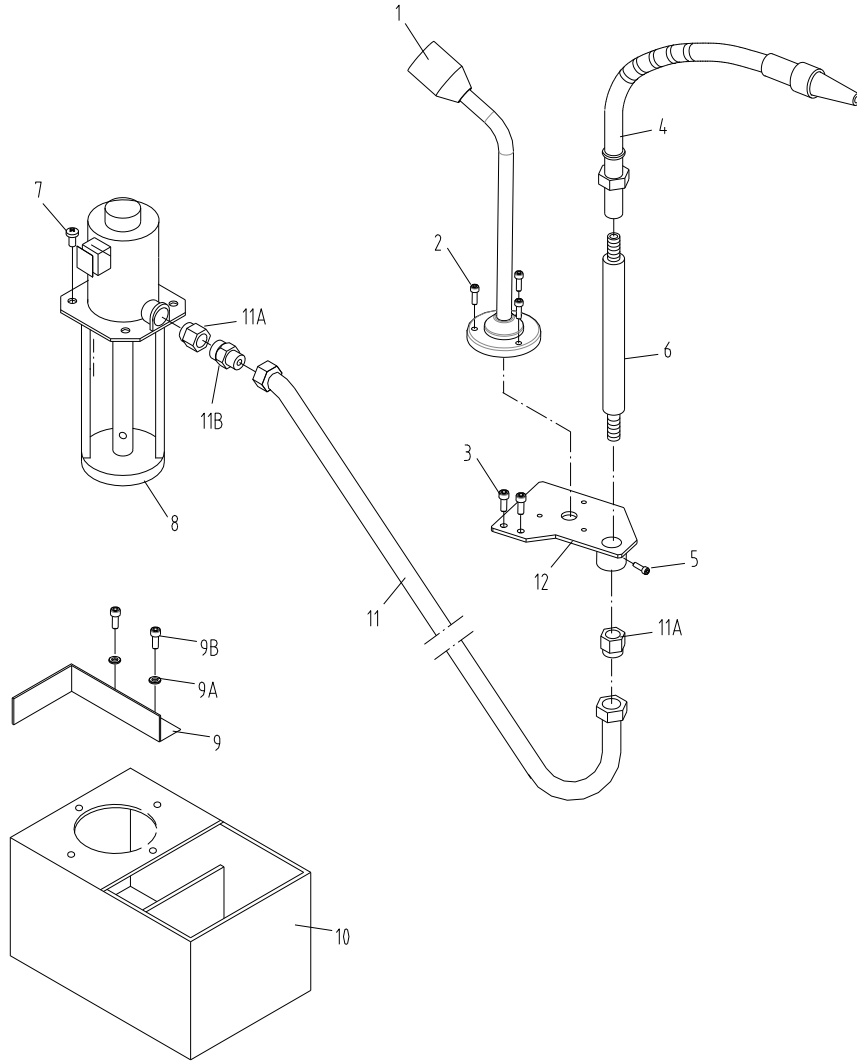
Steady Rest



Steady Rest

| Index No. | Part No. | Description | Size | Qty |
|-----------|----------------|-----------------------------------|---------|-----|
| | GH1440K-SRA | Steady Rest Assembly (#1 thru 21) | | 1 |
| 1 | GH1440-09-02 | Knob | | 3 |
| 2 | TS-1523011 | Socket Set Screw | M6x6 | 3 |
| 3 | 10A-05 | Bushing | | 3 |
| 4 | 10A-06 | Screw | | 3 |
| 5 | GH1440K-10704 | Sleeve | | 3 |
| 7 | 10A-03 | Steady Rest Upper Body | | 1 |
| 8 | F004047 | Dowel Pin | 8x40 mm | 1 |
| 9 | GH1440K-10709J | Screw | | 3 |
| 11 | GH1440-10-01 | Steady Rest Lower Body | | 1 |
| 12 | 10A-02 | Lock Pin | | 1 |
| 13 | TS-1540081 | Hex Nut | M12 | 1 |
| 14 | TS-1550081 | Washer | 12 mm | 1 |
| 15 | GH1440-10-02 | Clamp Plate | | 1 |
| 16 | TS-1550081 | Flat Washer | 12 mm | 1 |
| 17 | TS-1492081 | Hex Cap Bolt | M12x80 | 1 |
| 18 | GH1440K-1618 | Knurled Thumb Knob | | 1 |
| 19 | GH1440K-1619 | Pivot Stud | | 1 |
| 20 | BB-606 | Ball Bearing | 606 | 3 |
| 21 | GB119-6x18 | Pin | 6x18 mm | 3 |

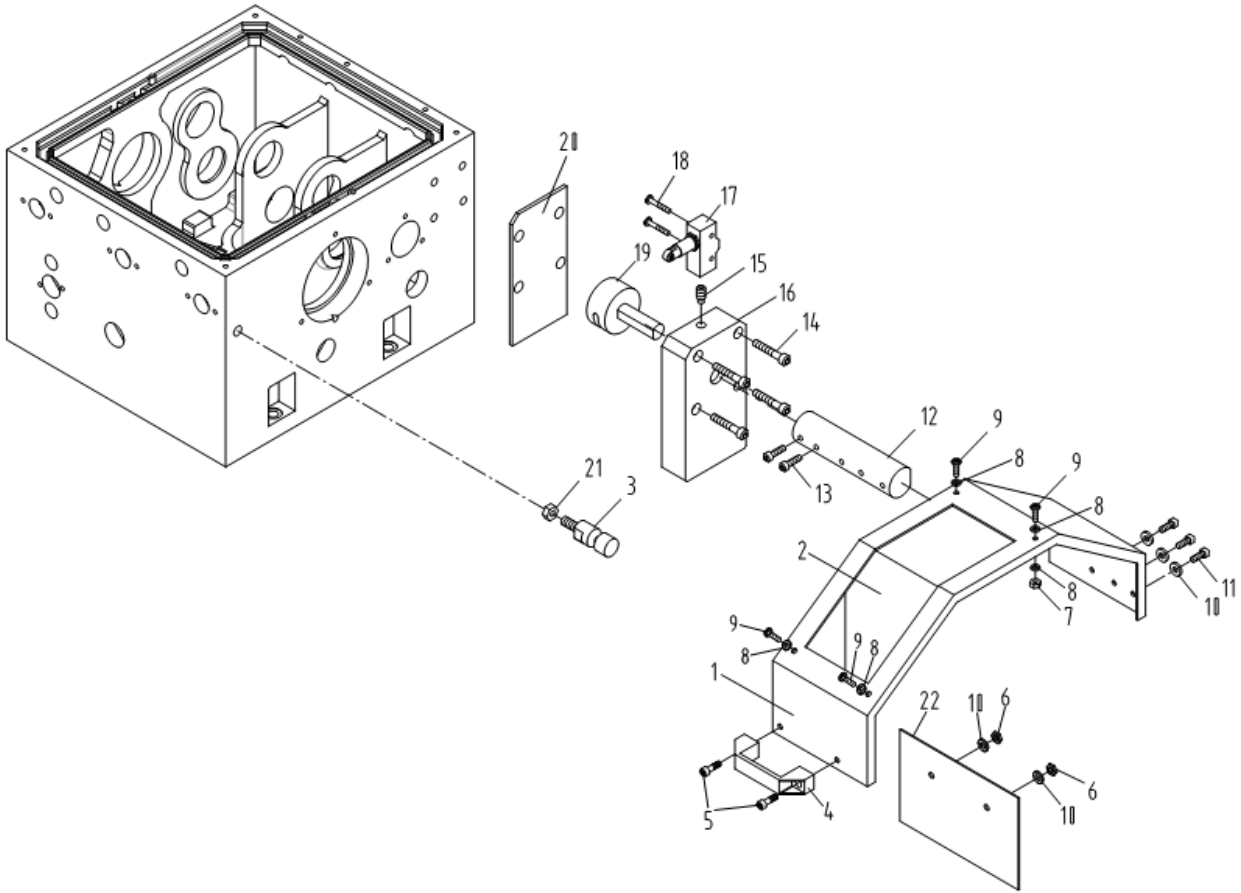
Coolant and Work Light Assembly



Coolant and Work Light Assembly

| Index No. | Part No. | Description | Size | Qty |
|-----------|---------------|-------------------------|--------|-----|
| 1 | GHB1340-EL | Work Light | | 1 |
| 2 | TS-1503051 | Hex Socket Hd Cap Screw | M6x20 | 3 |
| 3 | TS-1502051 | Hex Socket Hd Cap Screw | M5x20 | 3 |
| 4 | GH1440K-1704 | Coolant Nozzle | C2-77 | 3 |
| 5 | TS-1503041 | Hex Socket Hd Cap Screw | M6x16 | 1 |
| 6 | GHB1440A01739 | Rubber Tube | | 1 |
| 7 | TS-2246102 | Pan Head Screw | M6x10 | 4 |
| 8 | ZXCW04E | Coolant Pump | 3PH | 1 |
| 9 | GH1440K-C09 | Iron | | 1 |
| 9B | TS-2246162 | Hex Socket Cap Screw | M6X16 | 2 |
| 9A | TS-1550041 | Washer | 6 | 2 |
| 10 | GH1440K-01715 | Coolant Tank | | 1 |
| 11 | GH1440K-1711 | Tube | 600 mm | 1 |
| 11A | GH1440K-1711A | Pipe Joint | | 1 |
| 11B | GH1440K-1711B | Pipe Joint | | 1 |
| 12 | GH1440K-18711 | Support | | 1 |

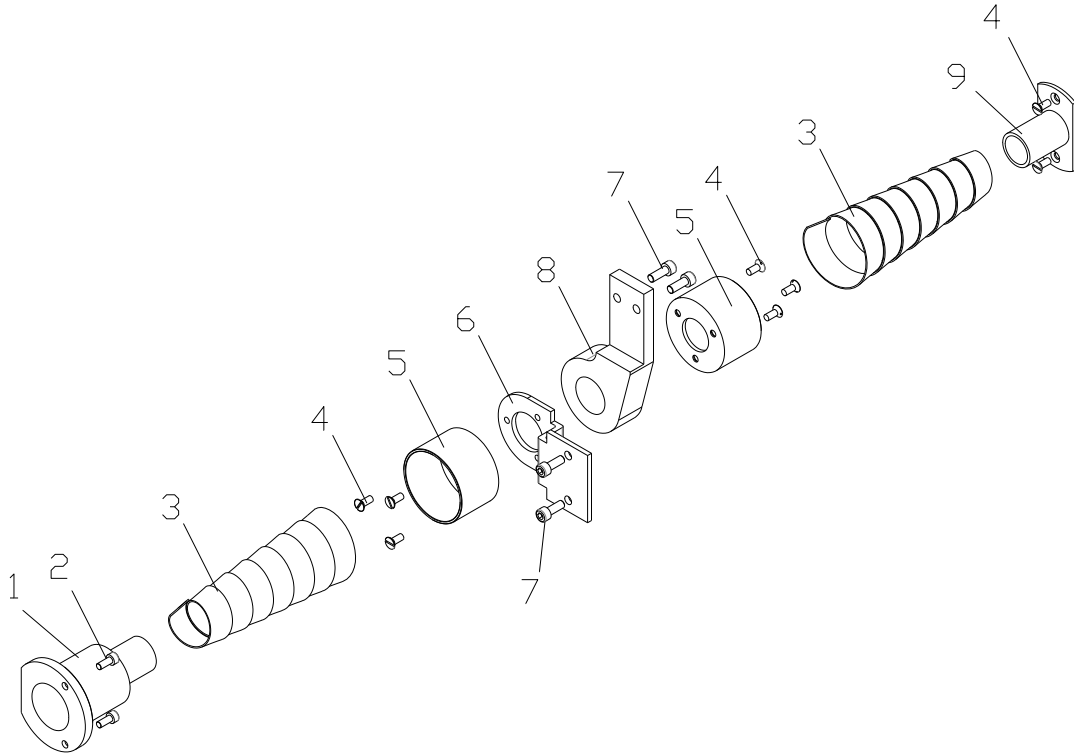
Chuck Guard Assembly



Index.. Part

| No. | No. | Description | Size | Qty. |
|-----|------------------|-------------------------------|-----------|------|
| 1 | GH-1440K-19701Jm | Protecting Guard | | 1 |
| 2 | GHB1340A-19501E | Protecting Guard Visual Glass | | 1 |
| 3 | ZX-19704E | Fixing Rod | | 1 |
| 4 | A=90 Black | Handle | | 1 |
| 5 | TS-1503031 | Hex Socket Cap Screw | M6x12 | 2 |
| 6 | TS-1540041 | Hexagon Nut | M6 | 2 |
| 7 | TS-1540021 | Hexagon Thin Nut | M4 | 4 |
| 8 | TS-1550021 | Flat Washer | 4 | 8 |
| 9 | TS-2244102 | Cross Point Pan Head Screw | M4x10 | 4 |
| 10 | TS-1550041 | Flat Washer | 6 | 5 |
| 11 | TS-2246162 | Hex Socket Cap Screw | M6x16 | 3 |
| 12 | GHB1340A-19703E | Rest Bar | | 1 |
| 13 | TS-1524021 | Slotted Set Screw | M8x10 | 2 |
| 14 | TS-1503071 | Hex Socket Cap Screw | M6x30 | 4 |
| 15 | TS-1524041 | Hex Socket Set Screw | M8x16 | 1 |
| 16 | GH1440A-19101E | Switch Box | | 1 |
| 17 | GHB1340A-SG17 | Stroke Switch | LXW5-11Q1 | 1 |
| 18 | GHB1340A-SG18 | Slotted Pan Head Screw | M4x25 | 2 |
| 19 | GHB1340A-19702E | Shaft | | 1 |
| 20 | ZX-19502E | Gasket | | 1 |
| 21 | TS-1540061 | Nut | M8 | 1 |
| 22 | GH1440K-19705A | Board | | 1 |
| | GH1440K-SQ1 | Brake Switch | TM1701 | 1 |

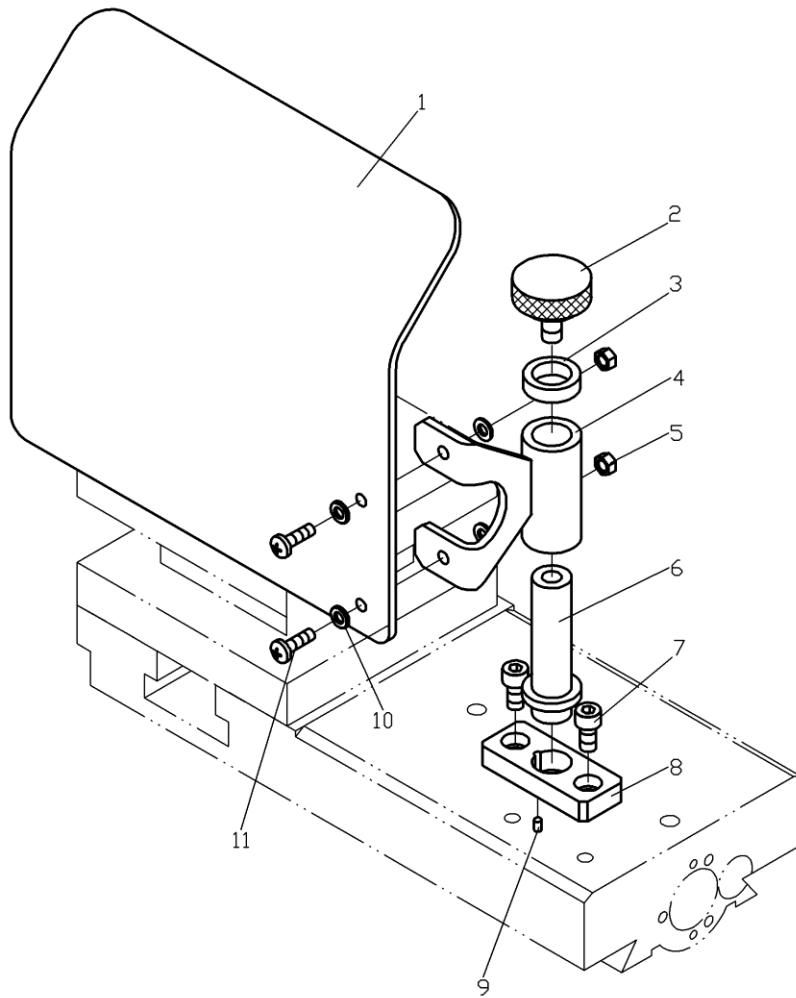
Lead Screw Cover Assembly



Lead Screw Cover Assembly

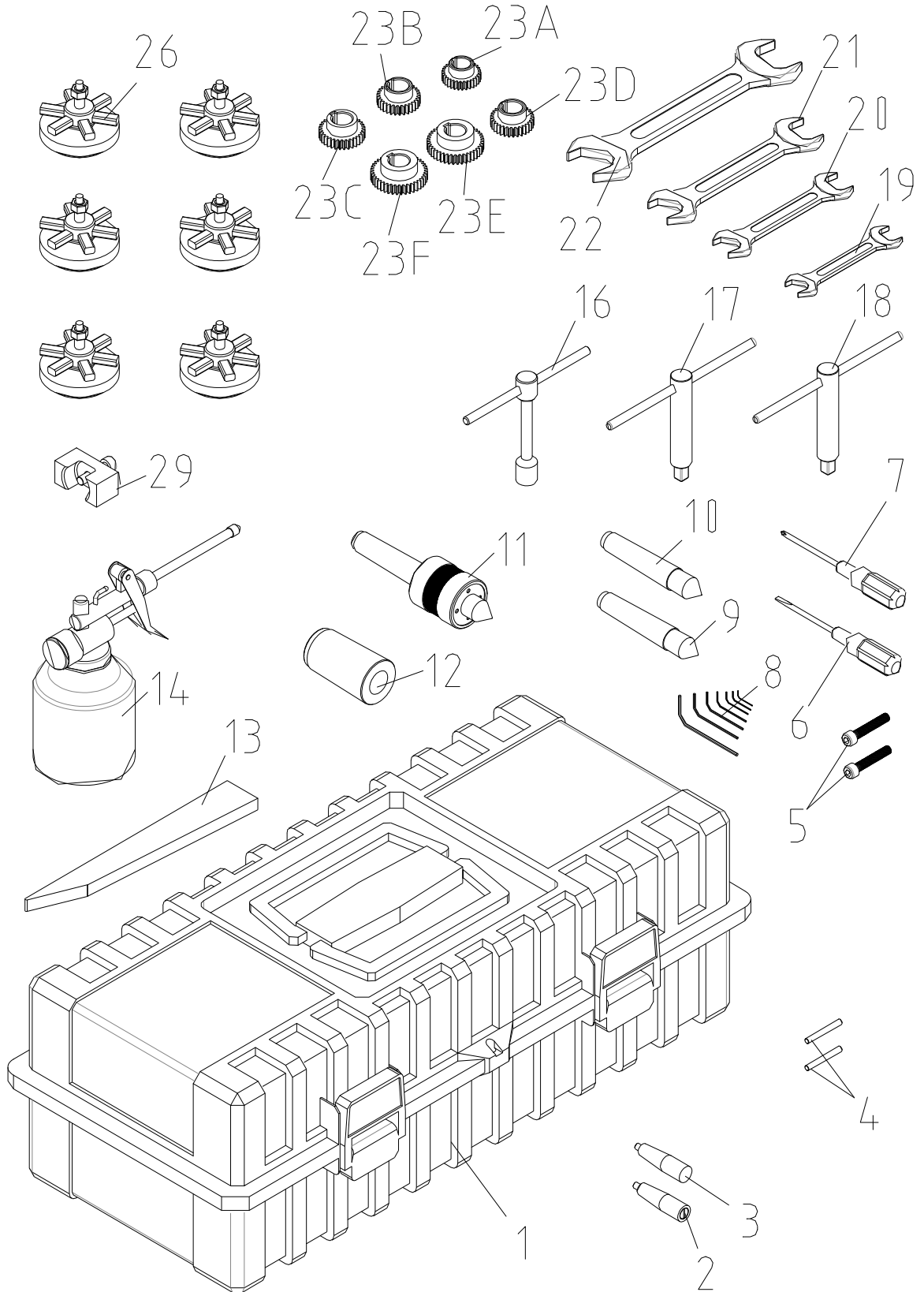
| Index No. | Part No. | Description | Size | Qty |
|-----------|----------------|----------------------------------|-------|-----|
| 1 | GH1440K-14701A | Left Flange | | 1 |
| 2 | TS-1502031 | Hex Socket Hd Cap Screw | M5x12 | 2 |
| 3 | LGB 28-900-70 | Telescoping Sleeve | | 2 |
| 4 | TS-2285121 | Phillips Flat Head Machine Screw | M5x12 | 8 |
| 5 | GH1440A-14702 | Cover | | 2 |
| 6 | GH1440K-14702 | Left Flange Bracket | | 1 |
| 7 | TS-1503041 | Hex Socket Hd Cap Screw | M6x16 | 4 |
| 8 | GH1440K-14101 | Right Flange Bracket | | 1 |
| 9 | GH1440A-14703 | Right Flange | | 1 |

Tool Post Guard



| Index No. | Part No. | Description | Size | Qty. |
|-----------|-----------------|--------------------------------|-------|------|
| 1 | GH1440K-TP01 | Shield | | 1 |
| 2 | GH1440A-20701 | Clamping Screw | | 1 |
| 3 | GH1440A-20703 | Spacer | | 1 |
| 4 | GH1440A-20704 | Sleeve | | 1 |
| 5 | TS-1540031 | Nut | M5 | 2 |
| 6 | GH1440A-20705-1 | Bracket | | 1 |
| 7 | TS-1503031 | Hex Socket Cap Screw | M6x12 | 2 |
| 8 | GH1440A-20705-2 | Bracket | | 1 |
| 9 | TS-1521031 | Slotted Set Screw | M4x8 | 1 |
| 10 | TS-1550031 | Flat Washer | 5 | 4 |
| 11 | TS-2245202 | Hexagon socket cap head screws | M5x20 | 2 |

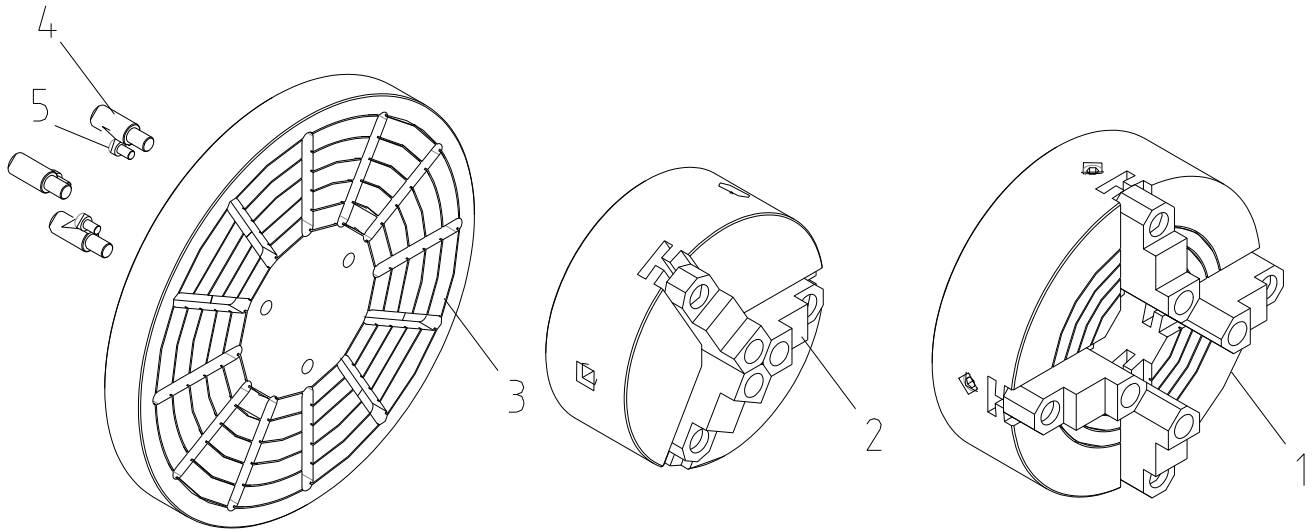
Accessories I



Accessories I

| Index No. | Part No. | Description | Size | Qty |
|-----------|-----------------|-------------------------------|-------------------------|-----|
| 1 | GH1440K-A01 | Tool Box | | 1 |
| 2 | GH1440-06-11 | Handle Sleeve | | 1 |
| | GH1440-06-10 | Handle Lever | | 1 |
| 3 | GH1440A-06719 | Handle Sleeve | | 1 |
| 4 | GB879-4x35 | Shear Pins | 4X35 | 2 |
| 5 | TS-1504091 | Hex Socket Cap Screw | M8X45 | 2 |
| 6 | GH1440K-A06 | No. 1 Flat Blade Screwdriver | | 1 |
| 7 | GH1440K-A07 | No. 1 Cross Point Screwdriver | | 1 |
| 8 | GH1440K-A08 | Hex Key | 2, 2.5, 3, 4, 5, 6, 8mm | 7 |
| 9 | C0632-09703 | Dead Center | MT-3(Alloy) | 1 |
| 10 | C0632-09702 | Dead Center | MT-3 | 1 |
| 11 | GH1440K-A11 | Live Center | MT-3 | 1 |
| 12 | C0632-09701 | Spindle Sleeve | No. 5 to No. 3 | 1 |
| 13 | 1440R-F001 | Taper Piece | | 1 |
| 14 | GH1440K-A14 | Oil Gun | | 1 |
| 16 | C0632-04726 | Rod Of Tool Post Wrench | | 1 |
| | C0632-04727 | Tool Post Wrench | | 1 |
| 17 | C0632-09705 | Rod Of The Key for Cam Locks | | 1 |
| | C0632-09704 | Key for Cam Locks | | 1 |
| 18 | GH1440K-A18 | Chuck Key | | 1 |
| 19 | GH1440K-A19 | Open End Wrench | 9-11mm | 1 |
| 20 | GH1440K-A20 | Open End Wrench | 10-12mm | 1 |
| 21 | GH1440K-A21 | Open End Wrench | 12-14mm | 1 |
| 22 | GH1440K-A22 | Open End Wrench | 17-19mm | 1 |
| 23A | GH1440K-G24T | Change Gear | 24T | 1 |
| 23B | GH1440K-G32T | Change Gear | 32T | 1 |
| 23C | GH1440K-G40T | Change Gear | 40T | 1 |
| 23D | GH1440K-G65T | Change Gear | 65T | 1 |
| 23E | GH1440K-G66T | Change Gear | 66T | 1 |
| 23F | GH1440K-G70T | Change Gear | 70T | 1 |
| 26 | DTH-110 | Pads | M14×80 | 6 |
| 29 | GH-1440K01727Jm | Gap-bridge pin drive | | 1 |
| | TS-1502051 | Hex Socket Cap Screw | M5X20 | 1 |

Accessories II



Accessories II

| Index No. | Part No. | Description | Size | Qty |
|-----------|-------------|---|-------|-----|
| 1 | K72 200/D4 | Four Jaw Chuck with Camlock Stud | 8" | 1 |
| 2 | K11 160A/D4 | Three Jaw Chuck with Camlock Stud(Direct Mount) | 6" | 1 |
| 3 | C0632-09101 | Face Plate | 12" | 1 |
| 4 | C0632-02722 | Camlock Stud | | 3 |
| 5 | TS-1503021 | Hex Socket Cap Screw | M6X10 | 3 |

Electrical Components

| Index No. | Part No | Description | Size | Qty. |
|-----------|-------------|------------------------|------------|------|
| 1 | GH1440K-KM1 | Magnetic Starter | LC1-D2501 | 1 |
| 2 | GH1440K-KM2 | Magnetic Starter | LC1-D2501 | 1 |
| 3 | GH1440K-KM3 | Coolant Pump Contactor | CA2-DN40B7 | 1 |
| 4 | GH1440K-KA1 | Control Contactor | CA2-DN40B7 | 1 |
| 5 | GH1440K-QF3 | Breaker | DZ47-63 | 1 |
| 6 | GH1440K-QF3 | Breaker | DZ47-63 | 1 |
| 7 | GH1440K-FR1 | Motor Overload Relay | LR2-D1310N | 1 |
| 8 | GH1440K-FR2 | Motor Overload Relay | LR2-D1302N | 1 |
| 9 | GH1440K-TC | Transformer | JBK5-100TH | 1 |
| 10 | GH1440K-SQ2 | Door Switch | QKS8 | 1 |
| 11 | GH1440K-QS1 | Power On/Off Switch | VCD0 | 1 |
| 12 | GH1440K-SQ1 | Brake Switch | TM-1701 | 1 |
| 13 | GH1440K-SB1 | Off Switch | ZB2-BS54C | 1 |
| 14 | GH1440K-SB2 | Jog Switch | ZB2BA3C | 1 |
| 15 | GH1440K-HL | Power Indicator Light | XB7-EVF3LC | 1 |
| 16 | GH1440K-SA2 | Coolant Pump Switch | ZB2-BD2C | 1 |
| 17 | GH1440K-SQ3 | Forward Switch | TM1306 | 1 |
| 18 | GH1440K-SQ4 | Reverse Switch | TM1306 | 1 |
| 19 | GH1440K-EL | Lamp | JC34A | 1 |
| 20 | GH1440-M1-3 | Main Motor | 400V | 1 |
| 21 | ZXCW04E | Coolant Pump | 3PH | 1 |

