



JUM-1153VXL DRO

Milling Machine

50000851T 3~400V 50Hz

PARTS LIST



JPW Tool Group Hong Kong Limited

98 Granville Road, Tsimshatsui East, Kowloon, Hong Kong, PRC

www.jettools.com

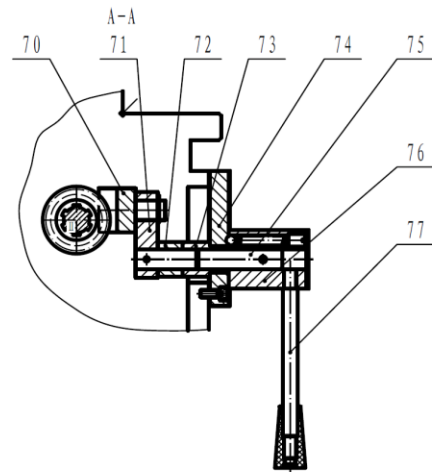
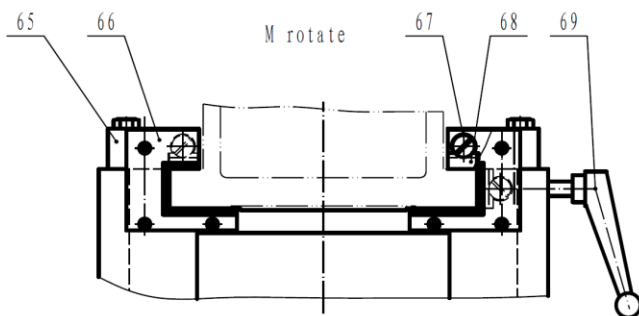
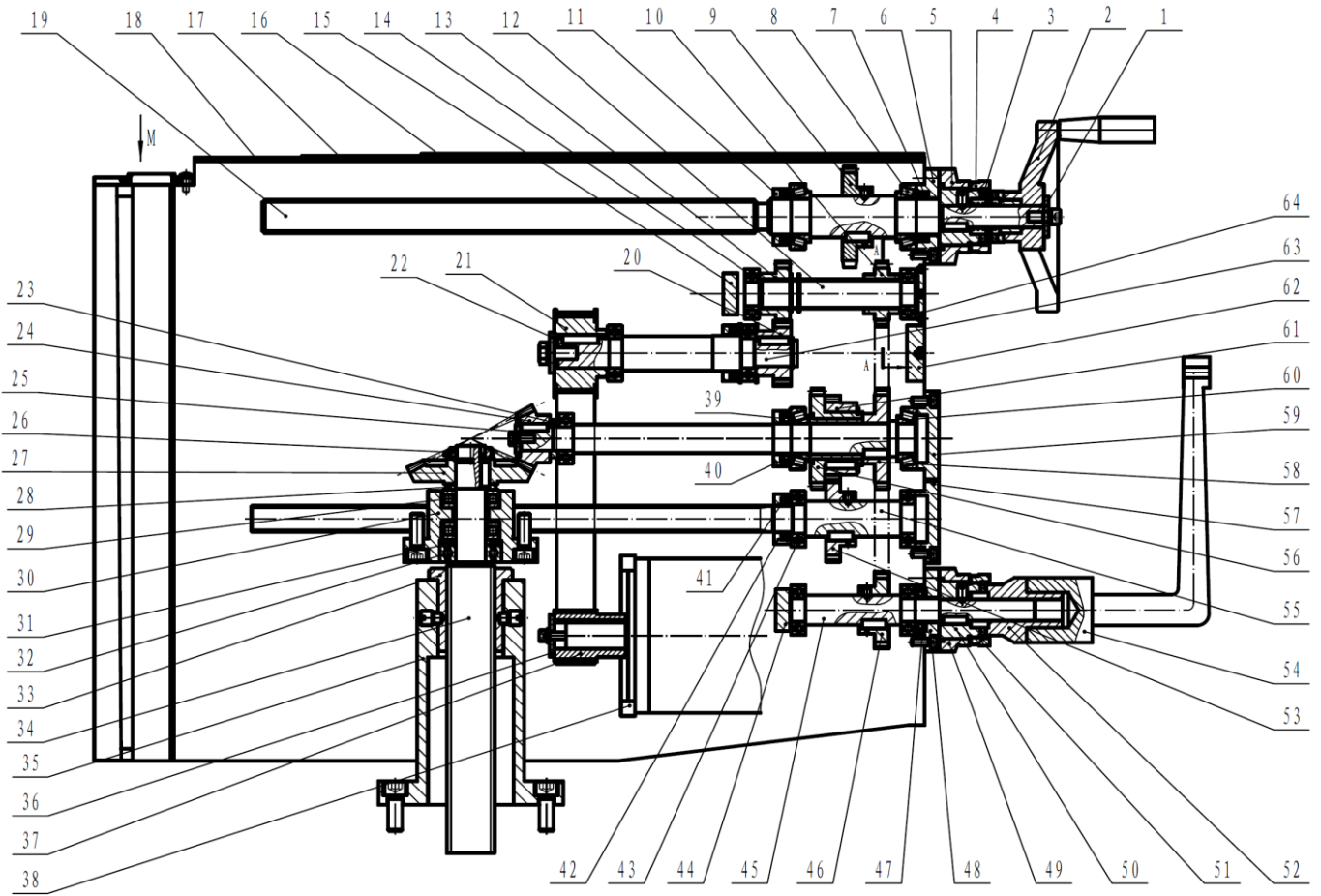
Импортер в РФ: ООО «ИТА Технолджи»

105082, Москва, Переведеновский пер., д. 17

www.jettools.ru

Made in PRC / Сделано в КНР

Exploded View for JUM-1153VXL DRO Milling Machine – Elevator table Assembly A



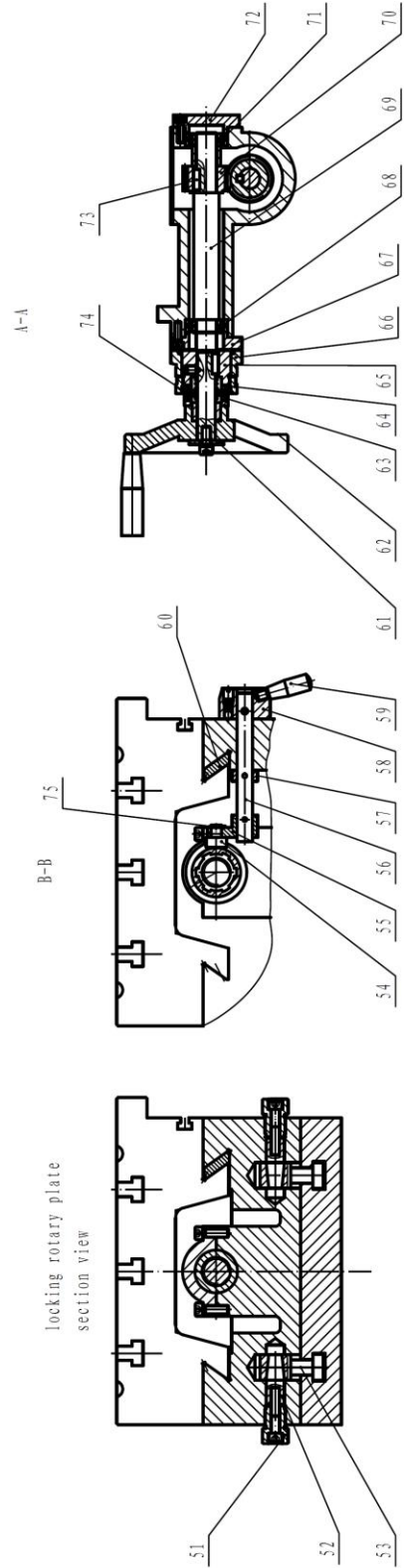
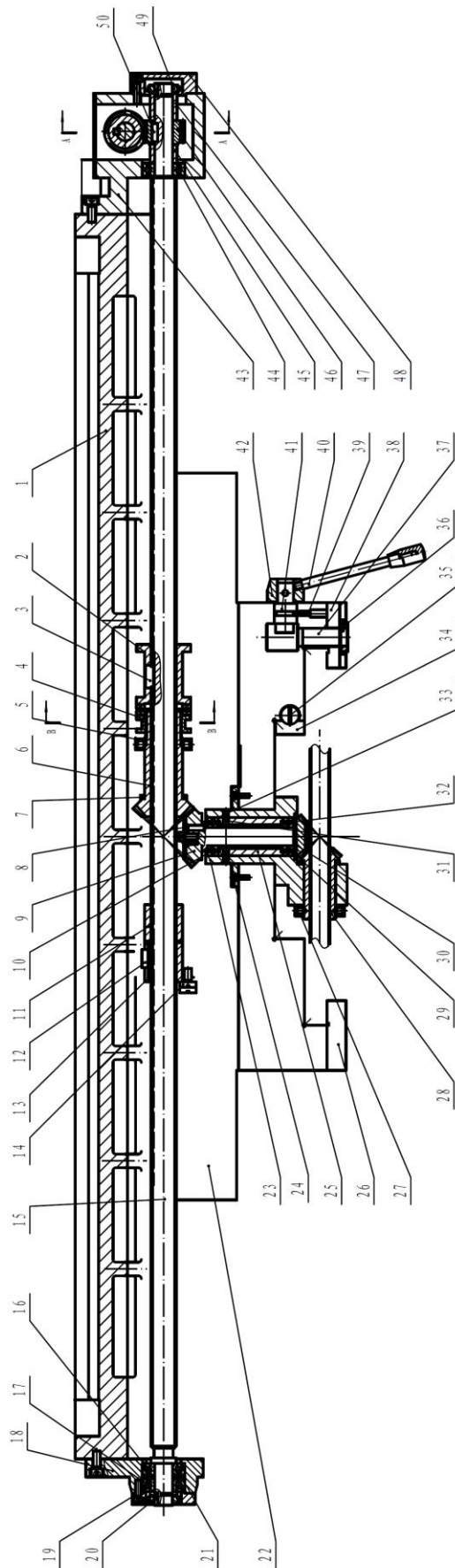
Part List for JUM-1153VXL DRO Milling Machine – Elevator table Assembly A

Index No.	Part No.	Description	Size	Qty.
1	JM125-A-001	Cushion		1
2	JM125-A-002	Hand Wheel		1
3	JM125-A-003	Coupling		1
4	JM125-A-004	Nut		1
5	JM125-A-005	Calibration Loop		1
6	JM125-A-006	Flange Plate		1
7	JM125-A-007	Skeleton Oil Seal	FB30x42x7	3
8	JM125-A-008	Tapered Roller Bearing	32006	2
9	JM125-A-009	Gear		1
10	JM125-A-010	Gear		1
11	JM125-A-011	Sheath		1
12	JM125-A-012	Spline Shaft		1
13	JM125-A-013	Gear		1
14	JM125-A-014	Deep Groove Ball Bearing	6004	5
15	JM125-A-015	Block		1
16	JM125-A-016	Splash Guard		1
17	JM125-A-017	Splash Guard		1
18	JM125-A-018	Splash Guard		1
19	JM125-A-019	Horizontal Screw		1
20	JM125-A-020	Gear		1
21	JM125-A-021	Synchronous Pulley		1
22	JM125-A-022	Cushion		1
23	JM125-A-023	Cushion		1
24	JM125-A-024	Bevel Gear		1
25	JM125-A-025	Cushion		1
26	JM125-A-026	Round Nut	M24x1.5	1
27	JM125-A-027	Bevel Gear		1
28	JM125-A-028	Cushion		1
29	JM125-A-029	Thrust Ball Bearing	51205	2
30	JM125-A-030	Flange Plate		1
31	JM125-A-031	Cushion		1
32	JM125-A-032	Deep Groove Ball Bearing	6205	1
33	JM125-A-033	Lifting Nut		1
34	JM125-A-034	Lifting Screw		1
35	JM125-A-035	Sleeve		1
36	JM125-A-036	Cushion		1
37	JM125-A-037	Synchronous Pulley		1
38	JM125-A-038	Flange Plate		1
39	JM125-A-039	Skeleton Oil Seal	FB25x40x7	1
40	JM125-A-040	Sheath		1
41	JM125-A-041	Skeleton Oil Seal	FB22x35x7	1
42	JM125-A-042	Sheath		1
43	JM125-A-043	Deep Groove Ball Bearing	6005	4
44	JM125-A-044	Block		1
45	JM125-A-045	Axis	FB20x35x7	1
46	JM125-A-046	Gear		1
47	JM125-A-047	Skeleton Oil Seal		1
48	JM125-A-048	Flange Plate		1
49	JM125-A-049	Calibration Loop		1
50	JM125-A-050	Coupling		1
51	JM125-A-051	Nut		1
52	JM125-A-052	Coupling		1
53	JM125-A-053	Gear		1
54	JM125-A-054	Lifting Crank		1
55	JM125-A-055	Axis		1
56	JM125-A-056	Gear		1
57	JM125-A-057	Flange Plate		1
58	JM125-A-058	Gear		1

Part List for JUM-1153VXL DRO Milling Machine – Elevator table Assembly A

Index No.	Part No.	Description	Size	Qty.
59	JM125-A-059	Flange Plate		1
60	JM125-A-060	Tapered Roller Bearing	30205	2
61	JM125-A-061	Gear		1
62	JM125-A-062	Block		1
63	JM125-A-063	Axis		1
64	JM125-A-064	Block		1
65	JM125-A-065	Pressing Plate		2
66	JM125-A-066	Scraping Crumbs Plate		2
67	JM125-A-067	Screw		3
68	JM125-A-068	Rack		3
69	JM125-A-069	Lock Handle		2
70	JM125-A-070	Shifting Block		1
71	JM125-A-071	Swing Arm		1
72	JM125-A-072	Bush		1
73	JM125-A-073	Sheath		1
74	JM125-A-074	Cover		1
75	JM125-A-075	Axis		1
76	JM125-A-076	Handle Seat		1
77	JM125-A-077	Handle		1

Exploded View for JUM-1153VXL DRO Milling Machine – Table Assembly B



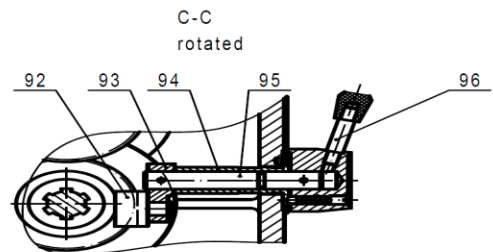
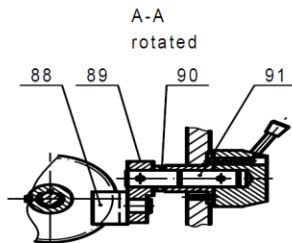
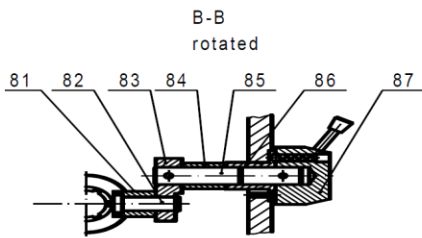
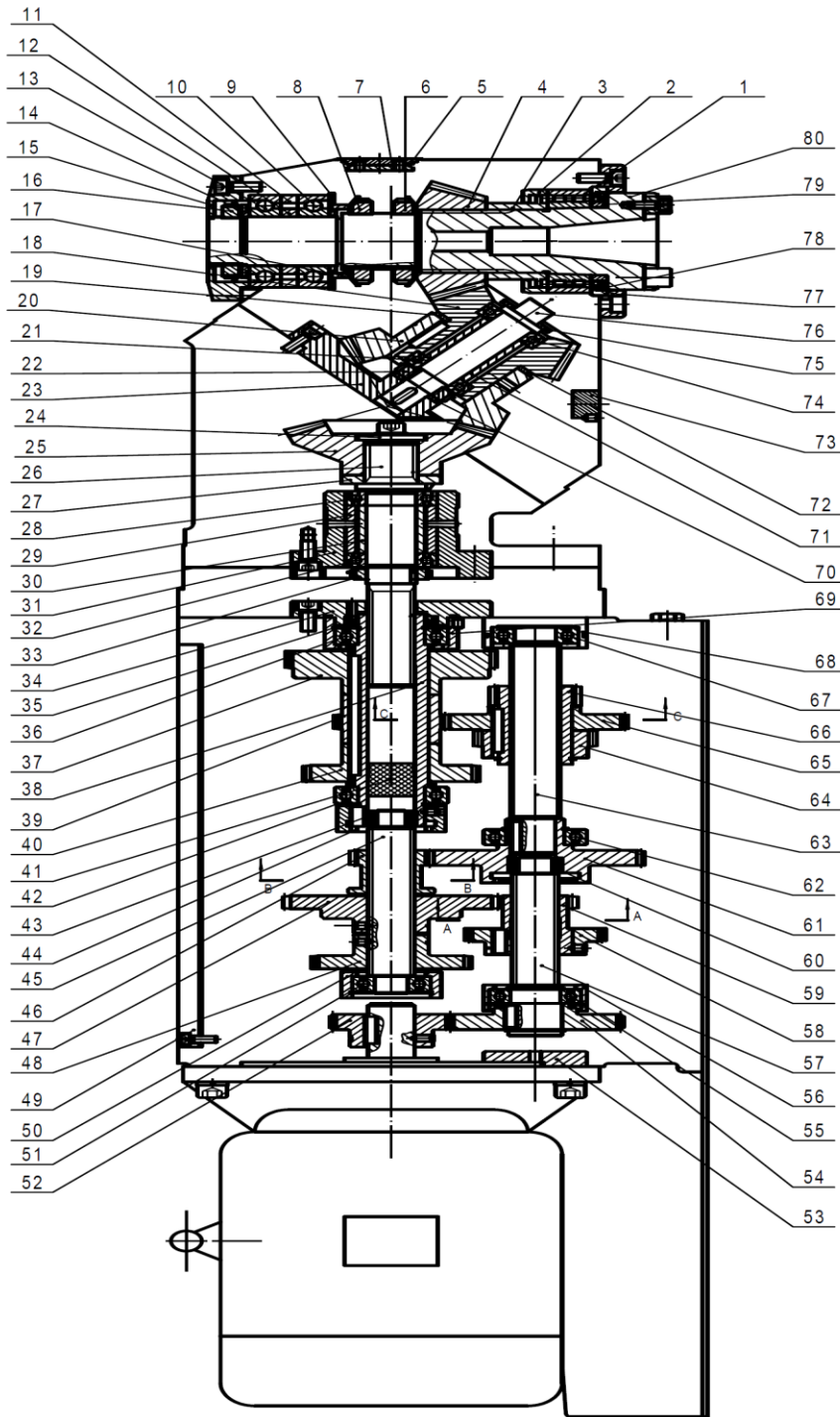
Part List for JUM-1153VXL DRO Milling Machine – Table Assembly B

Index No.	Part No.	Description	Size	Qty.
1	JM125-B-001	Work Table		1
2	JM125-B-002	Clutch		1
3	JM125-B-003	Keyway		1
4	JM125-B-004	Clutch		1
5	JM125-B-005	Sheath		1
6	JM125-B-006	Bevel Gear		1
7	JM125-B-007	Adjustable Pad		1
8	JM125-B-008	Pad		1
9	JM125-B-009	Bevel Gear		1
10	JM125-B-010	Deep Groove Ball Bearing	6004	1
11	JM125-B-011	Vertical Nut		1
12	JM125-B-012	General Flat Key	6x20	1
13	JM125-B-013	Vertical Screw		1
14	JM125-B-014	Screw		2
15	JM125-B-015	Vertical Screw		1
16	JM125-B-016	Angular Contact Ball Bearing	7204AC	1
17	JM125-B-017	Angular Contact Ball Bearing	7204AC	1
18	JM125-B-018	Bracket		1
19	JM125-B-019	Flange Plate		1
20	JM125-B-020	Round Nut	M20x1.5	1
21	JM125-B-021	Pad		1
22	JM125-B-022	Rotary Disk		1
23	JM125-B-023	Bracket		1
24	JM125-B-024	Flange Plate		1
25	JM125-B-025	Bush		1
26	JM125-B-026	Platen		1
27	JM125-B-027	Sheath		1
28	JM125-B-028	Bevel Gear		1
29	JM125-B-029	Adjustable Pad		1
30	JM125-B-030	Bevel Gear		1
31	JM125-B-031	Taper Pin	A6x16	2
32	JM125-B-032	Deep Groove Ball Bearing	6004	1
33	JM125-B-033	Adjustable Pad		1
34	JM125-B-034	Lateral Rack		1
35	JM125-B-035	Screw		1
36	JM125-B-036	Round Nut	M20x1.5	1
37	JM125-B-037	Locking Shaft		1
38	JM125-B-038	Platen		1
39	JM125-B-039	Slotted Set Screws With Long Dog Point	M5x16	
40	JM125-B-040	Handle Shaft		1
41	JM125-B-041	Eccentric Shaft		1
42	JM125-B-042	Handle Seat		1
43	JM125-B-043	Bracket		1
44	JM125-B-044	Deep Groove Ball Bearing	6204-2RZ	1
45	JM125-B-045	Bush		1
46	JM125-B-046	Helical Gear		1
47	JM125-B-047	Bush		1
48	JM125-B-048	Flange Plate		1
49	JM125-B-049	Round Nut	M20x1.5	1
50	JM125-B-050	General Flat Key	A6x20	1
51	JM125-B-051	Lock Nut		4
52	JM125-B-052	Axis Pin		4
53	JM125-B-053	Locking Shaft		4
54	JM125-B-054	Shifting Block		1
55	JM125-B-055	Rocker Arm		1
56	JM125-B-056	Axis		1
57	JM125-B-057	Sheath		1
58	JM125-B-058	Handle Seat		1

Part List for JUM-1153VXL DRO Milling Machine – Table Assembly B

Index No.	Part No.	Description	Size	Qty.
59	JM125-B-059	Handle Bar		1
60	JM125-B-060	Rack		1
61	JM125-B-061	Pad		1
62	JM125-B-062	Hand Wheel		1
63	JM125-B-063	Clutch		1
64	JM125-B-064	Hand Wheel		1
65	JM125-B-065	Clutch		1
66	JM125-B-066	Calibration Loop		1
67	JM125-B-067	Flange Plate		1
68	JM125-B-068	Deep Groove Ball Bearing	6004-2RZ	1
69	JM125-B-069	Axis		
70	JM125-B-070	Helical Gear		
71	JM125-B-071	Deep Groove Ball Bearing	6004-2RZ	1
72	JM125-B-072	Flange Plate		
73	JM125-B-073	General Spring	A6x20	1
74	JM125-B-074	Compression Spring		1
75	JM125-B-075	Retainers For Shaft-A-Type	10	
59	JM125-B-059	Handle Bar		1
60	JM125-B-060	Rack		1
61	JM125-B-061	Pad		1
62	JM125-B-062	Hand Wheel		1
63	JM125-B-063	Clutch		1
64	JM125-B-064	Hand Wheel		1
65	JM125-B-065	Clutch		1
66	JM125-B-066	Calibration Loop		1
67	JM125-B-067	Flange Plate		1
68	JM125-B-068	Deep Groove Ball Bearing	6004-2RZ	1
69	JM125-B-069	Axis		
70	JM125-B-070	Helical Gear		
71	JM125-B-071	Deep Groove Ball Bearing	6004-2RZ	1
72	JM125-B-072	Flange Plate		
73	JM125-B-073	General Spring	A6x20	1
74	JM125-B-074	Compression Spring		1
75	JM125-B-075	Retainers For Shaft-A-Type	10	

Exploded View for JUM-1153VXL DRO Milling Machine – Tool RAM & Milling Head Assembly C



Part List for JUM-1153VXL DRO Milling Machine – Tool RAM & Milling Head Assembly C

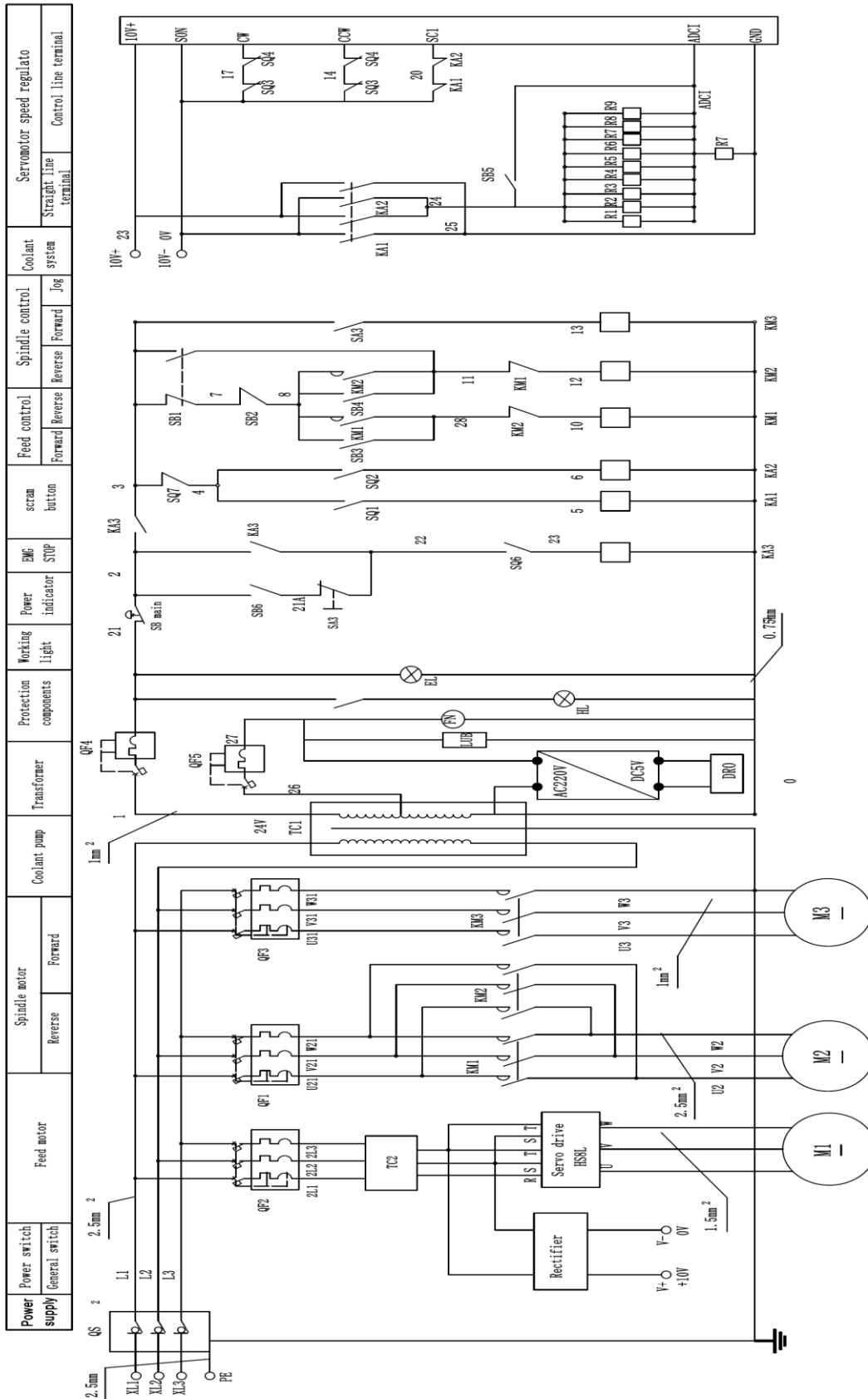
Index No.	Part No.	Description	Size	Qty.
1	JM125-C-001	Conical double row cylindrical bearings	NN3012K/P5	1
2	JM125-C-002	cushion		1
3	JM125-C-003	sheath		1
4	JM125-C-004	bevel gear		1
5	JM125-C-005	cover		1
6	JM125-C-006	cushion		1
7	JM125-C-007	round nut	M52x1.5	1
8	JM125-C-008	round nut	M52x1.5	1
9	JM125-C-009	hole collar	85	1
10	JM125-C-010	angular contact ball bearing	7209AC/P5	1
11	JM125-C-011	cushion		1
12	JM125-C-012	cushion		1
13	JM125-C-013	cushion		1
14	JM125-C-014	cushion		1
15	JM125-C-015	angular contact ball bearing	7209AC/P5	1
16	JM125-C-016	round nut	M45x1.5	1
17	JM125-C-017	flange plate		1
18	JM125-C-018	bevel gear		1
19	JM125-C-019	adjustable cushion		1
20	JM125-C-020	bevel gear		1
21	JM125-C-021	angular contact ball bearing	7005AC	1
22	JM125-C-022	round nut	M25x1.5	1
23	JM125-C-023	flange plate		1
24	JM125-C-024	cushion		1
25	JM125-C-025	bevel gear		1
26	JM125-C-026	spline shaft		1
27	JM125-C-027	cushion		1
28	JM125-C-028	angular contact ball bearing	7006AC	1
29	JM125-C-029	sheath		1
30	JM125-C-030	sheath		1
31	JM125-C-031	flange plate		1
32	JM125-C-032	angular contact ball bearing	7006AC	1
33	JM125-C-033	round nut	M30x1.5	1
34	JM125-C-034	flange plate		1
35	JM125-C-035	skeleton oil seal	FB40x55x8	1
36	JM125-C-036	deep groove ball bearing	6008	1
37	JM125-C-037	spline housing		1
38	JM125-C-038	drip pan		1
39	JM125-C-039	deep groove ball bearing	6009	1
40	JM125-C-040	gear		1
41	JM125-C-041	gear		1
42	JM125-C-042	gear		1
43	JM125-C-043	block		1
44	JM125-C-044	deep groove ball bearing	6008	1
45	JM125-C-045	deep groove ball bearing	61903	2
46	JM125-C-046	internal gear		1
47	JM125-C-047	spline shaft		1
48	JM125-C-048	gear		1
49	JM125-C-049	gear		1
50	JM125-C-050	gear		1
51	JM125-C-051	sheath		1
52	JM125-C-052	deep groove ball bearing	6204	1
53	JM125-C-053	cover		1
54	JM125-C-054	gear		1
55	JM125-C-055	block		1
56	JM125-C-056	gear		1
57	JM125-C-057	deep groove ball bearing	6006	1
58	JM125-C-058	sheath		

Part List for JUM-1153VXL DRO Milling Machine – Tool RAM & Milling Head Assembly C

Index No.	Part No.	Description	Size	Qty.
59	JM125-C-059	spline shaft		
60	JM125-C-060	gear		
61	JM125-C-061	gear		
62	JM125-C-062	deep groove ball bearing	61804	2
63	JM125-C-063	gear		1
64	JM125-C-064	deep groove ball bearing	6007	1
65	JM125-C-065	spline shaft		1
66	JM125-C-066	gear		1
67	JM125-C-067	gear		1
68	JM125-C-068	gear		1
69	JM125-C-069	deep groove ball bearing	6205	1
70	JM125-C-070	sheath		1
71	JM125-C-071	oil flinger		1
72	JM125-C-072	sheath		1
73	JM125-C-073	block		1
74	JM125-C-074	cushion		1
75	JM125-C-075	sheath		1
76	JM125-C-076	cushion		1
77	JM125-C-077	block		1
78	JM125-C-078	angular contact ball bearing	7006AC	1
79	JM125-C-079	adjustable cushion		1
80	JM125-C-080	axis		1
81	JM125-C-081	flange plate		1
82	JM125-C-082	cushion		1
83	JM125-C-083	cushion		1
84	JM125-C-084	spindle		1
85	JM125-C-085	shifting block		1
86	JM125-C-086	axis		1
87	JM125-C-087	swing arm		1
88	JM125-C-088	sheath		1
89	JM125-C-089	axis		1
90	JM125-C-090	sheath		3
91	JM125-C-091	handle seat		3
92	JM125-C-092	shifting fork		1
93	JM125-C-093	swing arm		1
94	JM125-C-094	sheath		1
95	JM125-C-095	axis		1
96	JM125-C-096	shifting fork		1
97	JM125-C-097	swing arm		1
98	JM125-C-098	sheath		1
99	JM125-C-099	axis		1
100	JM125-C-100	handle		3

Wiring Diagram for JUM-1153VXL DRO

50000851T 3~400V 50Hz



Power supply	General switch	Feed motor		Spindle motor		Coolant pump	Transformer	Protection components	Working light	Power indicator	EMC STOP button	Feed control		Spindle control		Coolant system	Servomotor speed regulator	
		Forward	Reverse	Forward	Reverse							Forward	Reverse	Straight line terminal	Control line terminal			

Packing List --Main machine, accessories and tools

No.	Description	Size	Qty.	Remarks
1	Main machine		1	
2	Allen wrench	5	1	
3	Allen wrench	6	1	
4	Allen wrench	10	1	
5	Allen wrench	12	1	
6	Wrench	17x19	1	
7	Wrench	22x24	1	
8	Wrench	32x36	1	
9	Lifting crank		1	
10	Plain vice	QB136	1	
11	Milling chuck	7:24 ISO40	1	
12	ISO40 taper shank type cutter bar	Φ27	1	
13	Pull rod		1	
14	Guide rod		1	
15	Bracket		1	
16	Operation Manual	Electronic edition	1	
17	Certificate of Quality		1	
18	Manual & Packing List		1	